

TOLERANCE GENERALE: ±0.3
±1°



SPECIFICATIONS

• CONSTRUCTION

Joystick handle equipped with a pushbutton and a cable.

• MATERIALS

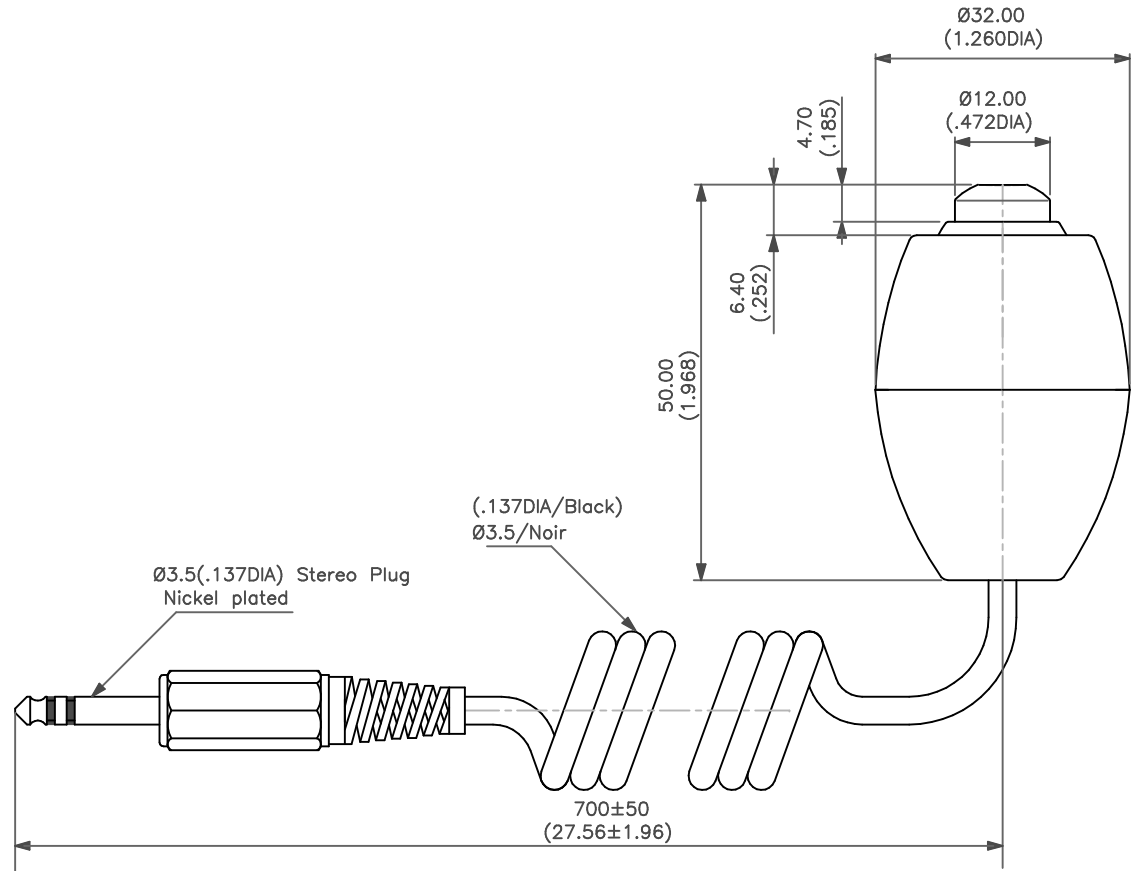
Case : Pa-6T UL94-V0
 Plunger : Pa 6.6
 Bushing/Collar : Pa 6.6
 Sealing membrane : Silicone elastomer
 Contacts : Silver, gold plated
 Terminal seal : Epoxy



• ELECTRICAL CHARACTERISTICS

Electrical function : Normally open (NO)
 Maximum ratings : 400mA 32VAC - 100mA 50VDC
 Electrical life : 500 000 cycles
 Contact resistance : 50 milliohms Max
 Insulation resistance : 1 Gigaohms min - 500 VDC
 Dielectric strength : 1000 VAC rms 50Hz

• MECHANICAL AND ENVIRONMENTAL CHARACTERISTICS

Degree of protection : IP67
 Temperature range : -40°C to +85°C
 Total travel : 1.5mm(.059)
 Operating force : 3 ±1N
 Mechanical life : 1.000.000 cycles



				MATIERE:		 Unité INTERRUPTEURS 55,av E.HERRIOT BP 1 82303 CAUSSADE CEDEX TEL.05.63.93.14.98 - Télécopie.05.63.93.19.03	DESSINE: F.Ricard
				TRAITEMENT:			DATE : 24-07-2007
				PROTECTION:			VERIFIE: D.Sire
D	Suppression dans spec Front panel sealing	12.9.08	Ricard	ECH: 3/2		Ref. Plan DIP238S	
C	Ajout specs. technl.	19.5.08	Ricard			Code Art.	
B	Mise à jour P/N	15.04.08	Ricard	Pendant Switch ISR3SAD200107			
A	Codification série Projet D071P011 en ISR3SAD200107	7.01.08	Ricard				
Rep.	Modifications	Date	Visa				

Mouser Electronics

Authorized Distributor

Click to View Pricing, Inventory, Delivery & Lifecycle Information:

[Apem:](#)

[ISR3SAD200107](#)