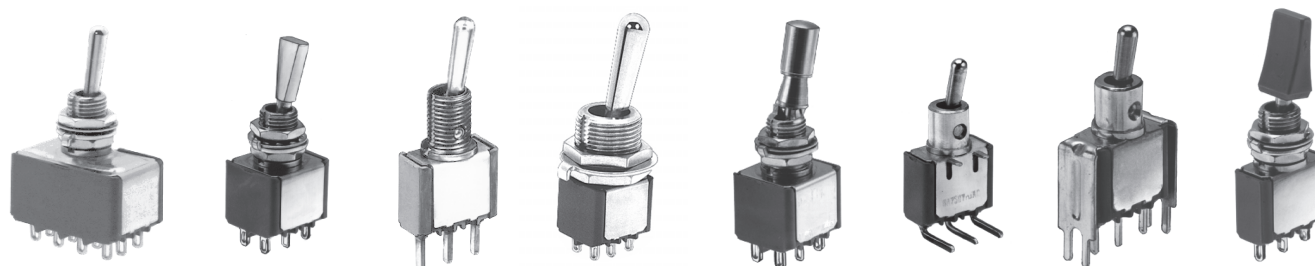


## 5000 SERIES - MINIATURE TOGGLE SWITCHES

A



### FEATURES

- Broadest selection offered in miniature switches.
- SPDT, DPDT, 3PDT & 4PDT models with numerous options.
- Numerous configurations for panel, panel & p.c. and p.c. mounting.
- Extensive agency recognition (see below).

### SPECIFICATIONS

<b>Contact ratings (resistive loads):</b>	Gold plated brass; 0.4 Volt-Amps max. at 20 V max. Silver; 3 Amps at 250 VAC, 6 Amps at 125 VAC or 4 Amps at 30 VDC Gold plated silver; 3 Amps at 250 VAC, 6 Amps at 125 VAC or 4 Amps at 30 VDC. Gold plating withstands up to 100 mA at 30 VDC.
<b>Initial contact resistance:</b>	10 milliohms maximum
<b>Insulation resistance:</b>	1000 megohms min. at 500 VDC
<b>Dielectric strength:</b>	1000 V rms min. - between terminals 1500 V rms min. - between poles and terminals and frame
<b>Electrical life:</b>	Gold: 100,000 cycles min. Silver (at full load): SP & DP - 50,000 cycles min. 3P: 40,000 cycles min. 4P: 30,000 cycles min.
<b>Operating temperature range:</b>	-40°C to +85°C

### MATERIALS

<b>Contacts &amp; Terminals:</b>	Gold plated brass, silver or gold plated silver
<b>Actuator:</b>	Chrome plated brass
<b>Bushing:</b>	Nickel plated brass
<b>Housing:</b>	Stainless steel or tin plated steel
<b>Case:</b>	Diallyl phthalate (DAP)
<b>Terminal seal:</b>	Epoxy
<b>Hardware:</b>	Panel mounting models supplied with 2 Hex Nuts .314" (8mm) across flats, 1 Locking Ring & 1 Lockwasher. See hardware section of catalog.

### AGENCY RECOGNITION



UL, CSA, CECC, LNZ, GAM T1, QPL (Europe), MUAHAG, NATO. Availability: Consult factory for details of recognized models. Marking: To order switches marked UL, CSA or CECC, complete the appropriate box of the ordering format. Other listings do not appear on the switches.

### ABOUT THIS SERIES

The material in this series is organized in the following sequence:

- Completely specified switch models:
  - Panel mounting
  - Panel and/or p.c. mounting
  - P.C. mounting
- 'build your own switch' order format
- Option drawings & special options
- Panel cut-outs & miscellaneous

### ALSO IN THIS SERIES

5000 Series switches for peak currents - for switching power supplies, DC-DC converters, motors, etc. See specifications on last page of completely specified models.

VDE approved 5000 Series models - see 55000 Series following.



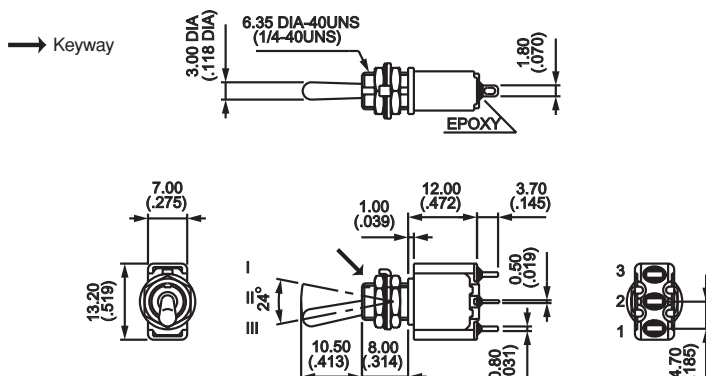
SPECIFICATIONS SUBJECT TO CHANGE WITHOUT NOTICE

# 5000 SERIES - MINIATURE TOGGLE SWITCHES

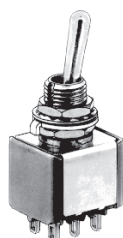
## Single pole - standard actuator - 1/4-40 threaded bushing - solder lug terminals - silver contacts



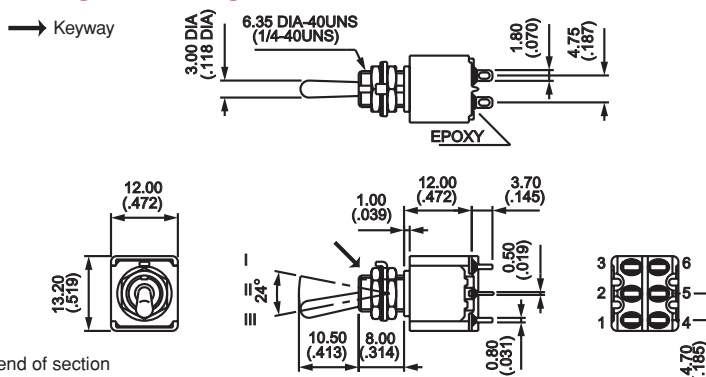
MODEL NO.	CIRCUIT		
5636AB	ON	-	ON
5639AB	ON	OFF	ON
5637AB	MOM	OFF	MOM
5638AB	ON	OFF	MOM
5632AB	ON	-	MOM
Handle position (see dwg.):	III	II	I
Terminals connected	2-3		1-2



## Double pole - standard actuator - 1/4-40 threaded bushing - solder lug terminals - silver contacts



MODEL NO.	CIRCUIT		
5646AB	ON	-	ON
5649AB	ON	OFF	ON
5647AB	MOM	OFF	MOM
5648AB	ON	OFF	MOM
5642AB	ON	-	MOM
5644THAB*	ON	ON	ON
5644TH1RAB*	ON	ON	MOM
5644TH2RAB*	MOM	ON	MOM
Handle position (see dwg.):	III	II	I
Terminals connected:	2-3		1-2
	5-6		4-5

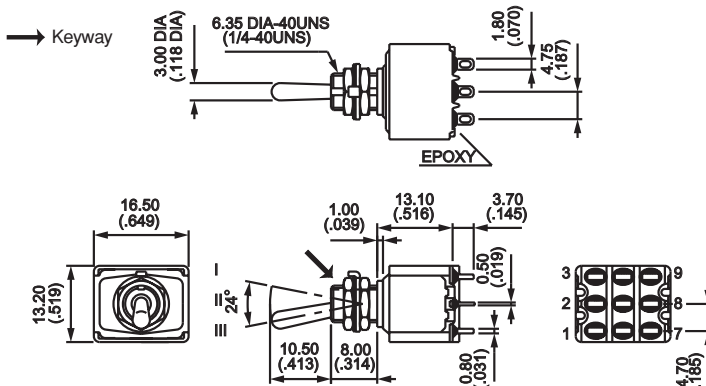


\* Function 4: SP in DP case. see diagram at end of section

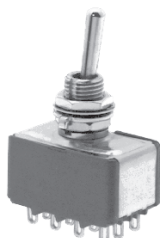
## Three pole - standard actuator - 1/4-40 threaded bushing - solder lug terminals - silver contacts



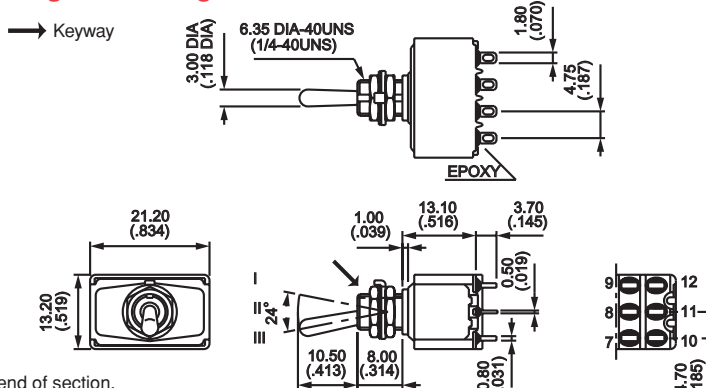
MODEL NO.	CIRCUIT		
5656AB	ON	-	ON
5659AB	ON	OFF	ON
5657AB	MOM	OFF	MOM
5658AB	ON	OFF	MOM
5652AB	ON	-	MOM
Handle position (see dwg.):	III	II	I
Terminals connected:	2-3		1-2
	5-6		4-5
	8-9		7-8



## Four pole - standard actuator - 1/4-40 threaded bushing - solder lug terminals - silver contacts



MODEL NO.	CIRCUIT		
5666AB	ON	-	ON
5669AB	ON	OFF	ON
5667AB	MOM	OFF	MOM
5668AB	ON	OFF	MOM
5662AB	ON	-	MOM
5664THAB*	ON	ON	ON
5664TH1RAB*	ON	ON	MOM
5664TH2RAB*	MOM	ON	MOM
Handle position (see dwg.):	III	II	I
Terminals connected:	2-3		1-2
	5-6		4-5
	8-9		7-8
	11-12		10-11



\* Function 4: SP in DP case. see diagram at end of section.

SPECIFICATIONS SUBJECT TO CHANGE WITHOUT NOTICE

# 5000 SERIES - MINIATURE TOGGLE SWITCHES

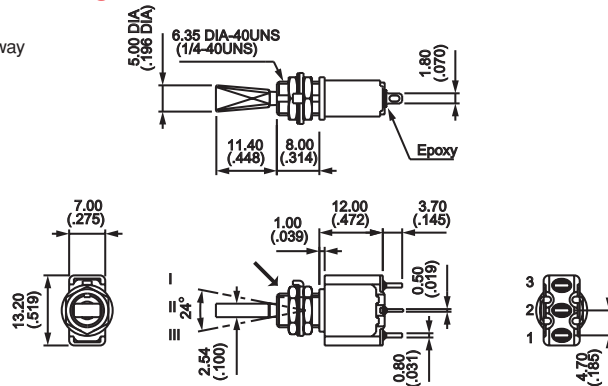
A

## Single pole - flatted actuator - 1/4-40 threaded bushing - solder lug terminals - silver contacts



MODEL NO.	CIRCUIT		
5636AB9	ON	-	ON
5639AB9	ON	OFF	ON
5637AB9	MOM	OFF	MOM
5638AB9	ON	OFF	MOM
5632AB9	ON	-	MOM
Handle position (see dwg.):	III	II	I
Terminals connected	2-3		1-2

→ Keyway

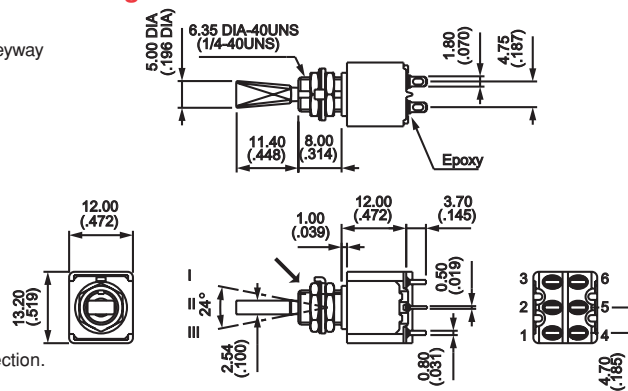


## Double pole - flatted actuator - 1/4-40 threaded bushing - solder lug terminals - silver contacts



MODEL NO.	CIRCUIT		
5646AB9	ON	-	ON
5649AB9	ON	OFF	ON
5647AB9	MOM	OFF	MOM
5648AB9	ON	OFF	MOM
5642AB9	ON	-	MOM
5644THAB9*	ON	ON	ON
5644TH1RAB9*	ON	ON	MOM
5644TH2RAB9*	MOM	ON	MOM
Handle position: (see dwg.):	III	II	I
Terminals connected:	2-3	1-2	4-5
	5-6		4-5

→ Keyway



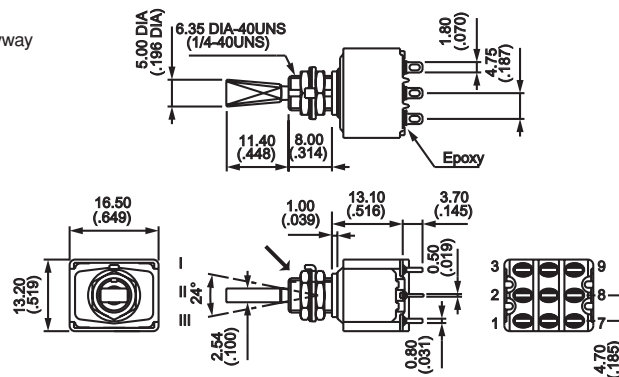
\* Function 4: SP in DP case. see diagram at end of section.

## Three pole - flatted actuator - 1/4-40 threaded bushing - solder lug terminals - silver contacts



MODEL NO.	CIRCUIT		
5656AB9	ON	-	ON
5659AB9	ON	OFF	ON
5657AB9	MOM	OFF	MOM
5658AB9	ON	OFF	MOM
5652AB9	ON	-	MOM
Handle position (see dwg.):	III	II	I
Terminals connected:	2-3	1-2	4-5
	5-6		7-8
	8-9		

→ Keyway

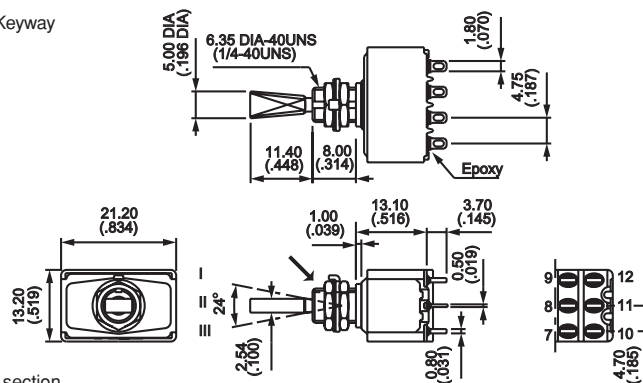


## Four pole - flatted actuator - 1/4-40 threaded bushing - solder lug terminals - silver contacts



MODEL NO.	CIRCUIT		
5666AB9	ON	-	ON
5669AB9	ON	OFF	ON
5667AB9	MOM	OFF	MOM
5668AB9	ON	OFF	MOM
5662AB9	ON	-	MOM
5664THAB9*	ON	ON	ON
5664TH1RAB9*	ON	ON	MOM
5664TH2RAB9*	MOM	ON	MOM
Handle position (see dwg.):	III	II	I
Terminals connected:	2-3	1-2	4-5
	5-6		7-8
	8-9		10-11
	11-12		

→ Keyway



\* Function 4: SP in DP case. see diagram at end of section.

SPECIFICATIONS SUBJECT TO CHANGE WITHOUT NOTICE

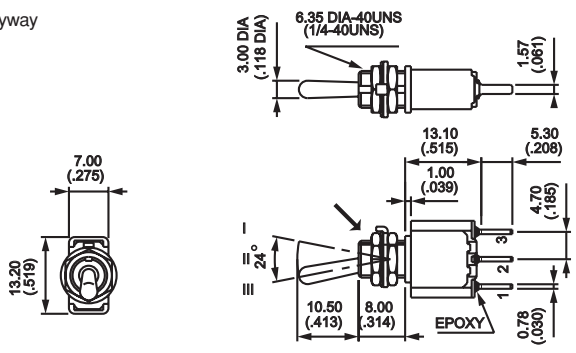
# 5000 SERIES - MINIATURE TOGGLE SWITCHES

## Single pole - standard actuator - 1/4-40 threaded bushing - quick connect terminals - silver contacts



MODEL NO.	CIRCUIT		
5236ZA	ON	-	ON
5239ZA	ON	OFF	ON
5237ZA	MOM	OFF	MOM
5238ZA	ON	OFF	MOM
5232ZA	ON	-	MOM
Handle position (see dwg.):	III	II	I
Terminals connected:	2-3		1-2

→ Keyway

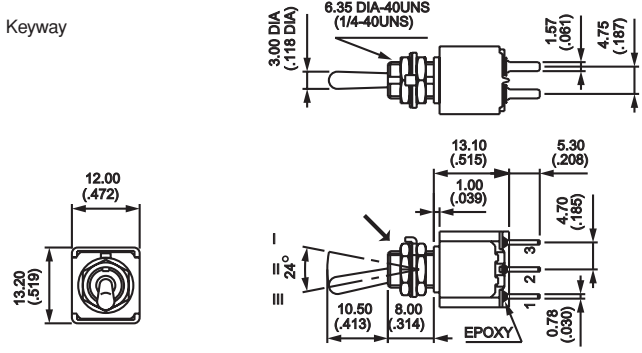


## Double pole - standard actuator - 1/4-40 threaded bushing - quick connect terminals - silver contacts



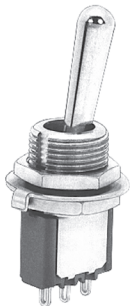
MODEL NO.	CIRCUIT		
5246ZA	ON	-	ON
5249ZA	ON	OFF	ON
5247ZA	MOM	OFF	MOM
5248ZA	ON	OFF	MOM
5242ZA	ON	-	MOM
5244THZA*	ON	ON	ON
5244TH1RZA*	ON	ON	MOM
5244TH2RZA*	MOM	ON	MOM
Handle position (see dwg.):	III	II	I
Terminals connected:	2-3		1-2
connected:	5-6		4-5

→ Keyway



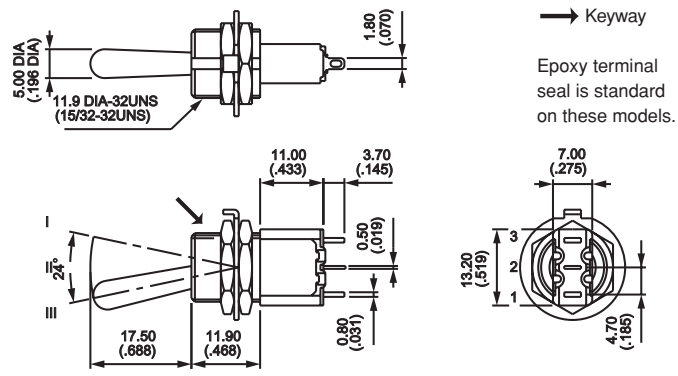
\* Function 4: SP in DP case. see diagram at end of section.

## Single pole - large actuator - 15/32-32 threaded bushing - solder lug terminals - silver contacts



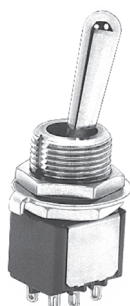
MODEL NO.	CIRCUIT		
5636MAB	ON	-	ON
5639MAB	ON	OFF	ON
5637MAB	MOM	OFF	MOM
5638MAB	ON	OFF	MOM
5632MAB	ON	-	MOM
Handle position (see dwg.):	III	II	I
Terminals connected:	2-3		1-2

→ Keyway



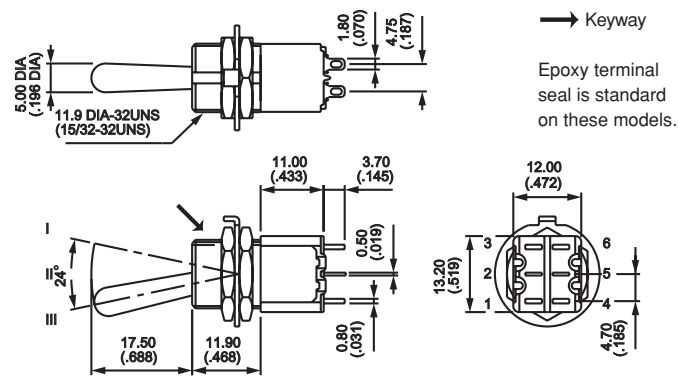
Epoxy terminal seal is standard on these models.

## Double pole - large actuator - 15/32-32 threaded bushing - solder lug terminals - silver contacts



MODEL NO.	CIRCUIT		
5646MAB	ON	-	ON
5649MAB	ON	OFF	ON
5647MAB	MOM	OFF	MOM
5648MAB	ON	OFF	MOM
5642MAB	ON	-	MOM
5644MTHAB*	ON	ON	ON
5644MTH1RAB*	ON	ON	MOM
5644MTH2RAB*	MOM	ON	MOM
Handle position (see dwg.):	III	II	I
Terminals connected:	2-3		1-2
connected:	5-6		4-5

→ Keyway



Epoxy terminal seal is standard on these models.

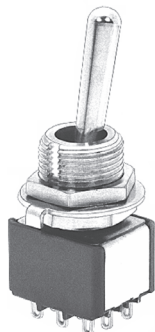
\* Function 4: SP in DP case. see diagram at end of section.

SPECIFICATIONS SUBJECT TO CHANGE WITHOUT NOTICE

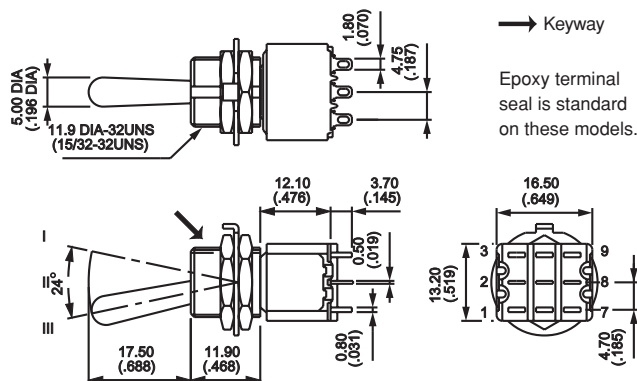
# 5000 SERIES - MINIATURE TOGGLE SWITCHES

A

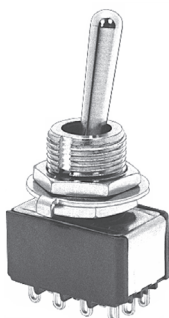
## Three pole - large actuator - 15/32-32 threaded bushing - solder lug terminals - silver contacts



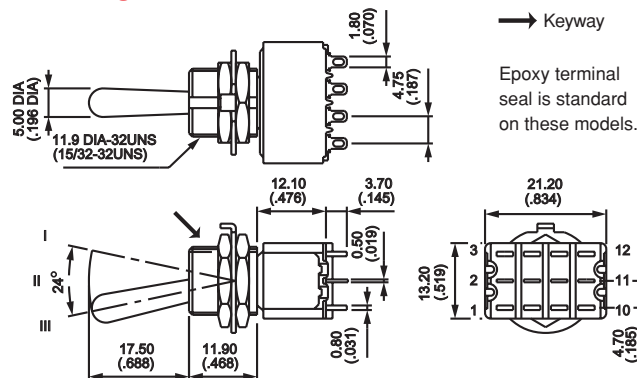
MODEL NO.	CIRCUIT		
5656MAB	ON	-	ON
5659MAB	ON	OFF	ON
5657MAB	MOM	OFF	MOM
5658MAB	ON	OFF	MOM
5652MAB	ON	-	MOM
Handle position (see dwg.):	III	II	I
Terminals connected:	2-3	5-6	1-2
	8-9	4-5	7-8



## Four pole - large actuator - 15/32-32 threaded bushing - solder lug terminals - silver contacts



MODEL NO.	CIRCUIT		
5666MAB	ON	-	ON
5669MAB	ON	OFF	ON
5667MAB	MOM	OFF	MOM
5668MAB	ON	OFF	MOM
5662MAB	ON	-	MOM
5664MTHAB*	ON	ON	ON
5664MTH1RAB*	ON	ON	MOM
5664MTH2RAB*	MOM	ON	MOM
Handle position (see dwg.):	III	II	I
Terminals connected:	2-3	5-6	1-2
	8-9	4-5	7-8
	11-12	10-11	

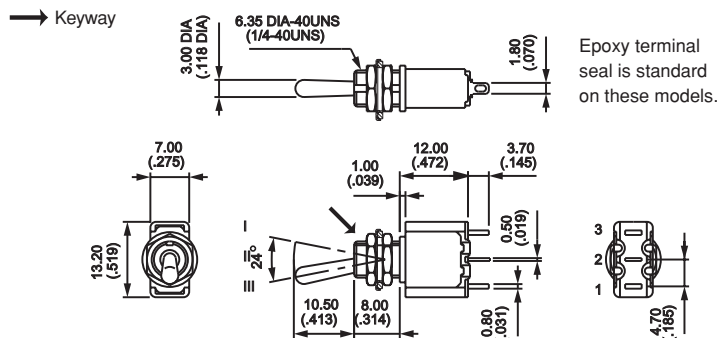


\* Function 4: SP in DP case. see diagram at end of section.

## Single pole - standard actuator - 1/4-40 splashproof bushing - solder lug terminals - silver contacts



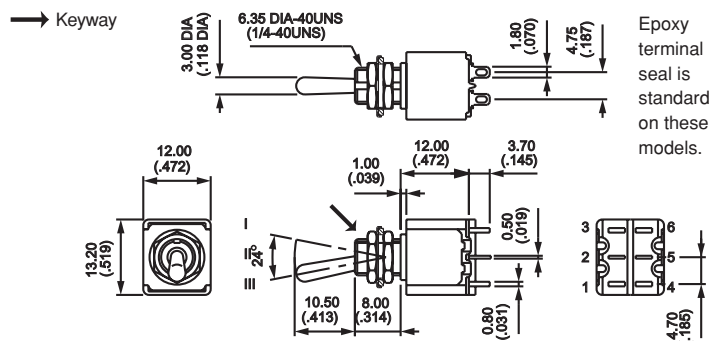
MODEL NO.	CIRCUIT		
5636AKB	ON	-	ON
5639AKB	ON	OFF	ON
5637AKB	MOM	OFF	MOM
5638AKB	ON	OFF	MOM
5632AKB	ON	-	MOM
Handle position (see dwg.):	III	II	I
Terminals connected:	2-3		1-2



## Double pole - standard actuator - 1/4-40 splashproof bushing - solder lug terminals - silver contacts



MODEL NO.	CIRCUIT		
5646AKB	ON	-	ON
5649AKB	ON	OFF	ON
5647AKB	MOM	OFF	MOM
5648AKB	ON	OFF	MOM
5642AKB	ON	-	MOM
5644THAKB*	ON	ON	ON
5644TH1RAKB*	ON	ON	MOM
5644TH2RAKB*	MOM	ON	MOM
Handle position:	III	II	I
Terminals connected:	2-3	5-6	1-2
			4-5



\* Function 4: SP in DP case. see diagram at end of section.

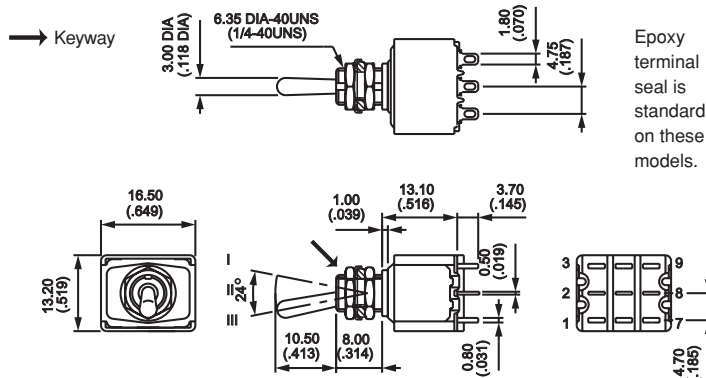
SPECIFICATIONS SUBJECT TO CHANGE WITHOUT NOTICE

# 5000 SERIES - MINIATURE TOGGLE SWITCHES

## Three pole - standard actuator - 1/4-40 splashproof bushing - solder lug terminals - silver contacts

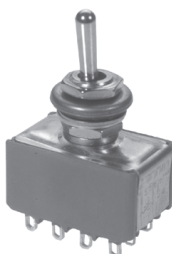


MODEL NO.	CIRCUIT		
5656AKB	ON	-	ON
5659AKB	ON	OFF	ON
5657AKB	MOM	OFF	MOM
5658AKB	ON	OFF	MOM
5652AKB	ON	-	MOM
Handle position (see dwg.):	III	II	I
Terminals connected:	2-3	5-6	1-2
	8-9	4-5	7-8

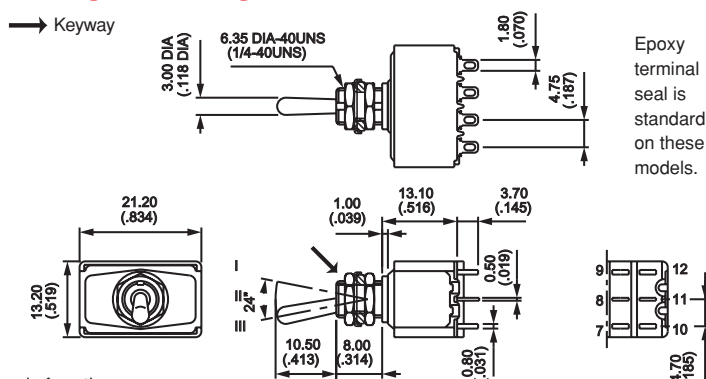


Epoxy terminal seal is standard on these models.

## Four pole - standard actuator - 1/4-40 splashproof bushing - solder lug terminals - silver contacts



MODEL NO.	CIRCUIT		
5666AKB	ON	-	ON
5669AKB	ON	OFF	ON
5667AKB	MOM	OFF	MOM
5668AKB	ON	OFF	MOM
5662AKB	ON	-	MOM
5664THAKB*	ON	ON	ON
5664TH1RAKB*	ON	ON	MOM
5664TH2RAKB*	MOM	ON	MOM
Handle position:	III	II	I
Terminals connected:	2-3	5-6	1-2
	8-9	4-5	7-8
	11-12	10-11	



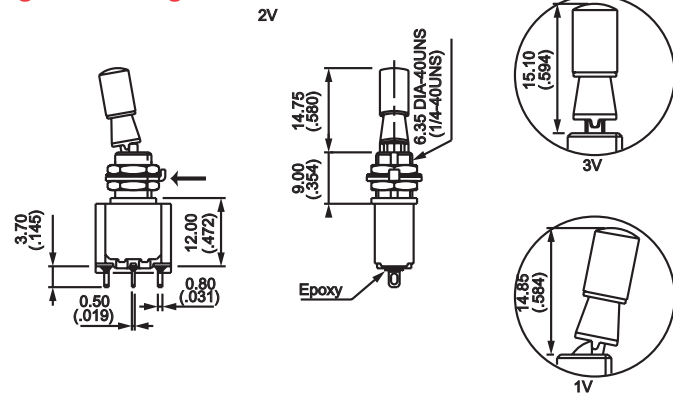
Epoxy terminal seal is standard on these models.

\* Function 4: SP in DP case. see diagram at end of section.

## Single pole - locking actuator - 1/4-40 threaded bushing - solder lug terminals - silver contacts



MODEL NO.	CIRCUIT		
1 locked position			
5636AB-1V	ON	-	ON
2 locked positions			
5636AB-2V	ON	-	ON
3 locked positions			
5639AB-3V	ON	OFF	ON
Handle position (see dwg.):	III	II	I
Terminals connected:	2-3		1-2

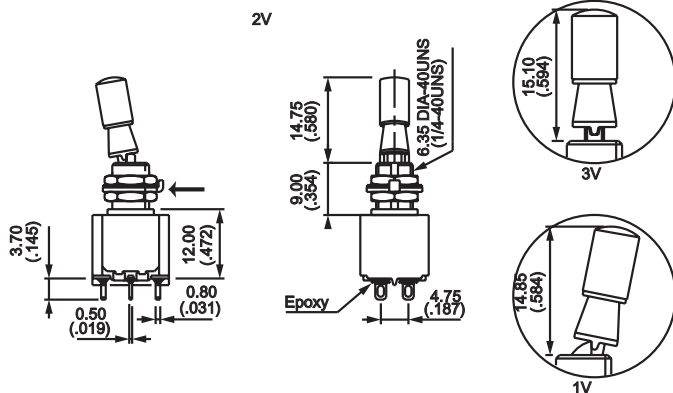


→ Keyway

## Double pole - locking actuator - 1/4-40 threaded bushing - solder lug terminals - silver contacts



MODEL NO.	CIRCUIT		
1 locked position			
5646AB-1V	ON	-	ON
2 locked positions			
5646AB-2V	ON	-	ON
3 locked positions			
5649AB-3V	ON	OFF	ON
Handle position (see dwg.):	III	II	I
Terminals connected:	2-3	5-6	1-2
			4-5



→ Keyway

SPECIFICATIONS SUBJECT TO CHANGE WITHOUT NOTICE

# 5000 SERIES - MINIATURE TOGGLE SWITCHES

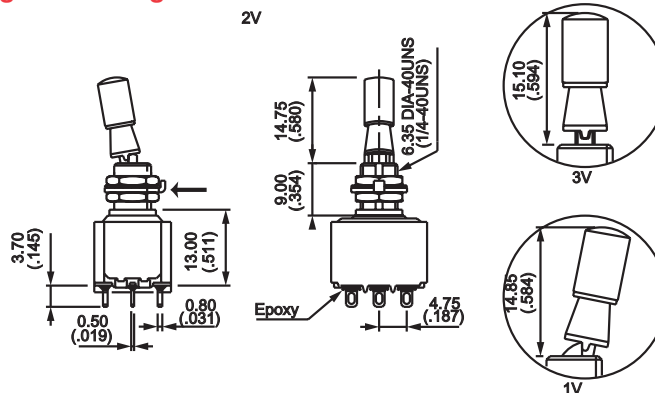
A

## Three pole - locking actuator - 1/4-40 threaded bushing - solder lug terminals - silver contacts



MODEL NO.	CIRCUIT		
1 locked position <b>5656AB-1V</b>	ON	-	ON
2 locked positions <b>5656AB-2V</b>	ON	-	ON
3 locked positions <b>5659AB-3V</b>	ON	OFF	ON
Handle position (see dwg.):	III	II	I
Terminals connected:	2-3 5-6	1-2 4-5	8-9 7-8

→ Keyway

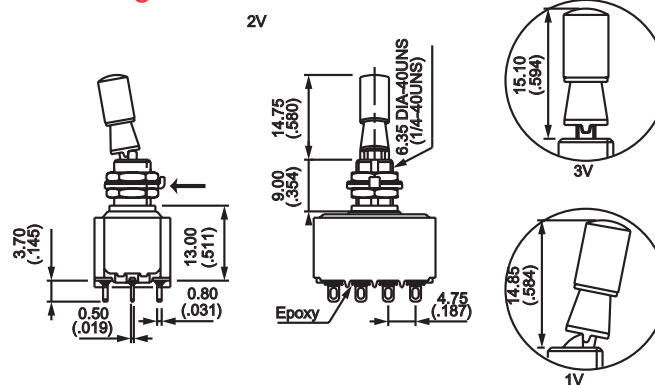


## Four pole - locking actuator - 1/4-40 threaded bushing - solder lug terminals - silver contacts



MODEL NO.	CIRCUIT		
1 locked position <b>5666AB-1V</b>	ON	-	ON
2 locked positions <b>5666AB-2V</b>	ON	-	ON
3 locked positions <b>5669AB-3V</b>	ON	OFF	ON
Handle position (see dwg.):	III	II	I
Terminals connected:	2-3 5-6 8-9	1-2 4-5 7-8	10-11

→ Keyway



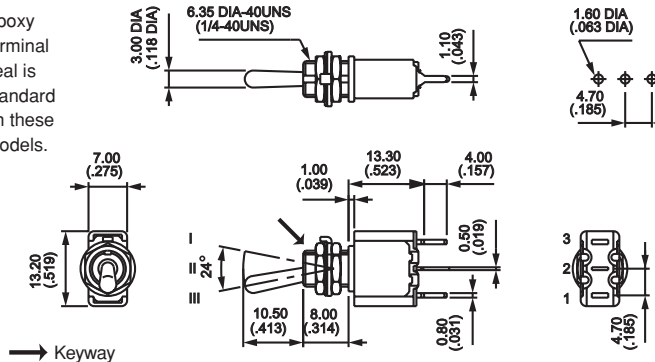
## Single pole - standard actuator - 1/4-40 threaded bushing - straight p.c. terminals - gold or silver contacts



MODEL NO.	CIRCUIT		
<b>5236CDB</b>	ON	-	ON
<b>5239CDB</b>	ON	OFF	ON
<b>5237CDB</b>	MOM	OFF	MOM
<b>5238CDB</b>	ON	OFF	MOM
<b>5232CDB</b>	ON	-	MOM
Handle position (see dwg.):	III	II	I
Terminals connected:	2-3	1-2	

Note: above models have gold contacts. Substitute 'A' for 'CD' for silver contacts.

Epoxy terminal seal is standard on these models.



→ Keyway

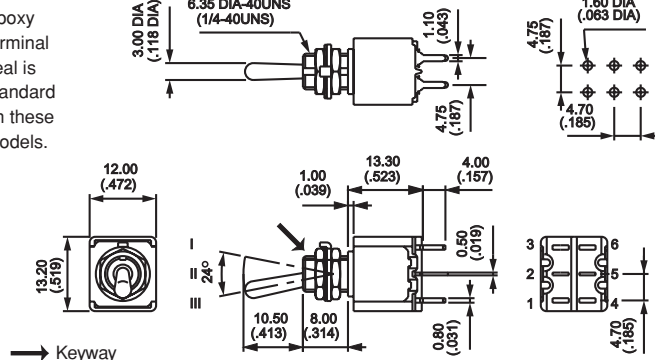
## Double pole - standard actuator - 1/4-40 threaded bushing - straight p.c. terminals - gold or silver contacts



MODEL NO.	CIRCUIT		
<b>5246CDB</b>	ON	-	ON
<b>5249CDB</b>	ON	OFF	ON
<b>5247CDB</b>	MOM	OFF	MOM
<b>5248CDB</b>	ON	OFF	MOM
<b>5242CDB</b>	ON	-	MOM
<b>5244THCDB*</b>	ON	ON	ON
<b>5244TH1RCDB*</b>	ON	ON	MOM
<b>5244TH2RCDB*</b>	MOM	ON	MOM
Handle position:	III	II	I
Terminals connected:	2-3 5-6	1-2 4-5	

\* Function 4: SP in DP case. see diagram at end of section. Note: above models have gold contacts. Substitute 'A' for 'CD' for silver contacts.

Epoxy terminal seal is standard on these models.



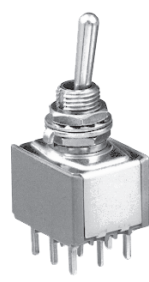
→ Keyway

SPECIFICATIONS SUBJECT TO CHANGE WITHOUT NOTICE

A

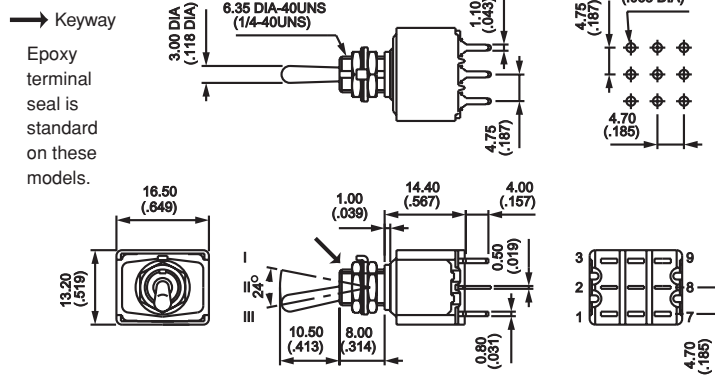
# 5000 SERIES - MINIATURE TOGGLE SWITCHES

## Three pole - standard actuator - 1/4-40 threaded bushing - straight p.c. terminals - gold or silver contacts

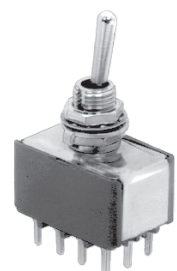


MODEL NO.	CIRCUIT		
5256CDB	ON	-	ON
5259CDB	ON	OFF	ON
5257CDB	MOM	OFF	MOM
5258CDB	ON	OFF	MOM
5252CDB	ON	-	MOM
Handle position (see dwg.) :	III	II	I
Terminals connected:	2-3	5-6	1-2
	8-9	4-5	7-8

Note: above models have gold contacts.  
Substitute 'A' for 'CD' for silver contacts.



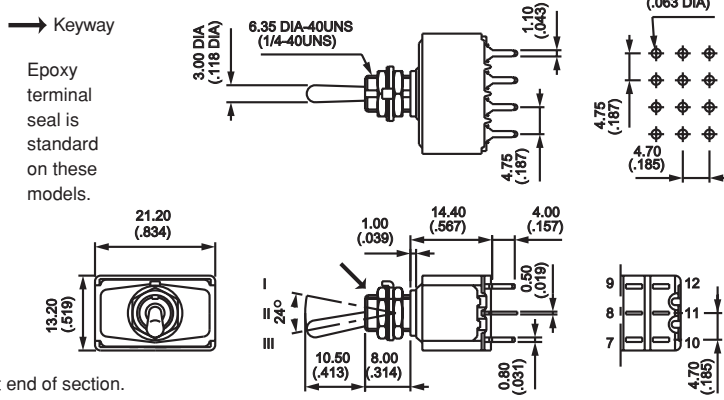
## Four pole - standard actuator - 1/4-40 threaded bushing - straight p.c. terms. - gold or silver contacts



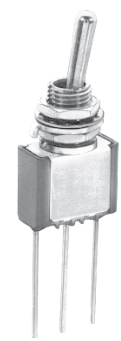
MODEL NO.	CIRCUIT		
5266CDB	ON	-	ON
5269CDB	ON	OFF	ON
5267CDB	MOM	OFF	MOM
5268CDB	ON	OFF	MOM
5262CDB	ON	-	MOM
5264THCDB*	ON	ON	ON
5264TH1RCDB*	ON	ON	MOM
5264TH2RCDB*	MOM	ON	MOM
Handle position (see dwg.) :	III	II	I
Terminals connected:	2-3	5-6	1-2
	8-9	4-5	7-8
	11-12	10-11	

Note: Listed models have gold contacts. Substitute 'A' for 'CD' for silver contacts.

\* Function 4: SP in DP case. see diagram at end of section.

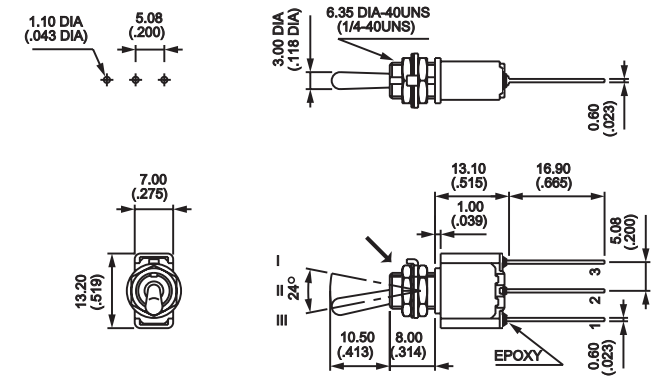


## Single pole - standard actuator - 1/4-40 threaded bushing - wire-wrap terminals - gold or silver contacts



MODEL NO.	CIRCUIT		
5236MIWRCD	ON	-	ON
5239MIWRCD	ON	OFF	ON
5237MIWRCD	MOM	OFF	MOM
5238MIWRCD	ON	OFF	MOM
5232MIWRCD	ON	-	MOM
Handle position (see dwg.) :	III	II	I
Terminals connected:	2-3		1-2

Note: above models have gold contacts.  
Substitute 'A' for 'CD' for silver contacts.



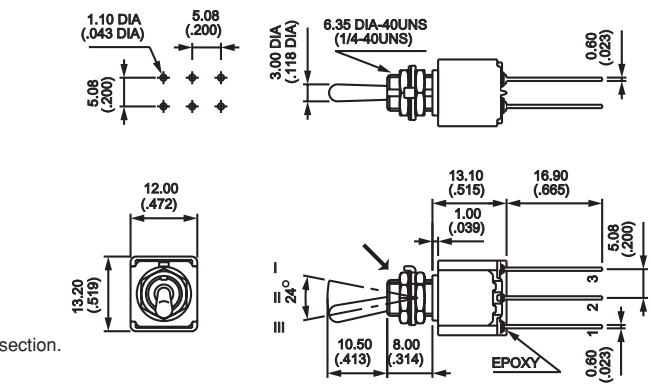
## Double pole - standard actuator - 1/4-40 threaded bushing - wire-wrap terminals - gold or silver contacts



MODEL NO.	CIRCUIT		
5246MIWRCD	ON	-	ON
5249MIWRCD	ON	OFF	ON
5247MIWRCD	MOM	OFF	MOM
5248MIWRCD	ON	OFF	MOM
5242MIWRCD	ON	-	MOM
5244MIWRTHCD*	ON	ON	ON
5244MIWRTH1RCDB*	ON	ON	MOM
5244MIWRTH2RCDB*	MOM	ON	MOM
Handle position:	III	II	I
Terminals connected:	2-3	5-6	1-2
			4-5

Note: Listed models have gold contacts. Substitute 'A' for 'CD' for silver contacts.

\* Function 4: SP in DP case. see diagram at end of section.



SPECIFICATIONS SUBJECT TO CHANGE WITHOUT NOTICE



# 5000 SERIES - MINIATURE TOGGLE SWITCHES

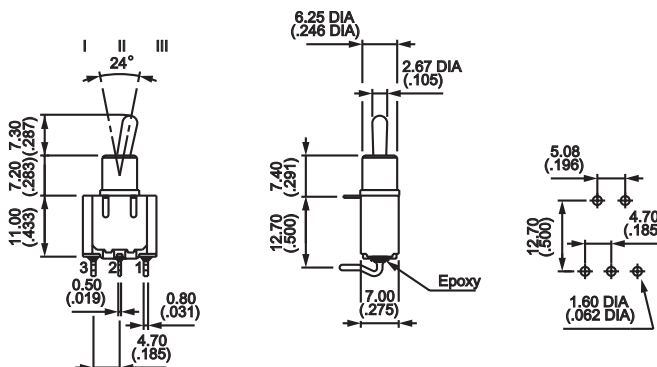
A

## Single pole - short actuator - 1/4" smooth bushing - horizontal rt. angle p.c. terms. - gold or silver contacts



MODEL NO.	CIRCUIT		
5236WCDB16X404	ON	-	ON
5239WCDB16X404	ON	OFF	ON
5237WCDB16X404	MOM	OFF	MOM
5238WCDB16X404	ON	OFF	MOM
5232WCDB16X404	ON	-	MOM
Handle position (see dwg.):	III	II	I
Terminals connected:	2-3	1-2	

Note: above models have gold contacts.  
Substitute 'A' for 'CD' for silver contacts.



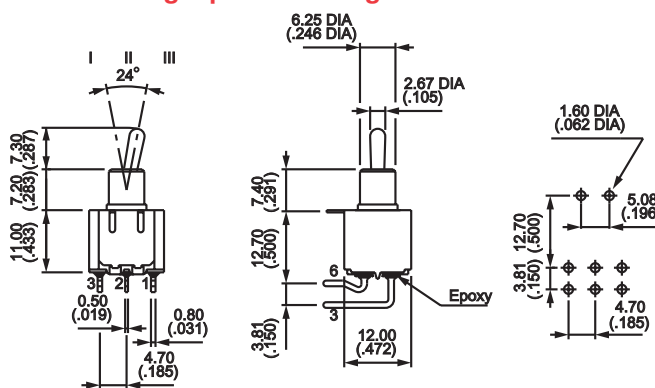
## Double pole - short actuator - 1/4" smooth bushing - horizontal rt. angle p.c. terms. - gold or silver contacts



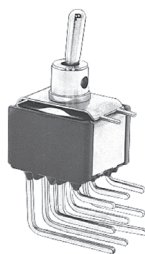
MODEL NO.	CIRCUIT		
5246WCDB16X404	ON	-	ON
5249WCDB16X404	ON	OFF	ON
5247WCDB16X404	MOM	OFF	MOM
5248WCDB16X404	ON	OFF	MOM
5242WCDB16X404	ON	-	MOM
5244WTHCDB16X404*	ON	ON	ON
5244WTH1RCDB16X404*	ON	ON	MOM
5244WTH2RCDB16X404*	MOM	ON	MOM
Handle position: (see dwg.):	III	II	I
Terminals connected:	2-3	1-2	4-5

Note: Listed models have gold contacts. Substitute 'A' for 'CD' for silver contacts.

\* Function 4: SP in DP case. see diagram at end of section.

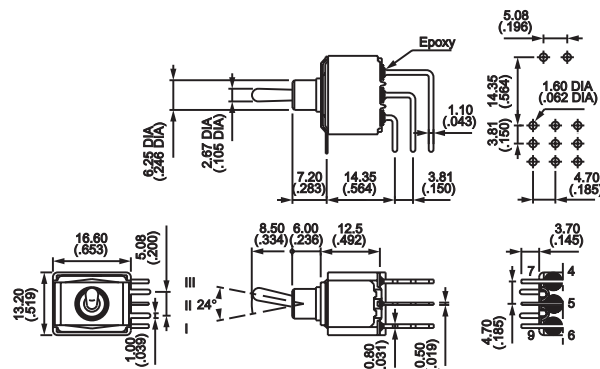


## Three pole - short actuator - 1/4" smooth bushing - horizontal rt. angle p.c. terms. - gold or silver contacts



MODEL NO.	CIRCUIT		
5256WCDB16	ON	-	ON
5259WCDB16	ON	OFF	ON
5257WCDB16	MOM	OFF	MOM
5258WCDB16	ON	OFF	MOM
5252WCDB16	ON	-	MOM
Handle position (see dwg.):	III	II	I
Terminals connected:	2-3	1-2	4-5
	8-9	7-8	

Note: above models have gold contacts.  
Substitute 'A' for 'CD' for silver contacts.

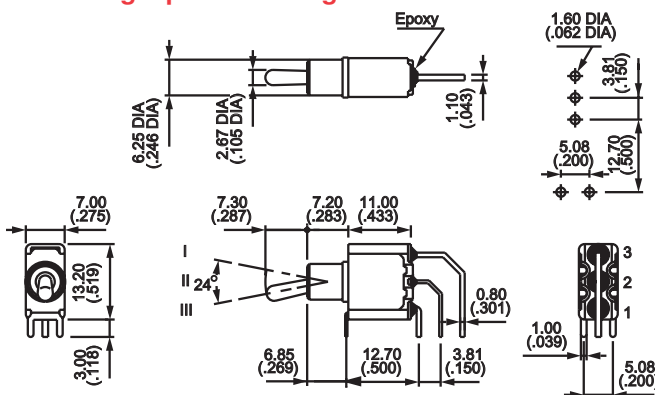


## Single pole - short actuator - 1/4" smooth bushing - vertical rt. angle p.c. terms. - gold or silver contacts



MODEL NO.	CIRCUIT		
5236WWCDB16X445	ON	-	ON
5239WWCDB16X445	ON	OFF	ON
5237WWCDB16X445	MOM	OFF	MOM
5238WWCDB16X445	ON	OFF	MOM
5232WWCDB16X445	ON	-	MOM
Handle position (see dwg.):	III	II	I
Terminals connected:	2-3	1-2	

Note: above models have gold contacts.  
Substitute 'A' for 'CD' for silver contacts.



# 5000 SERIES - MINIATURE TOGGLE SWITCHES

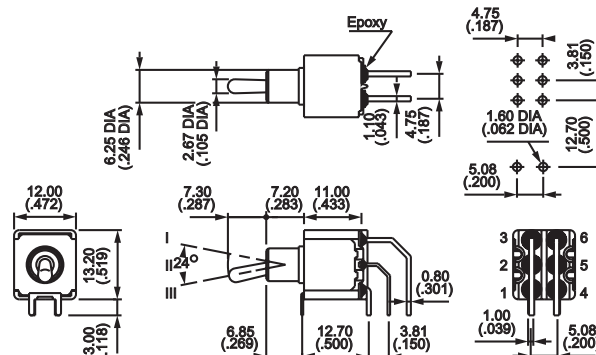
## Double pole - short actuator - 1/4" smooth bushing - vertical rt. angle p.c. terms. - gold or silver contacts



MODEL NO.	CIRCUIT		
5246WWCDB16X445	ON	-	ON
5249WWCDB16X445	ON	OFF	ON
5247WWCDB16X445	MOM	OFF	MOM
5248WWCDB16X445	ON	OFF	MOM
5242WWCDB16X445	ON	-	MOM
5244WWTHCDB16X445*	ON	ON	ON
5244WWTH1RCDB16X445*	ON	ON	MOM
5244WWTH2RCDB16X445*	MOM	ON	MOM
Handle position:	III	II	I
Terminals connected:	2-3	1-2	
	5-6	4-5	

Note: Listed models have gold contacts. Substitute 'A' for 'CD' for silver contacts.

\* Function 4: SP in DP case. see diagram at end of section.

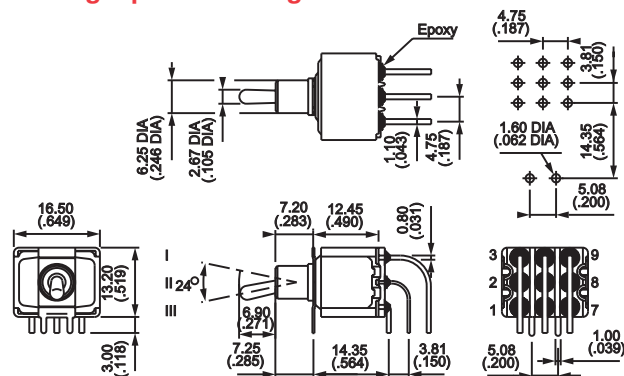


## Three pole - short actuator - 1/4" smooth bushing - vertical rt. angle p.c. terms. - gold or silver contacts

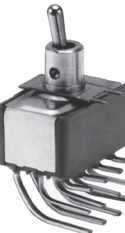


MODEL NO.	CIRCUIT		
5256WWCDB16X514	ON	-	ON
5259WWCDB16X514	ON	OFF	ON
5257WWCDB16X514	MOM	OFF	MOM
5258WWCDB16X514	ON	OFF	MOM
5252WWCDB16X514	ON	-	MOM
Handle position:	III	II	I
Terminals connected:	2-3	1-2	
	5-6	4-5	
	8-9	7-8	

Note: above models have gold contacts. Substitute 'A' for 'CD' for silver contacts.



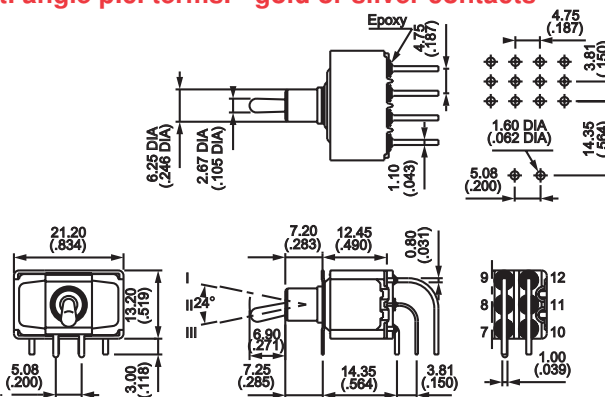
## Four pole - short actuator - 1/4" smooth bushing - vertical rt. angle p.c. terms. - gold or silver contacts



MODEL NO.	CIRCUIT		
5266WWCDB16X514	ON	-	ON
5269WWCDB16X514	ON	OFF	ON
5267WWCDB16X514	MOM	OFF	MOM
5268WWCDB16X514	ON	OFF	MOM
5262WWCDB16X514	ON	-	MOM
5264WWTHCDB16X514*	ON	ON	ON
5264WWTH1RCDB16X514*	ON	ON	MOM
5264WWTH2RCDB16X514*	MOM	ON	MOM
Handle position:	III	II	I
Terminals connected:	2-3	1-2	
	5-6	4-5	
	8-9	7-8	
	11-12	10-11	

Note: Listed models have gold contacts. Substitute 'A' for 'CD' for silver contacts.

\* Function 4: SP in DP case. see diagram at end of section.

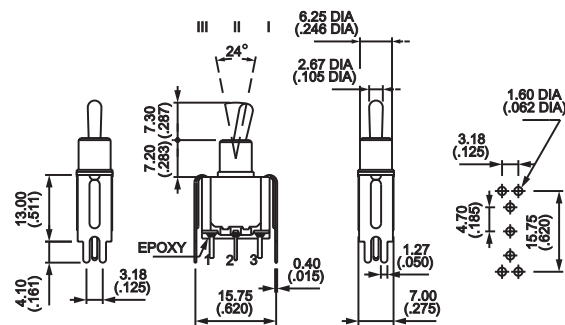


## Single pole - short actuator - 1/4" smooth bush. - straight p.c. terms. - bracket mtg. - gold or silver contacts



MODEL NO.	CIRCUIT		
5236YCDB16X445	ON	-	ON
5239YCDB16X445	ON	OFF	ON
5237YCDB16X445	MOM	OFF	MOM
5238YCDB16X445	ON	OFF	MOM
5232YCDB16X445	ON	-	MOM
Handle position (see dwg.):	III	II	I
Terminals connected:	2-3	1-2	

Note: above models have gold contacts. Substitute 'A' for 'CD' for silver contacts.

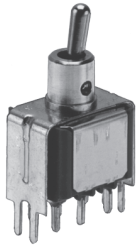


SPECIFICATIONS SUBJECT TO CHANGE WITHOUT NOTICE

# 5000 SERIES - MINIATURE TOGGLE SWITCHES

A

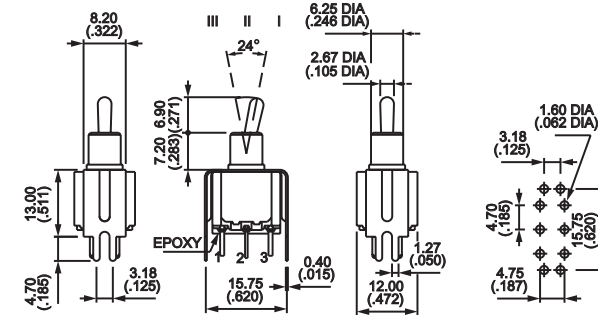
## Double pole - short actuator - 1/4" smooth bush. - straight p.c. terms. - bracket mtg. - gold or silver contacts



MODEL NO.	CIRCUIT		
5246YCDB16X445	ON	-	ON
5249YCDB16X445	ON	OFF	ON
5247YCDB16X445	MOM	OFF	MOM
5248YCDB16X445	ON	OFF	MOM
5242YCDB16X445	ON	-	MOM
5244YTHCDB16X445*	ON	ON	ON
5244YTH1RCDB16X445*	ON	ON	MOM
5244YTH2RCDB16X445*	MOM	ON	MOM
Handle position:	III	II	I
Terminals connected:	2-3	1-2	4-5

Note: Listed models have gold contacts. Substitute 'A' for 'CD' for silver contacts.

\* Function 4: SP in DP case. see diagram at end of section.

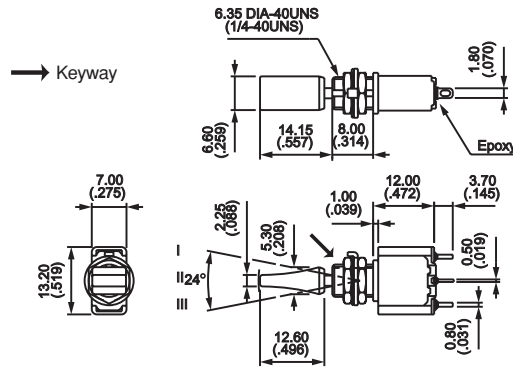


## Single pole - paddle actuator - 1/4" threaded bushing - solder lug terminals - silver contacts



MODEL NO.	CIRCUIT		
5636AB4N+U242N	ON	-	ON
5639AB4N+U242N	ON	OFF	ON
5637AB4N+U242N	MOM	OFF	MOM
5638AB4N+U242N	ON	OFF	MOM
5632AB4N+U242N	ON	-	MOM
Handle position:	III	II	I
Terminals connected:	2-3	1-2	

Above models have black paddle.

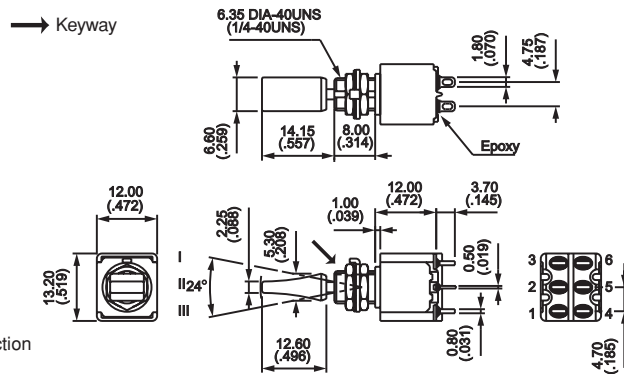


## Double pole - paddle actuator - 1/4" threaded bushing - solder lug terminals - silver contacts



MODEL NO.	CIRCUIT		
5646AB4N+U242N	ON	-	ON
5649AB4N+U242N	ON	OFF	ON
5647AB4N+U242N	MOM	OFF	MOM
5648AB4N+U242N	ON	OFF	MOM
5642AB4N+U242N	ON	-	MOM
5644THAB4N+U242N*	ON	ON	ON
5644TH1RAB4N+U242N*	ON	ON	MOM
5644TH2RAB4N+U242N*	MOM	ON	MOM
Handle position:	III	II	I
Terminals connected:	2-3	1-2	4-5

\*Function 4: SP in DP case. see diagram at end of section. Above models have black paddle.



SPECIFICATIONS SUBJECT TO CHANGE WITHOUT NOTICE

# 5000 SERIES - MINIATURE TOGGLE SWITCHES

## 5000 Series switches for peak currents

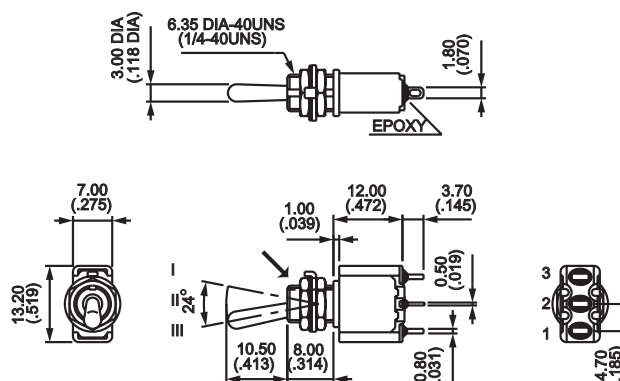
- 2-120 amps at 60 VDC - 10,000 cycles minimum.
- 3-40 amps at 125/250 VAC - 10,000 cycles minimum.
- Silver nickel alloy (AgNi) contacts.

Other specifications same as 5000 Series.  
Also see 'Switches for Peak Currents' technical page in rear of catalog.

### Single pole - standard actuator - 1/4-40 threaded bushing - solder lug terminals

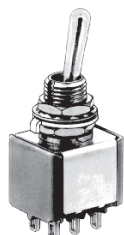


MODEL NO. 5636ABX814  
CIRCUIT ON - ON

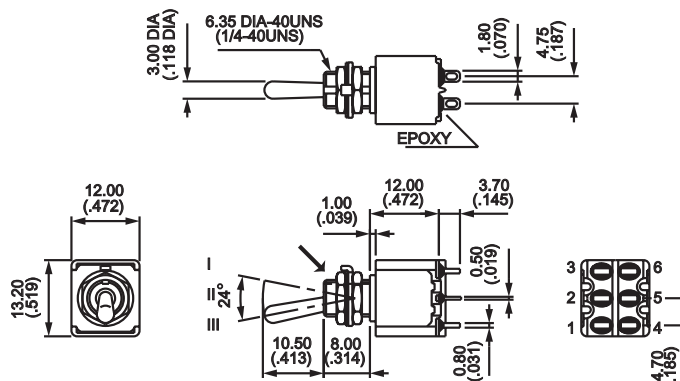


→ Keyway

### Double pole - standard actuator - 1/4-40 threaded bushing - solder lug terminals



MODEL NO. 5646ABX814  
CIRCUIT ON - ON



→ Keyway

SPECIFICATIONS SUBJECT TO CHANGE WITHOUT NOTICE

# 5000 SERIES - MINIATURE TOGGLE SWITCHES

A

**Additional ordering information:** Commonly ordered models are shown on prior pages with complete model numbers and specifications. Below is an order format that enables you to 'build your own switch' and specify the correct switch model number by simply selecting from all available options shown and filling in the boxes.

## 'BUILD YOUR OWN SWITCH' ORDER FORMAT

Fill in boxes with selections shown for **Model Structure**, then add **Options** selections for complete model number. Allowable options are shown below each respective box. Note 'NONE' indicates box may be left empty.

### Model Structure:

Series	Terminals & bushings	Number of poles	Electrical functions	Terminals	(For function 4 models only) connections /functions	Contact materials
5						
	3 Single pole 4 Double pole 5 Three pole 6 Four pole  2 Straight p.c., right angle, quick connect or wire-wrap terminals with 1/4-40 (6.35mm) threaded bushing. 6 Solder lug terminals with 1/4-40 (6.35mm) or 15/32-32 (11.9mm) threaded bushings.	3 Single pole 4 Double pole 5 Three pole 6 Four pole	6 ON - ON 9 ON OFF ON 7 MOM OFF MOM 8 ON OFF MOM 2 ON - MOM 4* ON ON ON 4* ON ON MOM 4* MOM ON MOM * specify selection from 'connections/ functions' box also - (For double & four pole only).	(NONE) M Solder lugs with 15/32-32 (11.9mm) bushing M I W R Wire-wrap (epoxy term. seal standard) W Horizontal right angle p.c. W W Vertical right angle p.c. Y Straight p.c. w/mounting brk't. Z Quick connect (epoxy term. seal standard)	(NONE) T H ON ON ON T H 1 R ON ON MOM T H 2 R MOM ON MOM	A Silver A D Silver, gold plated C D Brass, gold plated

### Options:

Black finish	Sealing	Actuators	Agency Recognition	Special options	Caps and paddles
(NONE) G Matte black finish on bushing, actuator & hardware.	(NONE) Unless standard - (see Terminals above) B Epoxy sealed terminals K Front panel sealing with o-ring & gasket. K B Both of above	(NONE) 1 3 Standard 2 7 8 Flat 9 Flat 1 2 Flat 1 6 1 7 2 1 Insulated 2 2 2 3 2 4 Large (long) 2 5 2 7 Large (short) 4 N For paddles only 1 V Locking (1 position) 2 V Locking (2 positions) 3 V Locking (3 positions) (see actuator drawings).	(NONE) U L C S A V D E L N Z Tele-communications listing G A M Military listing (consult factory for details of approved models).	(NONE) See listing on pg. C39	(NONE) Caps U 2 7 0 U 1 7 1 0 U 6 4 0 Paddles U 2 4 0 N U 2 9 0 N U 3 9 0 N (see drawings and color codes).

Examples of completely specified model numbers:  
**5636AB, 5244WWTH2RAB16UL**

Although most combinations of options are available, some may result in incompatibilities. Consult factory if there is any question.

SPECIFICATIONS SUBJECT TO CHANGE WITHOUT NOTICE

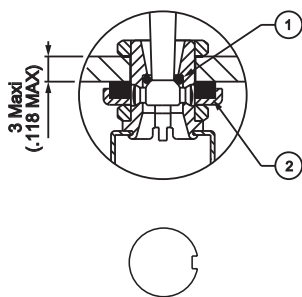
# 5000 SERIES - MINIATURE TOGGLE SWITCHES

## OPTION DRAWINGS

### SEALING

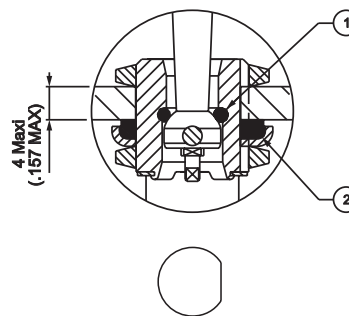
- (NONE)** Indicates no terminal sealing.
- B** Indicates epoxy terminal sealing.  
Note: for models with 'Z' and 'MIWR' epoxy terminal sealing is standard and need not be specified with 'B'.
- K** Indicates front panel sealing with o-ring (1) and gasket (2) to protect the switch from water and dust. Withstands 1 bar pressure. Available on models with 1/4" (6.35mm) or 15/32" (11.9mm) threaded bushings. Not available with actuators 8,9, 12, 22 or 23.
- K B** Includes both **B** and **K** above.

**K** with 1/4" (6.35mm) keyway bushing



Includes gasket washer **U360**

**K** with 15/32" (11.9mm) flatted bushing



Includes gasket washer **U60**

### ACTUATORS for 1/4" (6.35mm) threaded bushings

<p><b>13</b> Standard</p>	<p><b>2</b></p>	<p><b>4N</b> For use with paddles only</p>
<p><b>8</b> Not available with option K</p>	<p><b>9</b> Not available with option K</p>	<p><b>12</b> Not available with option K</p>
<p><b>16</b></p>	<p><b>17</b></p>	<p><b>21</b> Specify <b>U640</b> insulative extension with this actuator and replace '0' with color selection below.</p> <ul style="list-style-type: none"> <li>1 blue    2 black</li> <li>3 green   4 grey</li> <li>5 yellow   6 red</li> <li>7/1 white   9 orange</li> </ul>
<p><b>22</b> Not available with option K</p>	<p><b>23</b> Not available with option K</p>	<p><b>25</b> Not available with option K</p>

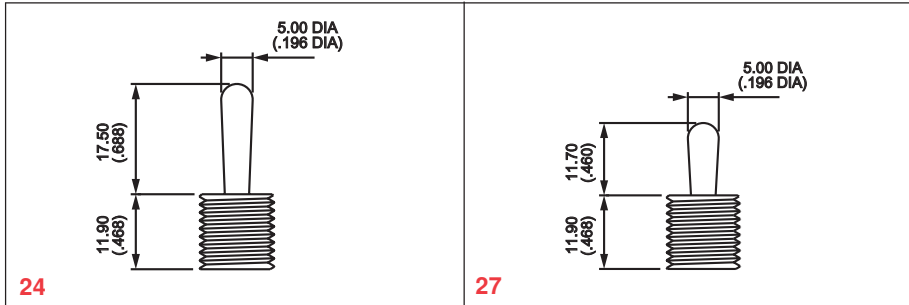
SPECIFICATIONS SUBJECT TO CHANGE WITHOUT NOTICE

# 5000 SERIES - MINIATURE TOGGLE SWITCHES

A

## OPTION DRAWINGS (cont'd.)

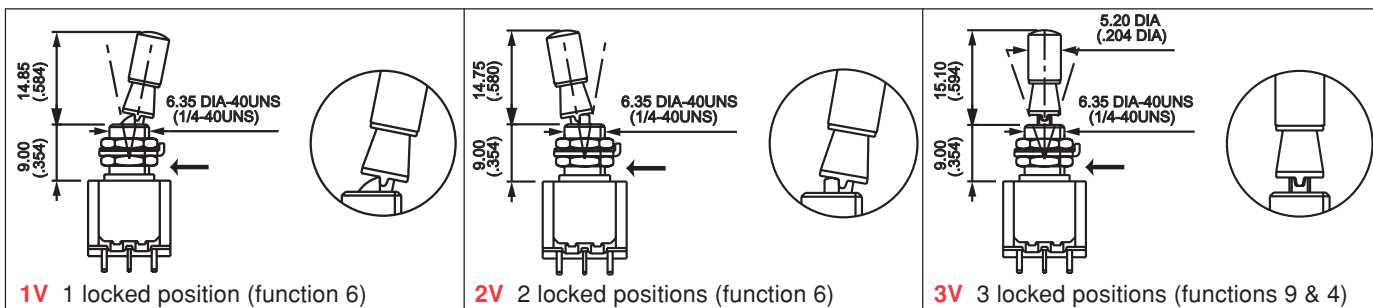
### ACTUATORS for 15/32" (11.9mm) threaded bushings



24

27

### LOCKING ACTUATORS for 1/4" (6.35mm) threaded bushings Other locking actuator styles available - consult factory.

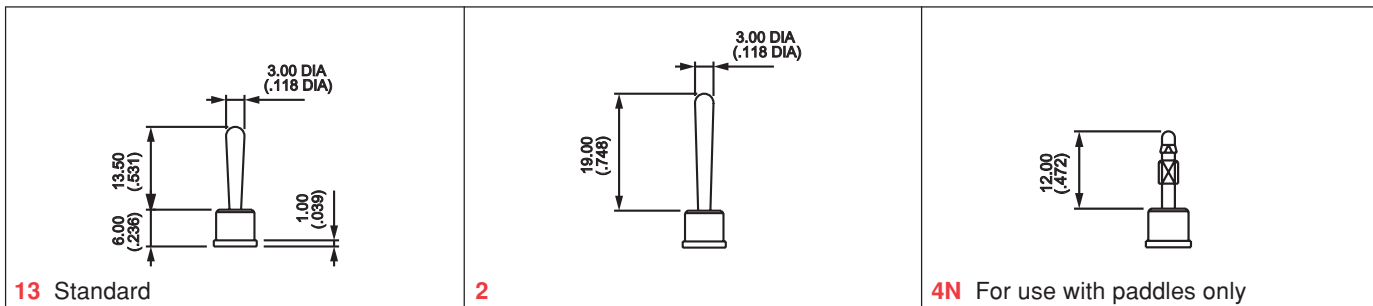


1V 1 locked position (function 6)

2V 2 locked positions (function 6)

3V 3 locked positions (functions 9 & 4)

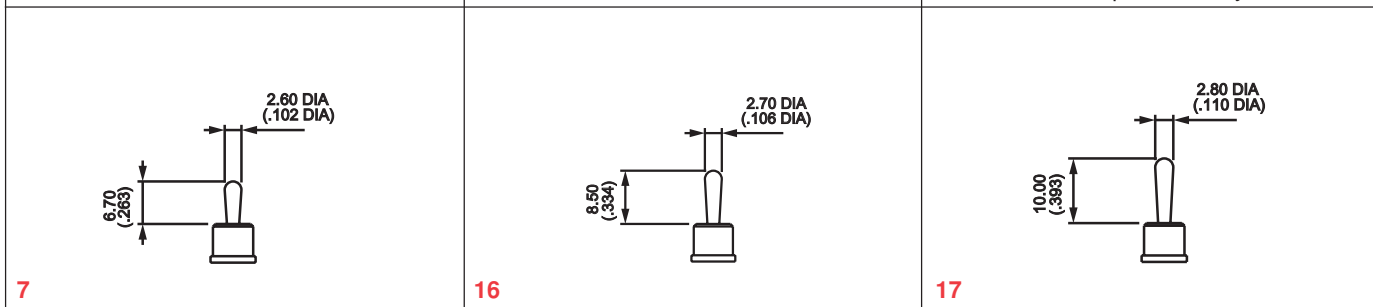
### ACTUATORS for smooth bushing models (W, WW & Y)



13 Standard

2

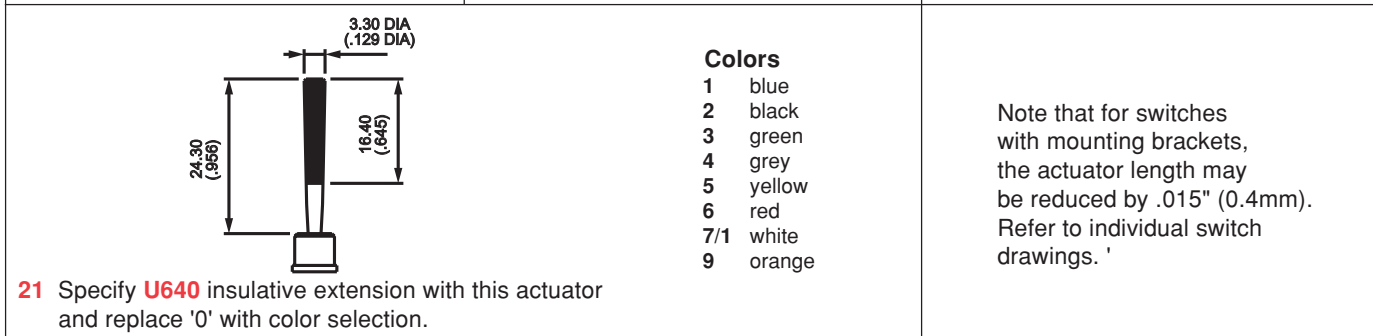
4N For use with paddles only



7

16

17



21 Specify **U640** insulative extension with this actuator and replace '0' with color selection.

#### Colors

- 1 blue
- 2 black
- 3 green
- 4 grey
- 5 yellow
- 6 red
- 7/1 white
- 9 orange

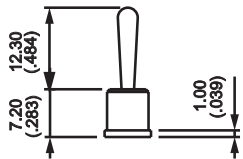
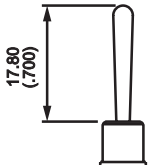
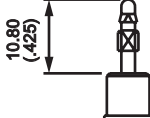
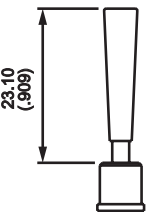
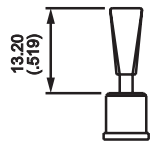
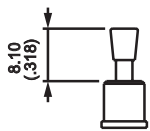
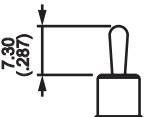
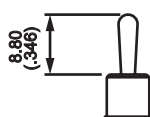
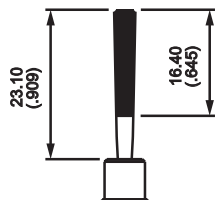
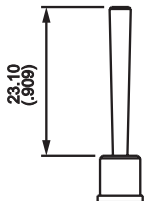
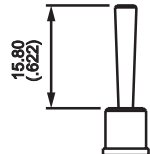
Note that for switches with mounting brackets, the actuator length may be reduced by .015" (0.4mm). Refer to individual switch drawings.'

SPECIFICATIONS SUBJECT TO CHANGE WITHOUT NOTICE

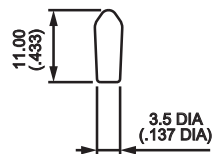
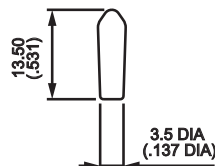
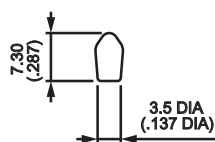
# 5000 SERIES - MINIATURE TOGGLE SWITCHES

## OPTION DRAWINGS (cont'd.)

**ACTUATORS** for switches with X404 and X445 options (see 'special options' pages following)

 <p><b>13</b> Standard</p>	 <p><b>2</b></p>	 <p><b>4N</b> For use with paddles only</p>
 <p><b>8</b> Not available w/function 2 (ON - MOM)</p>	 <p><b>9</b> Not available w/function 2 (ON - MOM)</p>	 <p><b>12</b> Not available w/function 2 (ON - MOM)</p>
 <p><b>16</b></p>	 <p><b>17</b></p>	 <p><b>21</b> Specify <b>U640</b> insulative extension with this actuator and replace '0' with color selection below.</p> <p><b>Colors</b></p> <ul style="list-style-type: none"> <li>1 blue</li> <li>2 black</li> <li>3 green</li> <li>4 grey</li> <li>5 yellow</li> <li>6 red</li> <li>7/1 white</li> <li>9 orange</li> </ul>
 <p><b>22</b> Not available with sealing option K or X408</p>	 <p><b>23</b></p>	

**INSULATING CAPS** (replace '0' in part numbers below with color code)

 <p><b>U270</b> For actuator <b>13</b> and threaded bushing only</p>	 <p><b>U1040</b> For actuator <b>13</b> and smooth bushing only</p>	 <p><b>U1710</b> For actuator <b>17</b> and threaded bushing or actuator <b>7</b> and smooth bushing only</p>
---	---	--

SPECIFICATIONS SUBJECT TO CHANGE WITHOUT NOTICE

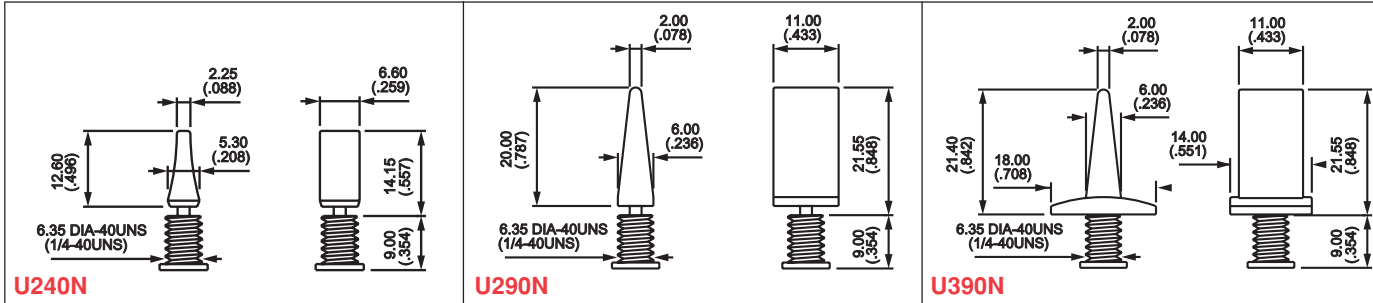


# 5000 SERIES - MINIATURE TOGGLE SWITCHES

A

## OPTION DRAWINGS (cont'd.)

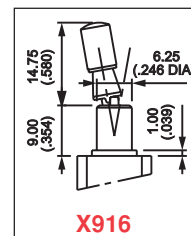
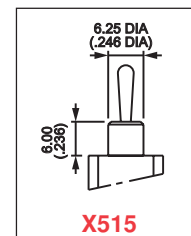
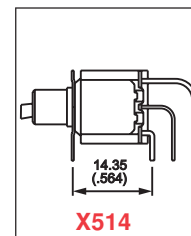
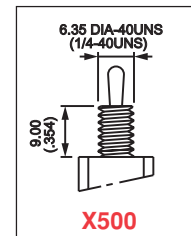
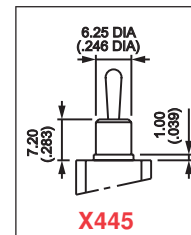
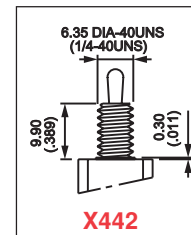
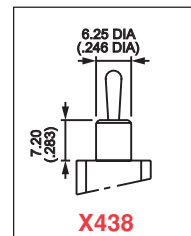
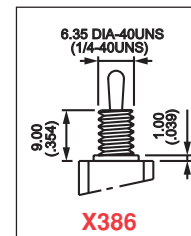
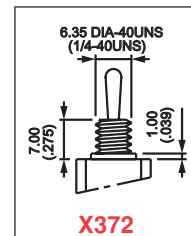
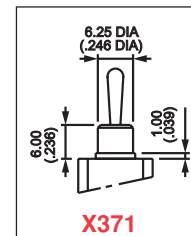
**PADDLES for actuator 4N only.** Mat'l: UL94HB Polyamide (replace '0' in part numbers below with color code from preceeding pg.)



## SPECIAL OPTIONS

- F** Tin plated terminals (for p.c. terminals only).
- X371** Smooth bushing .246" (6.25mm) instead of standard threaded bushing.
- X372** Threaded bushing 1/4" (6.35mm). Height .274" (7mm).
- X386** Threaded bushing 1/4" (6.35mm) to replace plain bushing on models with **W**, **WW** & **Y**.
- X404** Switches with **W** option with short actuator and offset terminal bends (see Page A25).
- X435** .732" (18.6mm) long p.c. terminals - epoxy terminal seal standard.
- X438** Smooth bushing .246" (6.25mm). Height.283" (7.2mm) without shoulder.
- X442** Threaded bushing 1/4" (6.35mm). Height .389" (9.9mm).
- X445** Smooth bushing .283" (7.2mm) for **W**, **WW** & **Y** models. Available with same actuators, insulating cap and paddles as X404.
- X500** Threaded bushing 1/4" (6.35mm). Height .354" (9mm) without shoulder.
- X507** .293" (10mm) long p.c. terminals.
- X512** 1.062" (27mm) long p.c. terminals - epoxy terminal seal standard.
- X514** Spacing .564" (14.35mm) instead of .500" (12.7mm) for 3 and 4 pole **WW** models.
- X515** Smooth bushing .246" (6.25mm) without shoulder.
- X601** Silver plated brass contacts. Ratings - 0.2 amps 250 VAC, 0.4 amps 125 VAC or 0.5 amps 30 VDC. Electrical life : 20,000 cycles min. Minimum quantity: 5000 pcs.
- X681** Satin chrome actuator for flat actuators.
- X729** 1/299" (33mm) long p.c. terminals.
- X764** Special customer specified marking.
- X769** Red anodized locking lever top.
- X806** Smooth bushing .246" (6.25mm) instead of standard threaded bushing and silver plated brass contacts.
- X814** Switches for peak current. See pg. A28.
- X916** Locking lever on model with smooth bushing.

Printed circuit terminal lengths	
Option	Length L
<b>X435</b>	.732 (18.6mm)
<b>X507</b>	.293 (10mm)
<b>X512</b>	1.062 (27mm)
<b>X729</b>	1.299 (33mm)

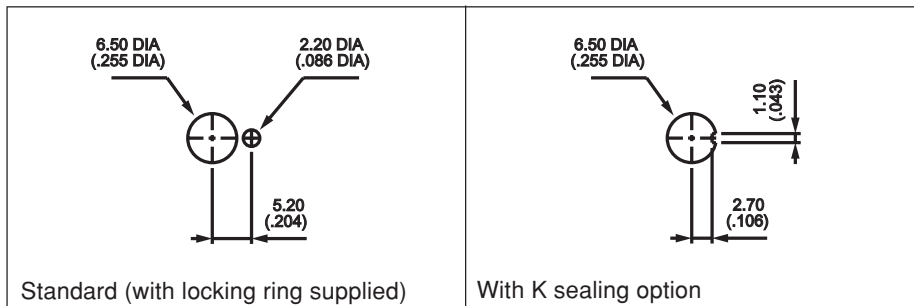


SPECIFICATIONS SUBJECT TO CHANGE WITHOUT NOTICE

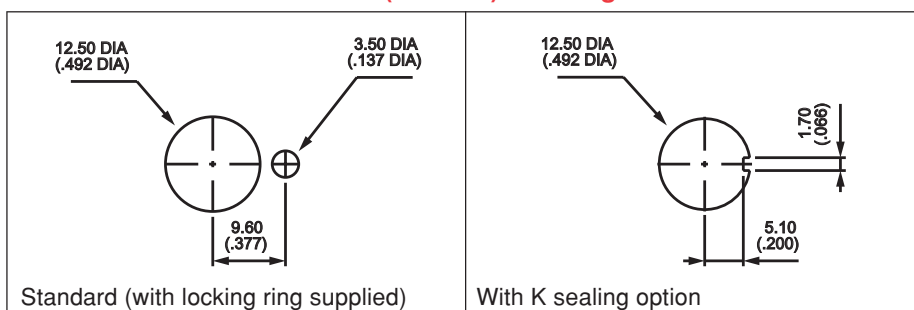
# 5000 SERIES - MINIATURE TOGGLE SWITCHES

## PANEL CUT-OUTS & MISCELLANEOUS

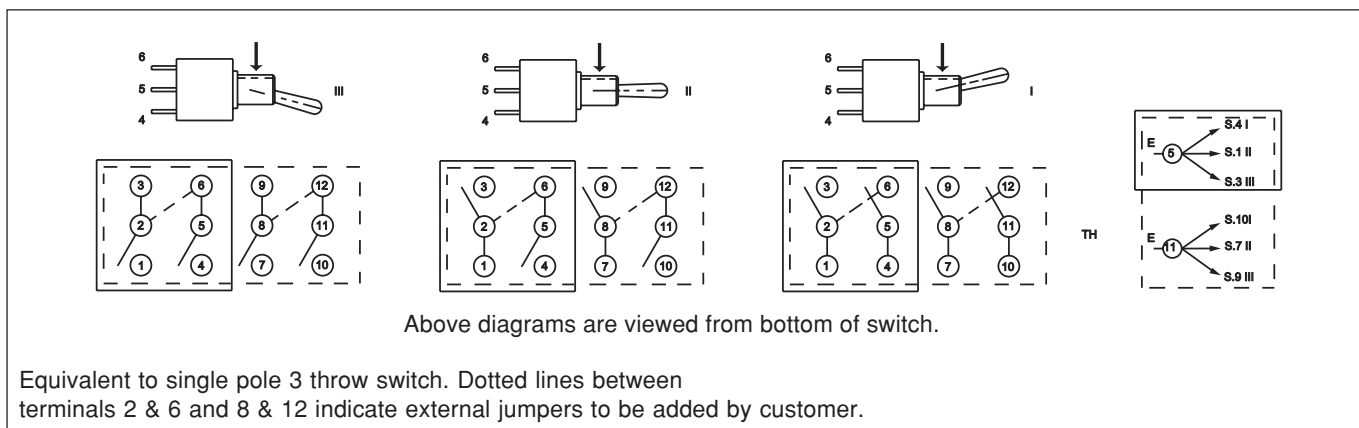
### PANEL CUT-OUTS for 1/4" (6.35mm) bushings



### PANEL CUT-OUTS for 15/32" (11.9mm) bushings



### WIRING for function 4 switch



Equivalent to single pole 3 throw switch. Dotted lines between terminals 2 & 6 and 8 & 12 indicate external jumpers to be added by customer.

SPECIFICATIONS SUBJECT TO CHANGE WITHOUT NOTICE

# Mouser Electronics

Authorized Distributor

Click to View Pricing, Inventory, Delivery & Lifecycle Information:

[Apem:](#)

[5269AB](#) [5236AKB](#)