

MT series

Sealed selector switches

Distinctive features - Specifications

U1603R2US



- Environmentally sealed selector switch (IP68)
- Multiple functions available
- Various contact materials that allow usage from dry circuit applications up to 4A

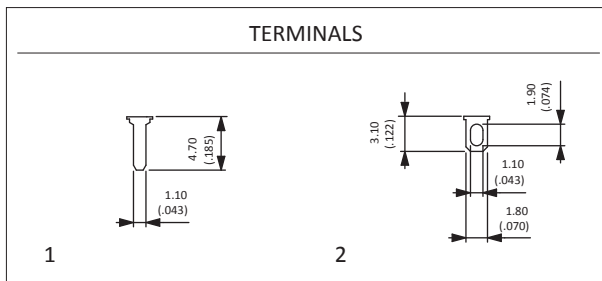
ELECTRICAL AND GENERAL SPECIFICATIONS

- Max. current/voltage rating with resistive load
 - Silver contacts (A) : 4A 30VDC
 - Gold plated silver contacts (AD) : 4A 30VDC (gold plating withstands up to 100mA 30VDC)
 - Gold plated brass contacts (CD) : 0,4VA 20VAC or DC
- Minimal load :
 - A contacts : 50mA 10VDC
 - AD and CD contacts : 10mA 50mV - 10µA 5V
- Initial contact resistance : 10mΩ max.
- Insulation resistance : 1.000 MΩ min. at 500VDC
- Dielectric strength : 1.000 Vrms 50Hz min. between terminals
1.500 Vrms 50Hz min. between terminals and frame
- Contact bounce : 2ms max.
- Electrical life at full load : 50,000 cycles
- Low level or mechanical life : 100,000 cycles
- Panel thickness : 11.5 mm (.452) max.
- Operating temperature : -40°C to +85°C

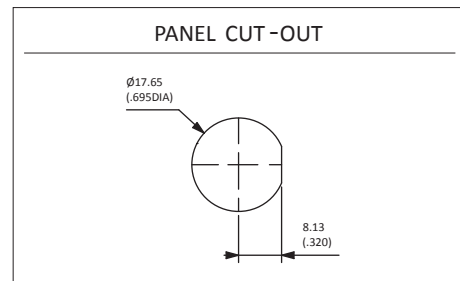
MATERIALS

- Actuator : 6/6 nylon
soft touch: thermoplastic elastomer over 6/6 nylon
- Bushing : brass, chrome plated
- Contacts
 - A: silver
 - AD: silver, gold plated
 - CD: brass, gold plated
- Terminal seal : epoxy

TERMINALS



PANEL CUT-OUT



Dimensions: First dimensions are in mm while inches are shown as bracketed numbers.



Mounting accessories: Standard hardware supplied : 1 hex nut 20.64 mm (.813) across flats and 1 sealing gasket.



Packaging unit: 40 pieces per tray

Note: The company reserves the right to change specifications without notice.

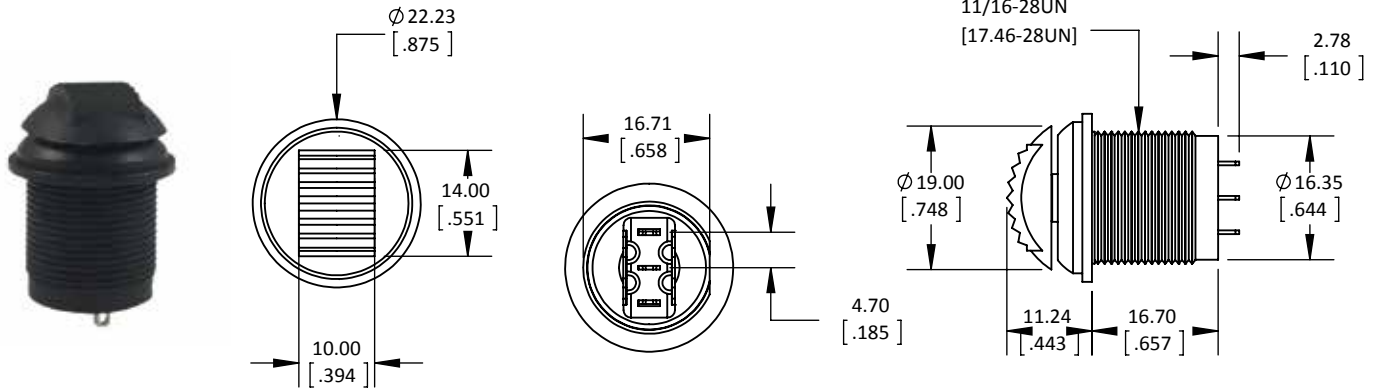
MT series

Sealed selector switches

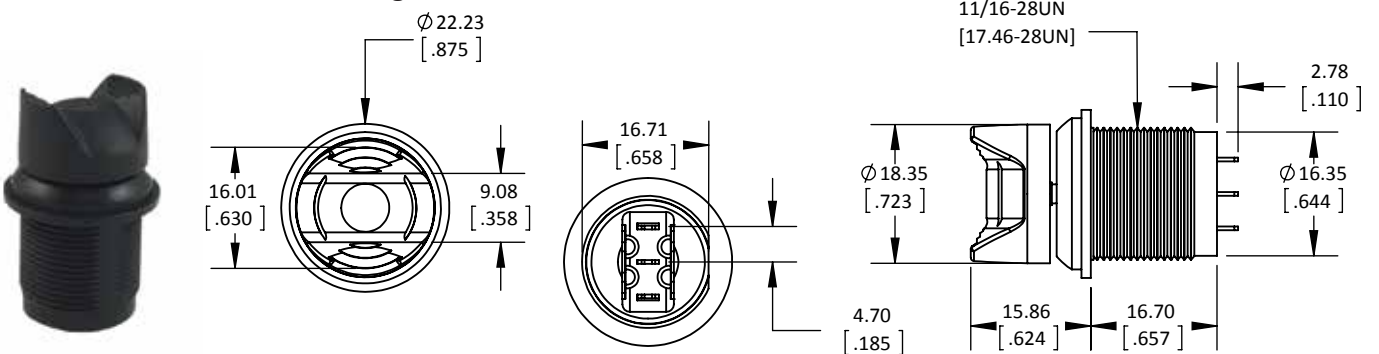
Distinctive features - Specifications

| | | | | | |
|---------------|-----------------------|-------------------|-----------------------------|--------------|-----------------------------|
| MT | | | | | |
| SERIES | Bushing finish | | Electrical functions | | Terminals |
| | Blank | Bright chrome | 6 ON - ON | 9 ON OFF ON | 1 Straight PC |
| | G | Matte black (std) | 7 MOM OFF MOM | 8 ON OFF MOM | 2 Solder lug |
| | | | 2 ON - MOM | | |
| | | | | | Contact materials |
| | | | | | A Silver |
| | | | | | AD Gold plated silver |
| | | | | | CD Gold plated brass |
| | | | | | Actuators |
| | | | | | 2 Rocker, black |
| | | | | | 3 Winged, black |
| | | | | | 4 Paddle, black |
| | | | | | 5 Winged, soft touch, black |
| | | | | | 6 Paddle, soft touch, black |
| | | | | | Other : on request. |

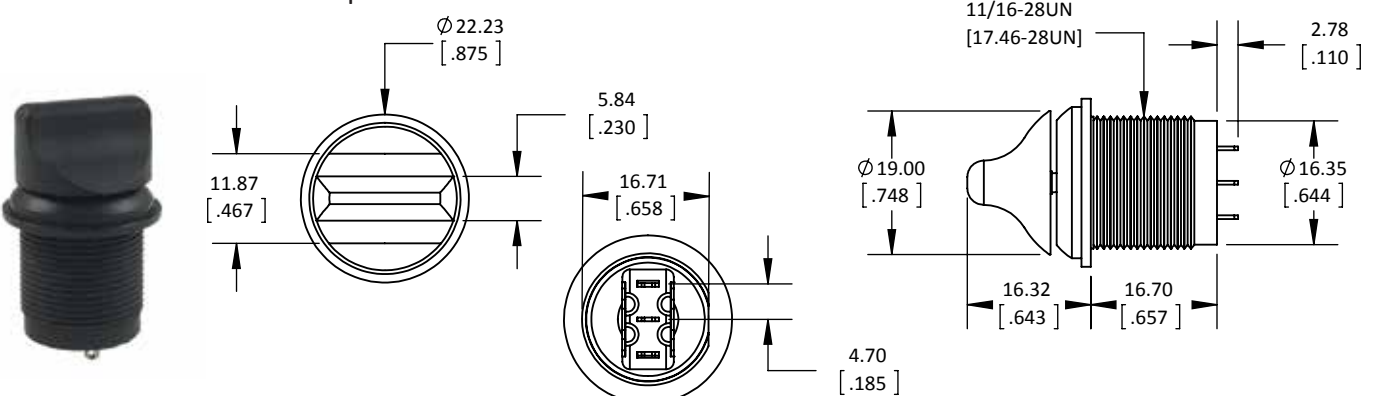
Sealed selector switch with rocker actuator



Sealed selector switch with winged actuator



Sealed selector switch with paddle actuator



Note: The company reserves the right to change specifications without notice.

Mouser Electronics

Authorized Distributor

Click to View Pricing, Inventory, Delivery & Lifecycle Information:

Apem:

[MTG62CD2](#) [MTG72AD3](#) [MTG72AD4](#) [MTG72A3](#) [MTG61A2](#) [MTG92A2](#) [MTG21A3](#) [MTG21A4](#) [MTG21A5](#)
[MTG21A6](#) [MTG21AD3](#) [MTG21AD4](#) [MTG21AD5](#) [MTG21AD6](#) [MTG21CD3](#) [MTG21CD4](#) [MTG21CD5](#) [MTG21CD6](#)
[MTG22A3](#) [MTG22A4](#) [MTG22A5](#) [MTG22A6](#) [MTG22AD3](#) [MTG22AD4](#) [MTG22AD5](#) [MTG22AD6](#) [MTG22CD3](#)
[MTG22CD4](#) [MTG22CD5](#) [MTG22CD6](#) [MTG61A3](#) [MTG61A4](#) [MTG61A5](#) [MTG61A6](#) [MTG61AD3](#) [MTG61AD4](#)
[MTG61AD5](#) [MTG61AD6](#) [MTG61CD3](#) [MTG61CD4](#) [MTG61CD5](#) [MTG61CD6](#) [MTG62A3](#) [MTG62A4](#) [MTG62A5](#)
[MTG62A6](#) [MTG62AD3](#) [MTG62AD4](#) [MTG62AD5](#) [MTG62AD6](#) [MTG62CD3](#) [MTG62CD4](#) [MTG62CD5](#) [MTG62CD6](#)
[MTG71A2](#) [MTG71A3](#) [MTG71A4](#) [MTG71A5](#) [MTG71A6](#) [MTG71AD3](#) [MTG71AD4](#) [MTG71AD5](#) [MTG71AD6](#)
[MTG71CD3](#) [MTG71CD4](#) [MTG71CD5](#) [MTG71CD6](#) [MTG72A4](#) [MTG72A5](#) [MTG72A6](#) [MTG72AD5](#) [MTG72AD6](#)
[MTG72CD3](#) [MTG72CD4](#) [MTG72CD5](#) [MTG72CD6](#) [MTG81A3](#) [MTG81A4](#) [MTG81A5](#) [MTG81A6](#) [MTG81AD3](#)
[MTG81AD4](#) [MTG81AD5](#) [MTG81AD6](#) [MTG81CD3](#) [MTG81CD4](#) [MTG81CD5](#) [MTG81CD6](#) [MTG82A3](#) [MTG82A4](#)
[MTG82A5](#) [MTG82A6](#) [MTG82AD3](#) [MTG82AD4](#) [MTG82AD5](#) [MTG82AD6](#) [MTG82CD3](#) [MTG82CD4](#) [MTG82CD5](#)
[MTG82CD6](#)