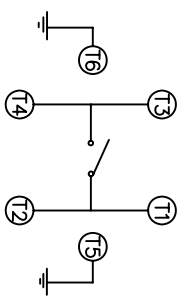
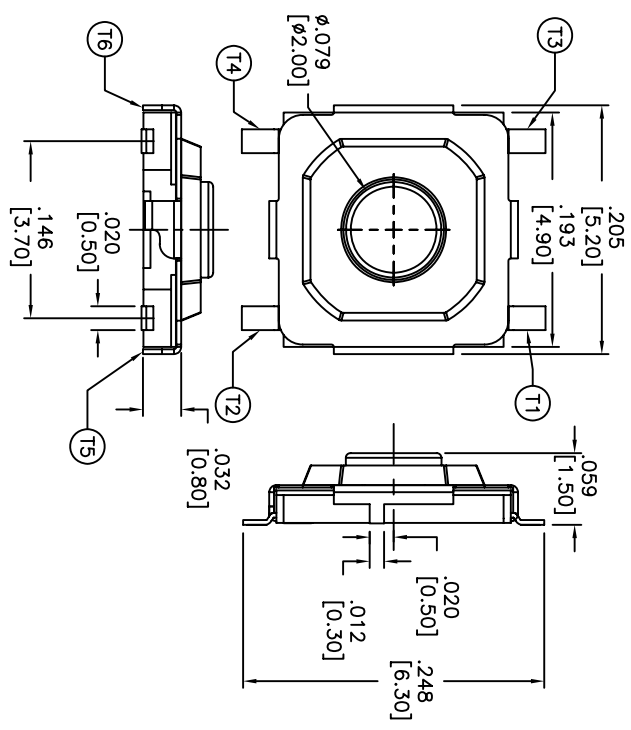
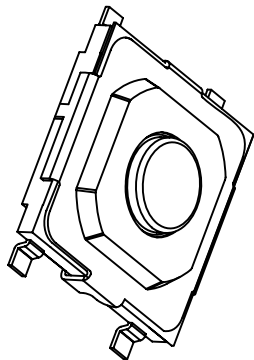
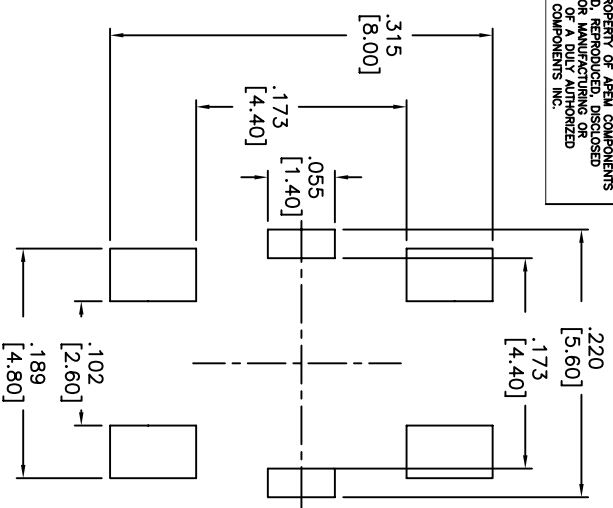


THIS DOCUMENT IS THE PROPERTY OF APDM COMPONENTS AND SHALL NOT BE COPIED, REPRODUCED, DISCLOSED OR USED AS THE BASIS FOR MANUFACTURING OR SALE WITHOUT PERMISSION OF A DULY AUTHORIZED REPRESENTATIVE OF APDM COMPONENTS INC.

ATMG53*V*
 OPERATION FORCE: _____
 3=160gf
 4=260gf
 PACKAGE STYLE:
 T/R=TAPE AND REEL
 LEAD FREE



CIRCUIT DIAGRAM

DATE	SYM	REVISION RECORD	DWN.	CK.
11/05	B	ECO# 495	CD	

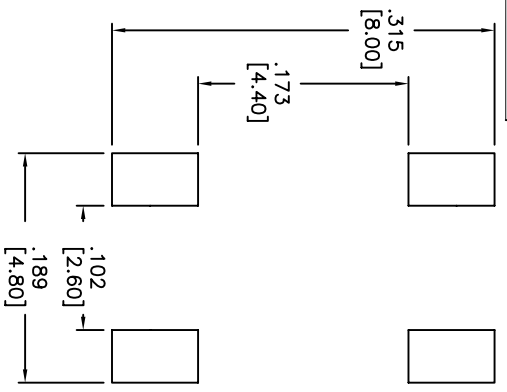
DESCRIPTION: MINIATURE MACHANICAL CONTACT SWITCH WITH SURFACE MOUNT TERMINALS AND GROUNDING TERMINALS.
 SPECIFICATIONS:
 STROKE: .010 ^{+0.004} _{-0.008} [0.25 ^{+0.10} _{-0.20}]
 OPERATION TEMPERATURE RANGE: -25°C TO +70°C
 STORAGE TEMPERATURE RANGE: -30°C TO +80°C
 VIBRATION TEST: PASSES METHOD 201A MIL-STD-202F.
 SHOCK TEST: 50G PER METHOD 213B MIL-STD202F.
 ELECTRICAL LIFE: 1,000,000 CYCLES MIN FOR 160gf.
 200,000 CYCLES MIN FOR 260gf.
 RATING: 50mA, 12VDC.
 CONTACT RESISTANCE: 100mΩ MAX.
 INSULATION RESISTANCE: 100MΩ MIN. AT 500VDC.
 DIELECTRIC STRENGTH: 250VAC/1 MINUTE.
 CONTACT ARRANGEMENT: 1POLE 1 THROW.
 MATERIALS:
 COVER: NICKEL SILVER.
 BASE: HIGH-TEMP. THERMOPLASTIC.
 COLOR: BLACK.
 STEM: BRASS WITH NICKEL PLATING
 CONTACT DISC: STAINLESS STEEL.
 TERMINAL: BRASS WITH SILVER CLADDING.
 TAPE: TEFLON
 SOLDERING:
 HAND SOLDERING: 30 WATT IRON AT 350°C FOR 5 SEC.
 VAPOR & REFLOW: 255°C FOR 5 SEC. MAX.
 NON-WASHABLE
 LEAD FREE PROCESS COMPATIBLE
 ROHS COMPLIANT

9A. INSPECT:		63 Neck Rd. 01835 APDM International, Inc. 10000 Highway 1A Foxboro, MA 01935 Tel: 508-548-5554 Fax: 508-548-5554		DRN. CJD BR: PJD OR: PJD
DESIGNER'S OPTICAL DIMENSION	TOLERANCES (UNLESS OTHERWISE SPECIFIED) .XX = ±0.005 .XXX = ±0.004 .XXXX = ±0.0008 .XXXXX = ±0.0001 ANGLE = 30.5°	SHEET 1 OF 1 SIZE B SCALE 10:1 THIRD ANGLE PROJECTION	TITLE MECHANICAL CONTACT SWITCH	
DO NOT SCALE DIMENSIONS	DATE 08/15/05	DRAWING NO. ATMG53*V*	REV B	

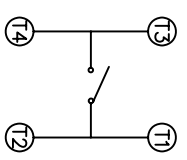
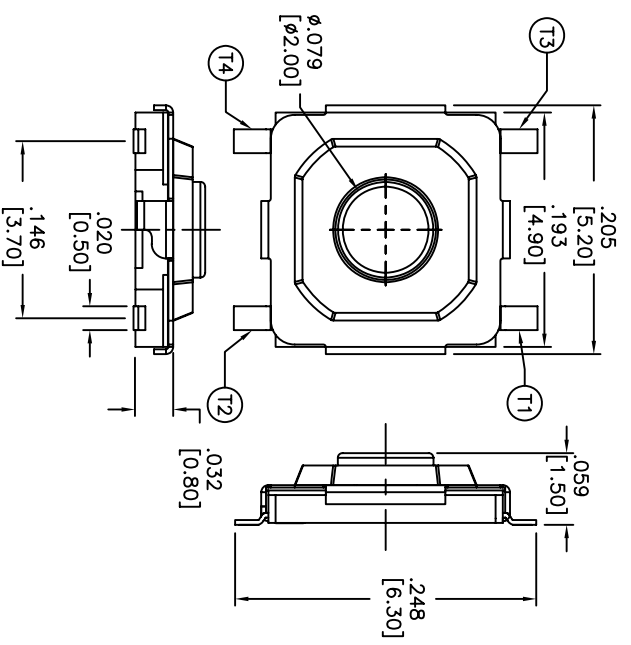
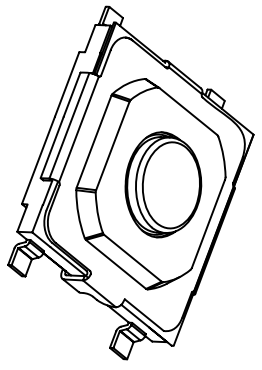
THIS DOCUMENT IS THE PROPERTY OF APEM COMPONENTS AND SHALL NOT BE COPIED, REPRODUCED, DISCLOSED OR USED AS THE BASIS FOR MANUFACTURING OR SALE WITHOUT PERMISSION OF A DULY AUTHORIZED REPRESENTATIVE OF APEM COMPONENTS INC.

OPERATION FORCE: ATM53*V*
 2=100gf
 3=160gf
 4=260gf

PACKAGE STYLE:
 T/R=TAPE AND REEL
 LEAD FREE



P.C.B. LAYOUT



CIRCUIT DIAGRAM

DATE	SYM	REVISION RECORD	DWN.	CK.

DESCRIPTION: MINIATURE MECHANICAL CONTACT SWITCH SURFACE MOUNT TERMINALS.

SPECIFICATIONS:

STROKE: .010 \pm .004 \pm .006 \pm .008

OPERATION TEMPERATURE RANGE: -25°C TO +70°C

STORAGE TEMPERATURE RANGE: -30°C TO +80°C

VIBRATION TEST: PASSES METHOD 201A MIL-STD-202F.

SHOCK TEST: 50G PER METHOD 213B MIL-STD202F.

ELECTRICAL LIFE: 1,000,000 CYCLES MIN FOR 100gf, 16 200,000 CYCLES MIN FOR 260gf.

RATING: 50mA, 12VDC.

CONTACT RESISTANCE: 100mΩ MAX.

INSULATION RESISTANCE: 100MΩ MIN. AT 500VDC.

DIELECTRIC STRENGTH: 250VAC/1 MINUTE.

CONTACT ARRANGEMENT: 1POLE 1 THROW.

MATERIALS:

COVER: NICKEL SILVER.

BASE: HIGH-TEMP. THERMOPLASTIC.

COLOR: BLACK.

STEM: BRASS WITH NICKEL PLATING

CONTACT DISC: STAINLESS STEEL WITH SILVER PLATING.

TERMINAL: BRASS WITH SILVER CLADDING.

TAPE: TEFLON

SOLDERING:

HAND SOLDERING: 30 WATT IRON AT 350°C FOR 5 SEC VAPOR & REFLOW: 255°C FOR 5 SEC. MAX.

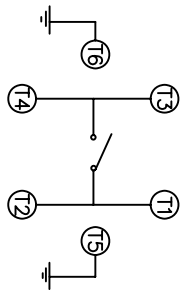
NON-WASHABLE

LEAD FREE PROCESS COMPATIBLE

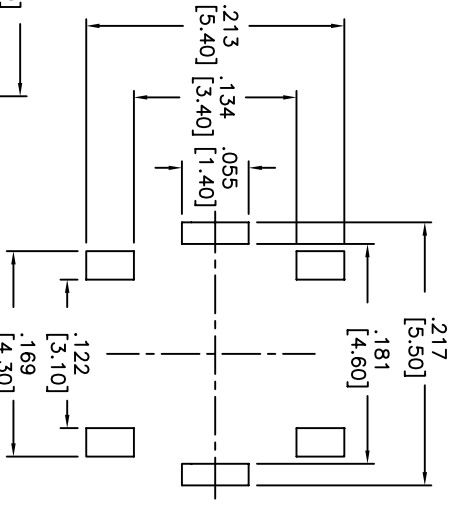
ROHS COMPLIANT

Q.A. INSPECT: 		DESIGNER'S OPTICAL DIMENSION <small>(DRAWN AS SHOWN)</small> .XX=±.02[0.05] .XXX=±.008[0.20] .XXXX=±.0008[0.02] ANGLE = 30.5°		 APEM <small>APERM COMPONENTS, INC.</small> 63 NACK RD. HERRINGHAM, MA 01835 TEL: 978-372-5554 FAX: 978-372-5554		DPN: CJD BR: PJD	
TOLERANCES <small>(DRAWN AS SHOWN)</small> .XX=±.02[0.05] .XXX=±.008[0.20] .XXXX=±.0008[0.02] ANGLE = 30.5°		TITLE MECHANICAL CONTACT SWITCH		SHEET 1 OF 1 SIZE B SCALE 10:1 THIRD ANGLE PROJECTION		DWN. NO. ATM53*V* REV A	
DO NOT SCALE DIMENSIONS		DATE 4/26/06		DRAWING NO. ATM53*V*		REV A	

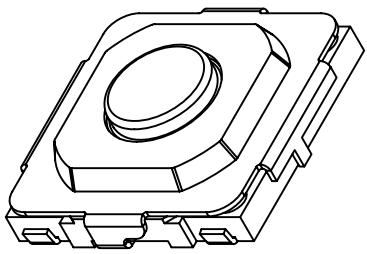
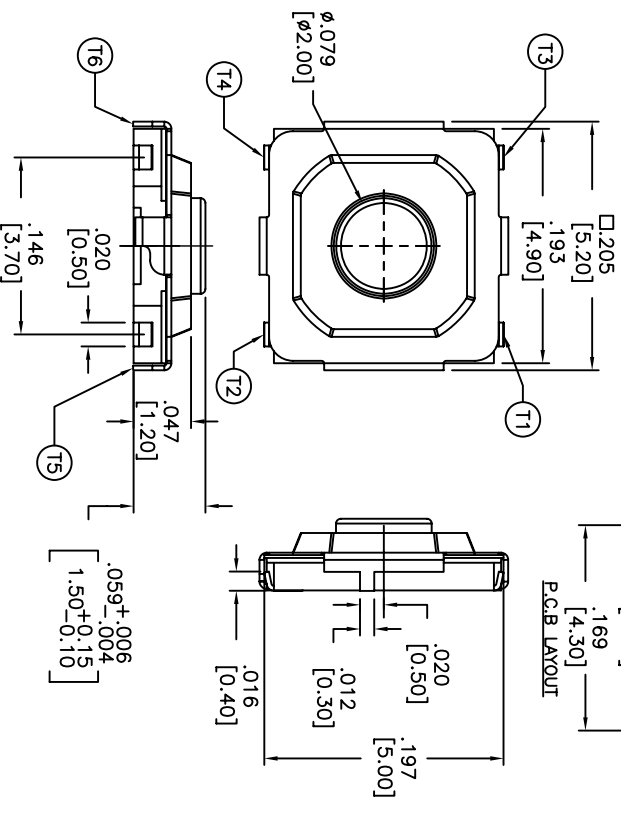
THIS DOCUMENT IS THE PROPERTY OF APEM COMPONENTS AND SHALL NOT BE COPIED, REPRODUCED, DISCLOSED OR SALE WITHOUT PERMISSION OF A DULY AUTHORIZED REPRESENTATIVE OF APEM COMPONENTS INC.



CIRCUIT DIAGRAM



PCB LAYOUT



OPERATION FORCE: ATUG53**V* PACKAGE STYLE: T/R=TAPE AND REEL
 3=160gf
 4=260gf
 LEAD FREE

DESCRIPTION: MINIATURE MECHANICAL CONTACT SWITCH WITH "S" TYPE SMT AND GROUNDING TERMINALS.

SPECIFICATIONS:

OPERATION TEMPERATURE RANGE: -25°C TO +70°C
 STORAGE TEMPERATURE RANGE: -30°C TO +80°C
 VIBRATION TEST: PASSES METHOD 201A
 MIL-STD-202F.
 SHOCK TEST: 50G PER METHOD 213B MIL-STD202F.
 ELECTRICAL LIFE: 1,000,000 CYCLES MIN FOR 160gf.
 200,000 CYCLES MIN FOR 260gf.

RATING: 50mA, 12VDC.
 CONTACT RESISTANCE: 100mΩ MAX.
 INSULATION RESISTANCE: 100MΩ MIN. AT 500VDC.
 DIELECTRIC STRENGTH: 250VAC/1 MINUTE.
 STROKE: 0.25 ±0.10mm
 CONTACT ARRANGEMENT: 1POLE 1 THROW.

MATERIALS:

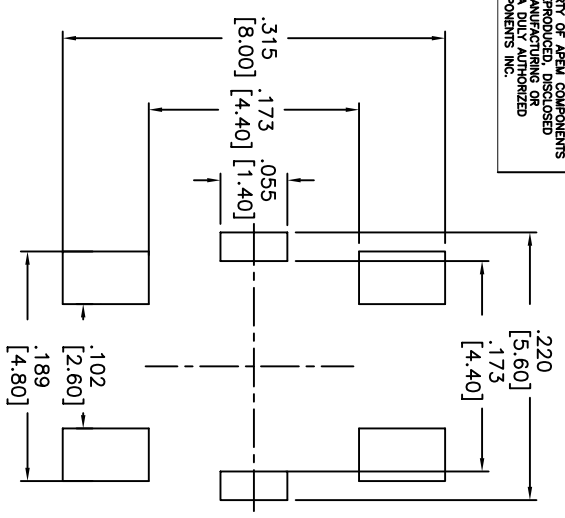
COVER: NICKEL SILVER.
 BASE: HIGH-TEMP. THERMOPLASTIC.
 COLOR: BLACK.
 STEM: BRASS WITH NICKEL PLATING
 CONTACT DISC: STAINLESS STEEL.
 TERMINAL: BRASS WITH SILVER CLADDING.
 TAPE: TEFLON

SOLDERING:
 HAND SOLDERING: 30 WATT IRON AT 350°C FOR 5 SEC.
 IR REFLOW: 225°C MAX.
 LEAD FREE PROCESS COMPATIBLE
 ROHS COMPLIANT

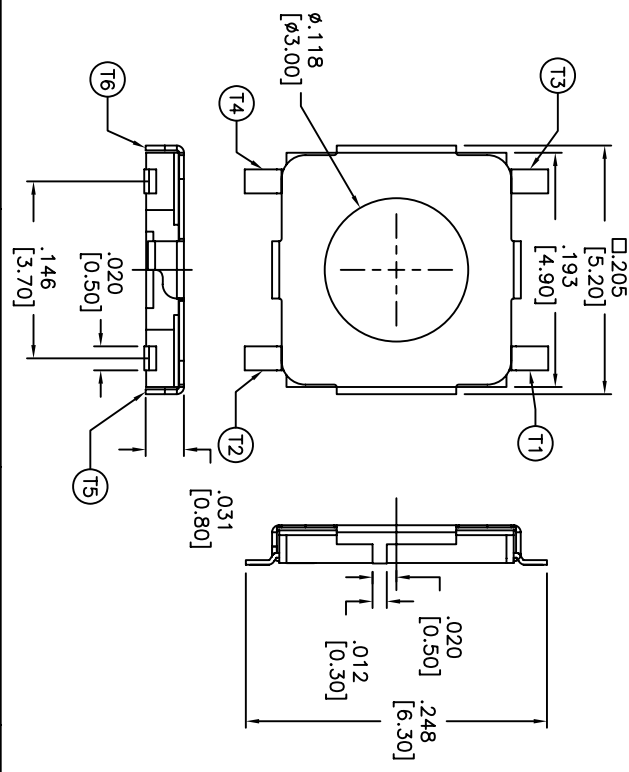
DATE	SYM	REVISION RECORD	DWN.	CK.

Q.A. INSPECT: 		DESIGNER'S INITIAL: DIMENSION		DRN. CJD	
TOLERANCES (UNLESS OTHERWISE SPECIFIED) .XX = ±0.005 .XXX = ±0.008 .XXXX = ±0.0008 ANGLE = 30.5°		APM 63 Neck Rd. Haverhill, MA 01830 Tel: 978-372-5554 Fax: 978-372-5554		BR. BR. OK. PJD	
TITLE MECHANICAL CONTACT SWITCH		SHEET 1 OF 1		SCALE 10:1	
DATE 8/11/05		DRAWING NO. ATUG53*V*		REV A	

THIS DOCUMENT IS THE PROPERTY OF APEM COMPONENTS AND SHALL NOT BE COPIED, REPRODUCED, DISCLOSED OR SALE WITHOUT PERMISSION OF A DULY AUTHORIZED REPRESENTATIVE OF APEM COMPONENTS INC.

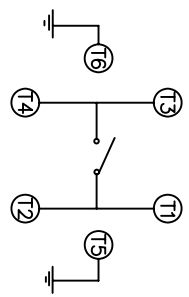
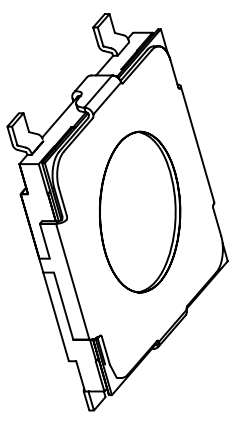


P.C.B. LAYOUT
UNLESS OTHERWISE SPECIFIED
ALL P.C. TOLERANCES ARE ±.002 [0.05]



OPERATION FORCE: ATMG52*V*
2=100gf
3=160gf
4=260gf

PACKAGE STYLE:
T/R=TAPE AND REEL
LEAD FREE



CIRCUIT DIAGRAM

DESCRIPTION: MINIATURE MECHANICAL CONTACT SWITCH WITH SMT, AND GROUNDING TERMINALS.
SPECIFICATIONS:
OPERATION TEMPERATURE RANGE: -25°C TO +70°C
STORAGE TEMPERATURE RANGE: -30°C TO +80°C
VIBRATION TEST: PASSES METHOD 2014 MIL-STD-202F.
STROKE: .010 ±.005 [0.25 ±.012]
SHOCK TEST: 50G PER METHOD 213B MIL-STD202F.
ELECTRICAL LIFE: 1,000,000 CYCLES MIN FOR 100gf AND 160gf.
200,000 CYCLES MIN FOR 260gf.
RATING: 50mA, 12VDC.
CONTACT RESISTANCE: 100mΩ MAX.
INSULATION RESISTANCE: 100MΩ MIN. AT 500VDC.
DIELECTRIC STRENGTH: 250VAC/1 MINUTE.
CONTACT ARRANGEMENT: 1POLE 1 THROW.
MATERIALS:
COVER: NICKEL SILVER.
BASE: HIGH-TEMP. THERMOPLASTIC.
COLOR: BLACK.
STEM: BRASS WITH NICKEL PLATING
CONTACT DISC: STAINLESS STEEL WITH SILVER CLADDING.
TERMINAL: BRASS WITH SILVER PLATING.
TAPE: TEFLON
SOLDERING:
HAND SOLDERING: 30 WATT IRON AT 350°C FOR 5 SEC.
IR REFLOW: 260°C MAX
LEAD FREE PROCESS COMPATIBLE
ROHS COMPLIANT

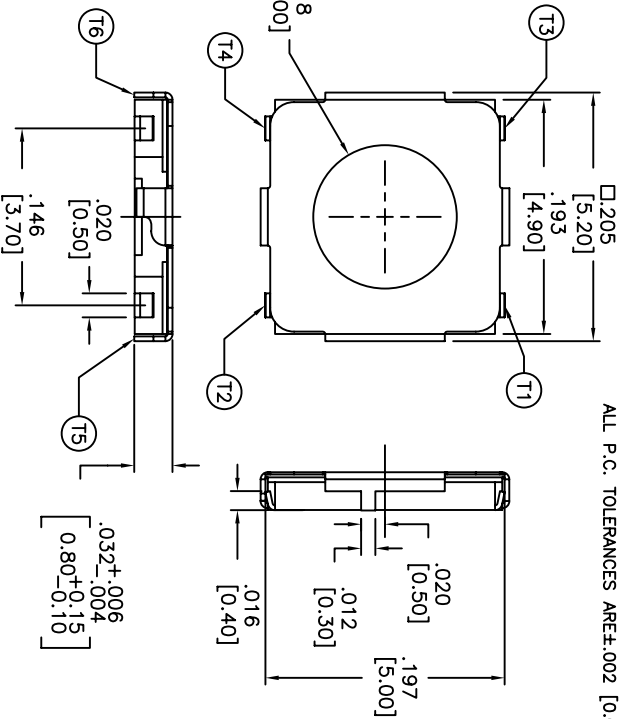
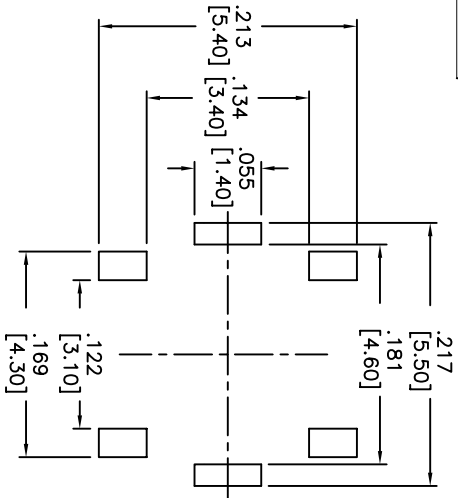
DATE	SYM	REVISION RECORD	DWN.	CK.

Q.A. INSPECT:		DESIGNER'S INITIAL:		DWN. CJD	
DIMENSION:		TOLERANCES (UNLESS OTHERWISE SPECIFIED):		P.D.	
.XXX = ±.0008 [0.02]		.XX = ±.001 [0.025]		THIRD ANGLE PROJECTION	
.X = ±.002 [0.05]		.X = ±.001 [0.025]		P.D.	
ANGLE = 30.5°		TITLE: MECHANICAL CONTACT SWITCH		REV. A	
DO NOT SCALE		DATE: 8/15/05		DRAWING NO. ATMG52*V*	



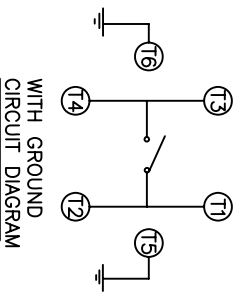
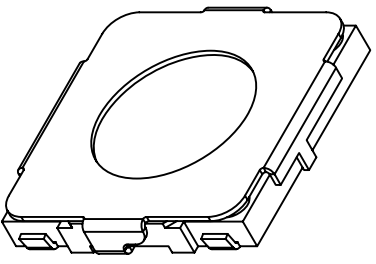
63 Neck Rd. 01835
Haverhill, MA 01835
Tel: 978-372-5554
Fax: 978-372-5554

THIS DOCUMENT IS THE PROPERTY OF APEN COMPONENTS AND SHALL NOT BE COPIED, REPRODUCED, DISCLOSED OR USED AS THE BASIS FOR MANUFACTURING OR SALE WITHOUT PERMISSION OF A DULY AUTHORIZED REPRESENTATIVE OF APEN COMPONENTS INC.



P.C.B LAYOUT
UNLESS OTHERWISE SPECIFIED
ALL P.C. TOLERANCES ARE ±.002 [0.05]

OPERATION FORCE: ATUG52**V*
2=100gf
3=160gf
4=260gf
PACKAGE STYLE: T/R=TAPE AND REEL
LEAD FREE



DESCRIPTION: MINIATURE MECHANICAL CONTACT SWITCH WITH J TYPE SMT AND GROUNDING TERMINALS.

SPECIFICATIONS:
OPERATION TEMPERATURE RANGE: -25°C TO +70°C
STORAGE TEMPERATURE RANGE: -30°C TO +80°C
VIBRATION TEST: PASSES METHOD 201A MIL-STD-202F.
SHOCK TEST: 50G PER METHOD 213B MIL-STD202F.
ELECTRICAL LIFE: 1,000,000 CYCLES MIN FOR 100gf, 160gf, 200,000 CYCLES MIN FOR 260gf.
RATING: 50mA, 12VDC.
CONTACT RESISTANCE: 100mΩ MAX.
INSULATION RESISTANCE: 100MΩ MIN. AT 500VDC.
DIELECTRIC STRENGTH: 250VAC/1 MINUTE.
STROKE: 0.25 ±0.08mm
CONTACT ARRANGEMENT: 1POLE 1 THROW.

MATERIALS:
COVER: NICKEL SILVER.
BASE: HIGH-TEMP. THERMOPLASTIC.
COLOR: BLACK.
STEM: BRASS WITH NICKEL PLATING
CONTACT DISC: STAINLESS STEEL WITH SILVER CLADDING.
TERMINAL: BRASS WITH SILVER PLATING.
TAPE: TEFLON

SOLDERING:
HAND SOLDERING: 30 WATT IRON AT 350°C FOR 5 SEC.
IR REFLOW: 260°C MAX.
LEAD FREE PROCESS COMPATIBLE
ROHS COMPLIANT

DATE	SYM	REVISION RECORD	DWN.	CK.

Q.A. INSPECT:		63 Nark. Rd. 01835 Haverhill, MA 01835 APEN COMPONENTS, INC. Phone: 978-372-5554		DRN. CJD
DESIGNATES CRITICAL DIMENSION	INCH	SHEET	SIZE	SCALE
TOLERANCES (UNLESS OTHERWISE SPECIFIED)	1 OF 1	B	10:1	THIRD ANGLE PROJECTION
.XX=±.02[0.05]	PJD			
.XXX=±.008[0.20]				
.XXXX=±.0008[0.02]				
ANGLE = 30.5°				
DO NOT SCALE DRAWING	DATE	DRAWING NO.	REV	
8/11/06	ATUG52**V*	A		

Mouser Electronics

Authorized Distributor

Click to View Pricing, Inventory, Delivery & Lifecycle Information:

[Apem:](#)

[ATJG523VTR](#) [ATJG524VTR](#) [ATJG533VTR](#) [ATJG534VTR](#) [ATM523VTR](#) [ATM524VTR](#) [ATM533VTR](#) [ATM534VTR](#)
[ATMG325NVTR](#) [ATMG523VTR](#) [ATMG524VTR](#) [ATMG533VTR](#) [ATMG534VTR](#)