

THIS DOCUMENT IS THE PROPERTY OF APDM COMPONENTS AND SHALL NOT BE COPIED, REPRODUCED, DISCLOSED OR USED AS THE BASIS FOR MANUFACTURING OR SALE WITHOUT PERMISSION OF A DULY AUTHORIZED REPRESENTATIVE OF APDM COMPONENTS INC.

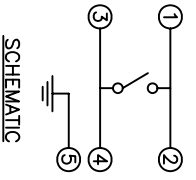
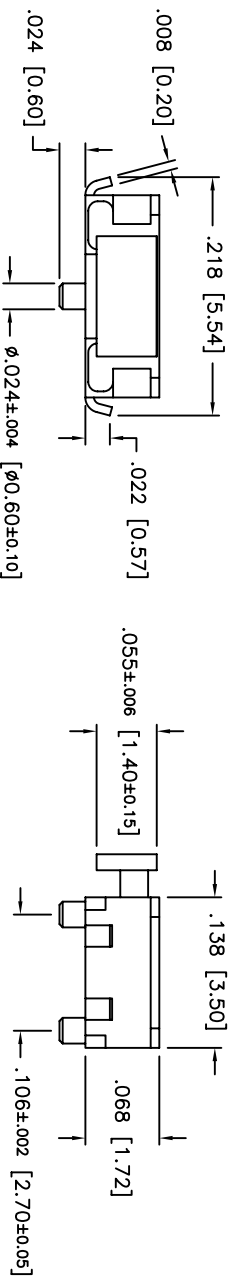
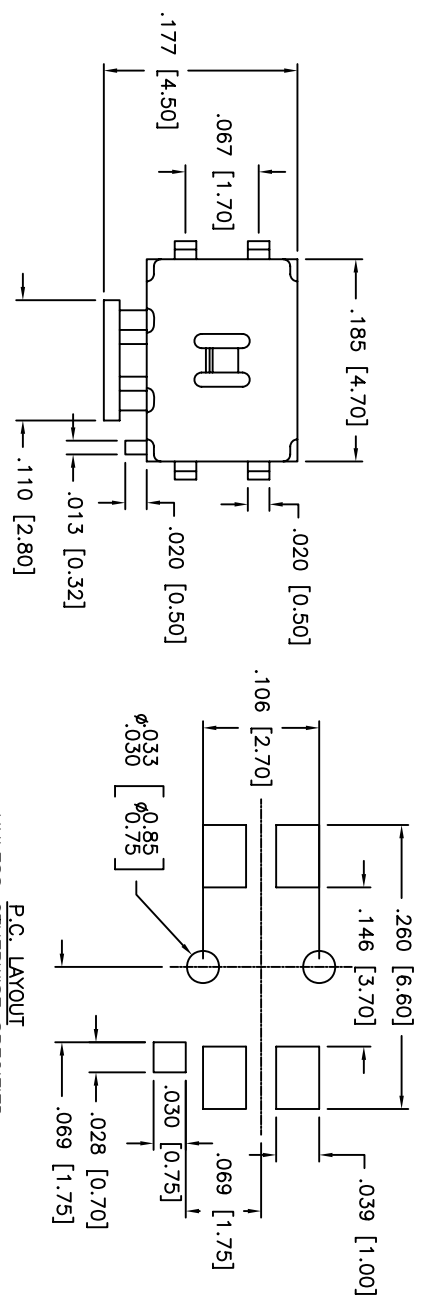
DATE	SYM	REVISION RECORD	DWN.	CK.
10/05	A	ECO# 483	CD	PD
2/07	B	ECO# 628	CD	PD

DESCRIPTION: SPST, MINIATURE SIDE PUSH SWITCH WITH P.C. LOCATING PINS AND SMT GULLWING TERMINALS.

SPECIFICATIONS:

CONTACT RATING: 50ma @ 12VDC
 INSULATION RESISTANCE: 100 MOHMS MIN. (500VDC)
 DIELECTRIC STRENGTH: 100VAC FOR 1 MINUTE
 CONTACT RESISTANCE: 100 MOHMS MAX.
 SHOCK RESISTANCE: 50G PER METHOD 213B.
 MIL-STD-202F
 VIBRATION RESISTANCE: PASSES METHOD 201A, MIL-STD-202F
 ELECTRICAL LIFE:
 100,000 CYCLES MIN.
 OPERATING FORCE: 220gf ±90gf
 TRAVEL: 0.30 ±0.15mm
 OPERATING TEMP. RANGE: -25°C TO +70°C
 STORAGE TEMP. RANGE: -30°C TO +80°C
 MATERIALS

P.C. LAYOUT
 UNLESS OTHERWISE SPECIFIED
 P.C. TOLERANCES ARE ±.002 [0.05]



SCHEMATIC

COVER: STAINLESS STEEL.
 CONTACT DISK: STAINLESS STEEL.
 TERMINAL: BRASS WITH SILVER PLATING.
 BASE: LCP HIGH-TEMP. THERMOPLASTIC.
 COLOR: BLACK.
 STEM: LCP HIGH-TEMP. THERMOPLASTIC.
 COLOR: BLACK.
 ROHS COMPLIANT
 LEAD FREE PROCESS COMPATIBLE
 HAND SOLDERING: 30 WATT IRON AT 350°C
 FOR 5 SECONDS
 IR REFLOW: 255°C MAX

APDM APDM COMPONENTS INC. 63 NACK RD. HANOVER, MA 01830 TEL: 978-272-3534 FAX: 978-272-3534		PPN: CJD BR: PJD
DESIGNS: CRITICAL DIMENSION TOLERANCES (UNLESS AS NOTED) .XX±.02 [0.05] .XXX±.008 [0.20] .XXXX±.0008 [0.02] ANGLE = 40.5°	SHEET 1 OF 1 SIZE B SCALE 9:1 THIRD ANGLE PROJECTION	TITLE TINY SIDE PUSH SWITCH APTCLGTR
DO NOT SCALE DATE: 12/16/04 DRAWING NO: B7626		REV: B

THIS DOCUMENT IS THE PROPERTY OF APDM COMPONENTS AND SHALL NOT BE COPIED, REPRODUCED, DISCLOSED OR SALE WITHOUT PERMISSION OF A DULY AUTHORIZED REPRESENTATIVE OF APDM COMPONENTS INC.

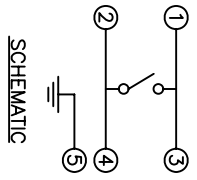
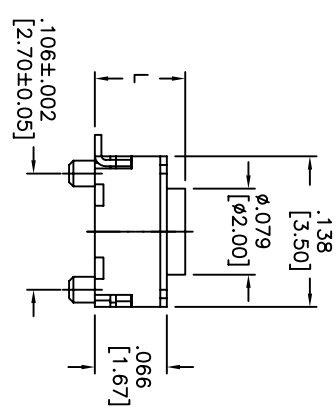
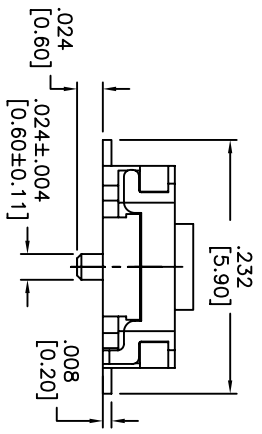
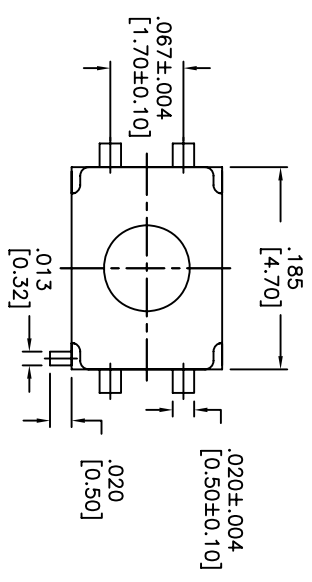
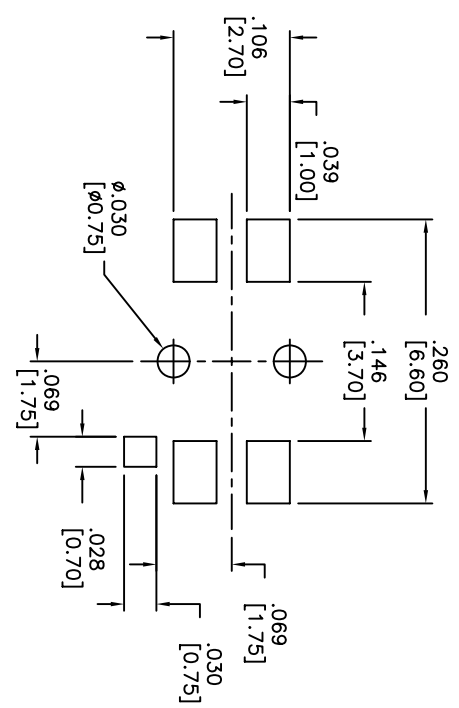
DATE	SYM	REVISION RECORD	DWN.	CK.

DESCRIPTION: SPST, MINIATURE VERTICAL PUSH SWITCH WITH P.C. LOCATING PINS AND SMT SPECIFICATIONS:

CONTACT RATING: 50mA @ 12VDC
 INSULATION RESISTANCE: 100 MOHMS MIN. (500VDC)
 DIELECTRIC STRENGTH: 250VAC FOR 1 MINUTE
 CONTACT RESISTANCE: 100 MOHMS MAX.
 SHOCK RESISTANCE: 50G PER METHOD 213B.
 MIL-STD-202F
 VIBRATION RESISTANCE: PASSES METHOD 201A.
 MIL-STD-202F
 ELECTRICAL LIFE:
 100,000 CYCLES MIN.
 OPERATING FORCE: 160±50gf
 TRAVEL: .008±.004
 OPERATING TEMP. RANGE: -25°C TO +70°C
 STORAGE TEMP. RANGE: -30°C TO +80°C
 MATERIALS

COVER: STAINLESS STEEL.
 CONTACT DISK: STAINLESS STEEL.
 TERMINAL: BRASS WITH SILVER PLATING.
 BASE: LCP HIGH-TEMP. THERMOPLASTIC,
 COLOR: BLACK.
 STEM: LCP HIGH-TEMP. THERMOPLASTIC,
 COLOR: BLACK.
 ROHS COMPLIANT
 LEAD FREE PROCESS COMPATIBLE
 HAND SOLDERING: 30 WATT IRON AT 350°C
 FOR 5 SECONDS
 IR REFLOW: 255°C MAX

P.C. LAYOUT
 UNLESS OTHERWISE SPECIFIED
 P.C. TOLERANCES ARE ±.004 [0.10]

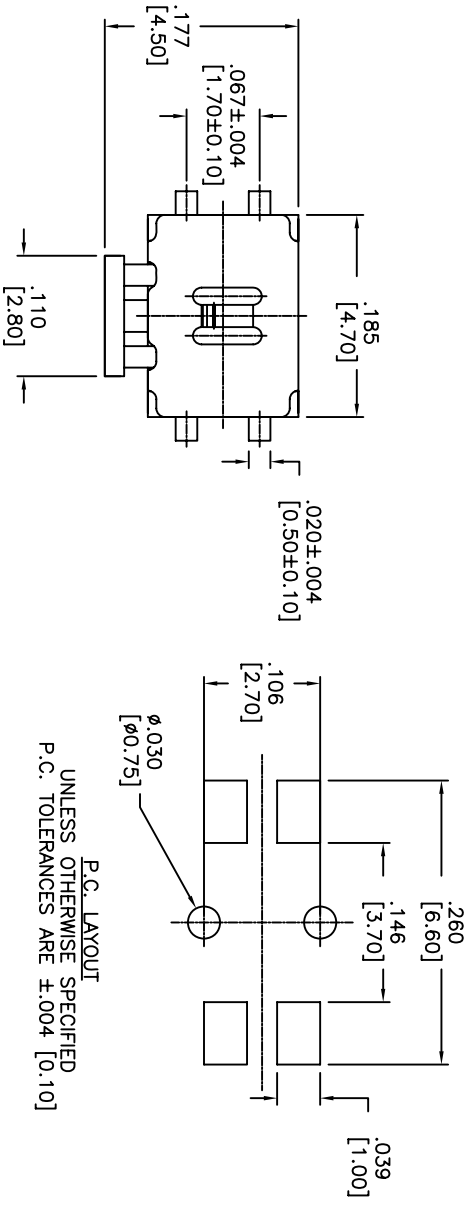


PART NO.	QTY	PRICE	TOTAL
APTFCGP1V	.0827	2.100	
APTFCGP2V	.0984	2.50	

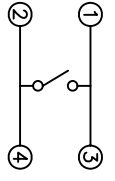
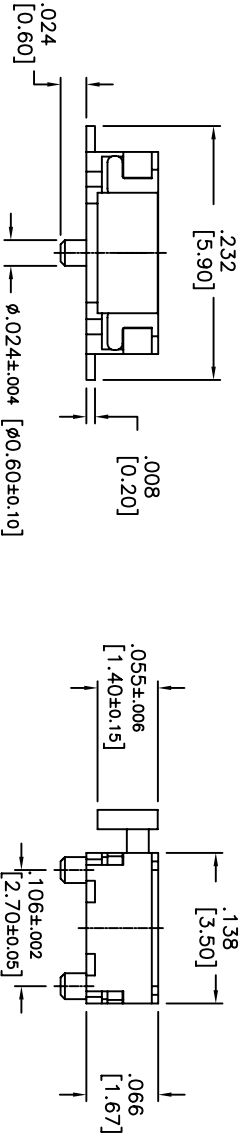
Q.A. INSPECT:		DESIGNER'S INITIAL:		DWN.		CK.	
TOLERANCES (UNLESS OTHERWISE SPECIFIED)		DIMENSION		SHEET		SCALE	
.XX = ±.02 [0.05]		.XXX = ±.0008 [0.20]		1 OF 1		9:1	
.XXX = ±.0008 [0.20]		ANGLE = 30.5°		B		THIRD ANGLE PROJECTION	
DO NOT SCALE		DATE		DRAWING NO.		REV	
7/7/05		7/7/05		APTFCGP*V		A	

1 2 3 4 5 6 7 8

THIS DOCUMENT IS THE PROPERTY OF APEM COMPONENTS AND SHALL NOT BE COPIED, REPRODUCED, DISCLOSED OR SALE WITHOUT PERMISSION OF A DULY AUTHORIZED REPRESENTATIVE OF APEM COMPONENTS INC.



P.C. LAYOUT
UNLESS OTHERWISE SPECIFIED
P.C. TOLERANCES ARE ±.004 [0.10]



SCHEMATIC

DATE	SYM	REVISION RECORD	DWN.	CK.

DESCRIPTION: SPST, MINIATURE SIDE PUSH SWITCH WITH P.C. LOCATING PINS AND SMT SPECIFICATIONS:
 CONTACT RATING: 50mA @ 12VDC
 INSULATION RESISTANCE: 100 MOHMS MIN. (500VDC)
 DIELECTRIC STRENGTH: 250VAC FOR 1 MINUTE
 CONTACT RESISTANCE: 100 MOHMS MAX.
 SHOCK RESISTANCE: 50G PER METHOD 213B.
 MIL-STD-202F
 VIBRATION RESISTANCE: PASSES METHOD 201A.
 MIL-STD-202F
 ELECTRICAL LIFE:
 100,000 CYCLES MIN.
 OPERATING FORCE: 220 ±90g
 TRAVEL: .012 ±.004
 OPERATING TEMP. RANGE: -25°C TO +70°C
 STORAGE TEMP. RANGE: -30°C TO +80°C
 MATERIALS
 COVER: STAINLESS STEEL
 CONTACT DISK: STAINLESS STEEL.
 TERMINAL: BRASS WITH SILVER PLATING.
 BASE: LCP HIGH-TEMP. THERMOPLASTIC.
 COLOR: BLACK.
 STEM: LCP HIGH-TEMP. THERMOPLASTIC,
 COLOR: BLACK.
 TAPE: TEFLON
 TAPE & REEL PACKAGING: 3,000 PCS. PER REEL
 ROHS COMPLIANT
 LEAD FREE PROCESS COMPATIBLE
 HAND SOLDERING: 30 WATT IRON AT 350°C
 FOR 5 SECONDS
 IR REFLOW: 255°C MAX

Q.A. INSPECT: 		DESIGNER'S INITIALS: DIMENSION		DRN. CJD BR: CK: PJD	
TOLERANCES (UNLESS OTHERWISE SPECIFIED) .XX = ±.02 [0.05] .XXX = ±.008 [0.20] .XXXX = ±.0008 [0.02] ANGLE = 30.5°		APPEM 63 Neck Rd. Haverhill, MA 01830 Phone: 978-372-5554 Fax: 978-372-5554		DATE: 7/7/05 DRAWING NO.: APTCFV	
TITLE: TINY SIDE PUSH SWITCH		SHEET: 1 OF 1 SIZE: B SCALE: 9:1		THIRD ANGLE PROJECTION 	
DO NOT SCALE DRAWING		REV.: A			

Mouser Electronics

Authorized Distributor

Click to View Pricing, Inventory, Delivery & Lifecycle Information:

[Apem:](#)

[APTCFGP1VTR](#) [APTCFGP2VTR](#) [APTCFP1VTR](#) [APTCFP2VTR](#) [APTCLGVTR](#) [APTCLVTR](#) [APTFGP1VTR](#)
[APTFGP2VTR](#) [APTFP1VTR](#) [APTFP2VTR](#) [APTLGVTR](#) [APTLVTR](#) [APTCLGTVTR](#)