

TR series

Tiny washable rocker switches

Distinctive features and specifications



Sealed

- Single piece case
- O-ring seal between actuator and bushing
- Epoxy sealed terminals

Wide variety of contact materials

Same PCB layout as tiny toggle (TL), pushbutton (TP) and slide switches (TG)

ELECTRICAL SPECIFICATIONS

- Max. current/voltage rating with resistive load :
 - gold plated contacts : 0,4VA 20V max. AC or DC
 - silver plated contacts : 0,5A 48V max. AC or DC
- Minimum load : 10mA 50mV - 10 μ A 5VDC
- Contact resistance : 20 m Ω max.
- Insulation resistance : 1.000 M Ω min. at 500VDC
- Dielectric strength :
 - 1.000 Vrms 50 Hz min. between terminals and frame
 - 500 Vrms 50 Hz min. between terminals
- Electrical life at full load :

Contacts	Number of cycles	
	2 positions	3 positions
Gold plated	60.000	30.000
Silver plated	20.000	10.000

MATERIALS

- Case : PBT
- Actuator : polyamide
- Contacts and terminals :
 - 0 : brass, gold plated
 - 1 : brass, silver plated
 - 3 : brass, gold plated (1,27 micron gold)
 - 8 : contact brass, gold plated + tin plated terminals
 - 9 : contact brass, gold plated (1,27 micron gold) + tin plated terminals
- Terminal seal : epoxy

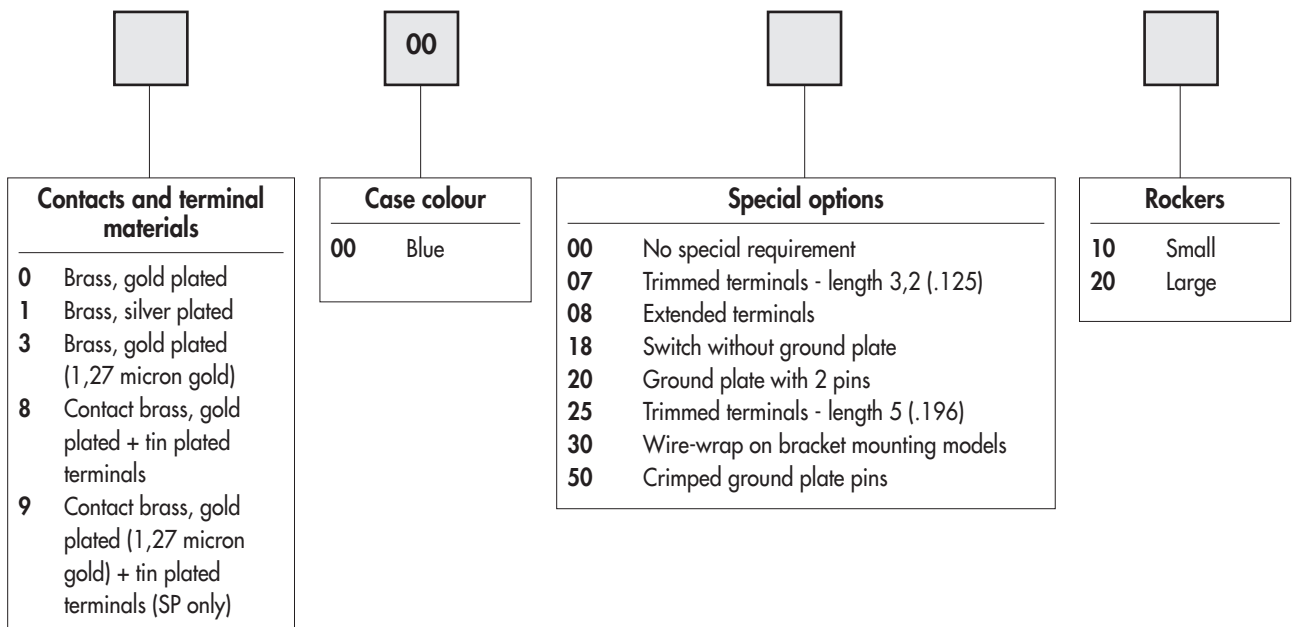
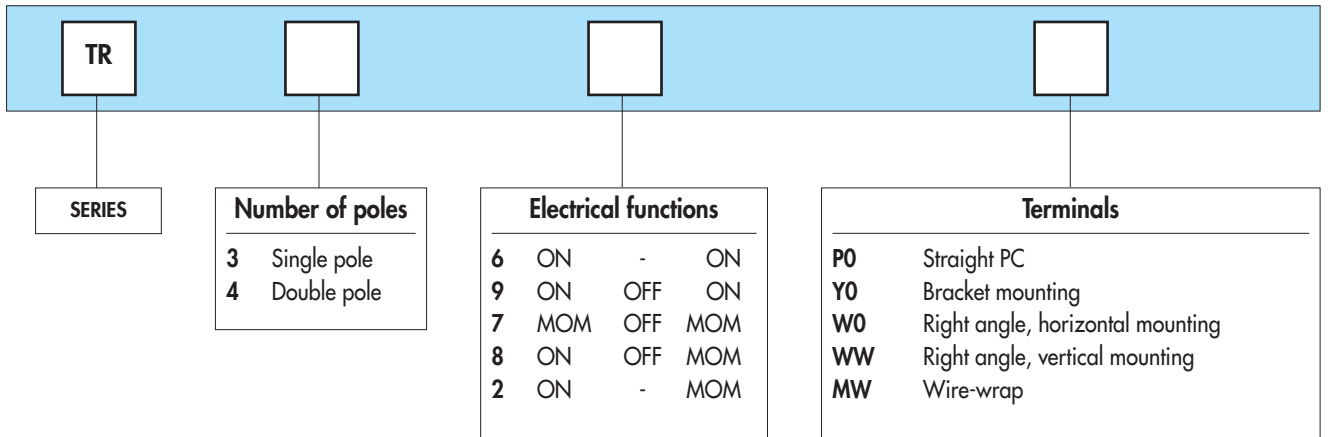
GENERAL SPECIFICATIONS

- Strength of terminals : pull-out force - 10N max.
- Operating temperature : -30°C to +85°C
- Moisture : 21 days 95 % (NFC 20-603 - IEC 68-2-3)
- Cleaning : solvents or water + detergent
- Wave soldering : 260°C - 5 sec.

TR series

Tiny washable rocker switches

Overview



ABOUT THIS SERIES

On the following pages, you will find successively :

- model structure of switches
- options in the same order as in above chart

Dimensions : first dimensions are in mm while inches are shown as bracketed numbers.



NOTICE : please note that not all combinations of above numbers are available. Refer to the following pages for further information.

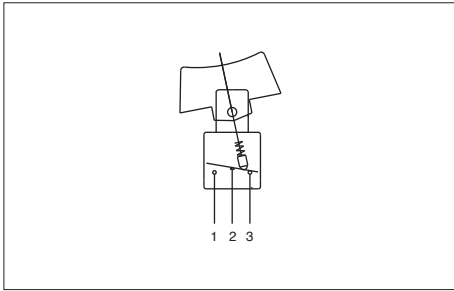


Packaging unit : 50 pieces.

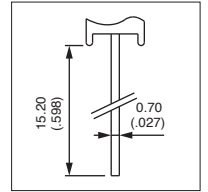
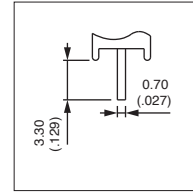
TR series

Tiny washable rocker switches

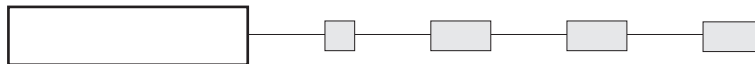
MODEL
STRUCTURE



- Straight PC, right angle or wire-wrap terminals
- 1 and 2 pole configurations



MODEL
STRUCTURE



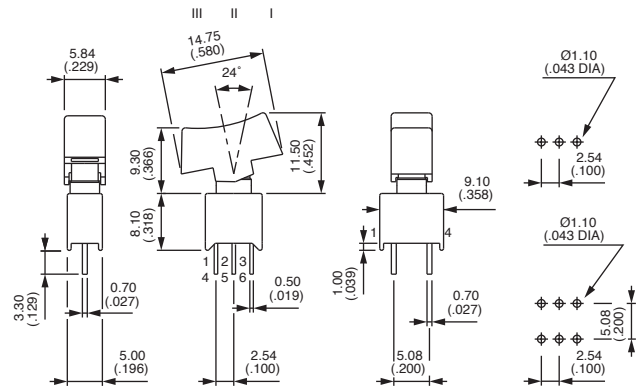
Shown with small rocker (code 10)

Straight PC terminals : TR..PO



Single pole	Double pole
TR36PO	TR46PO
TR39PO	TR49PO
TR37PO	TR47PO
TR38PO	TR48PO
TR32PO	TR42PO

III	II	I
ON	-	ON
ON	OFF	ON
MOM	OFF	MOM
ON	OFF	MOM
ON	-	MOM

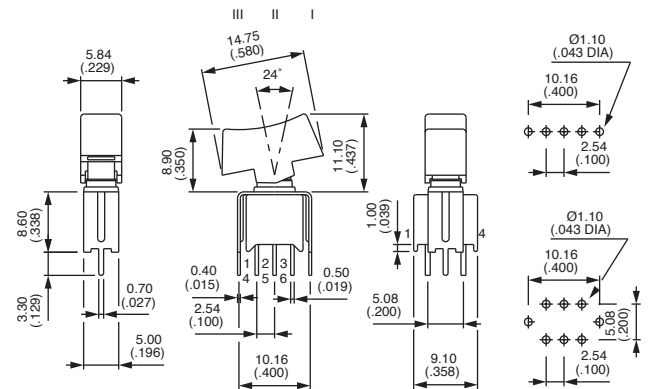


Straight terminals - bracket mounting : TR..YO



Single pole	Double pole
TR36YO	TR46YO
TR39YO	TR49YO
TR37YO	TR47YO
TR38YO	TR48YO
TR32YO	TR42YO

III	II	I
ON	-	ON
ON	OFF	ON
MOM	OFF	MOM
ON	OFF	MOM
ON	-	MOM

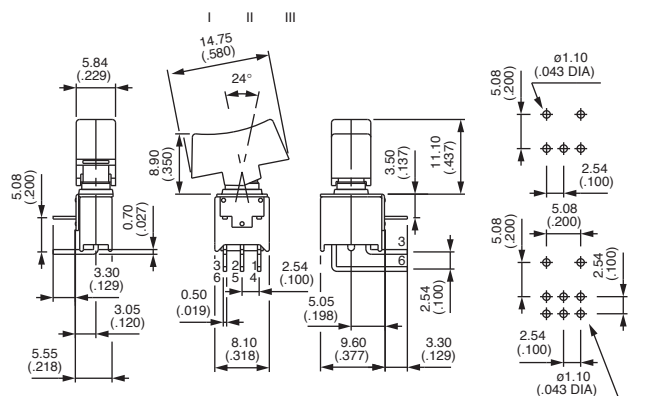


Right angle terminals - horizontal mounting : TR..WO



Single pole	Double pole
TR36WO	TR46WO
TR39WO	TR49WO
TR37WO	TR47WO
TR38WO	TR48WO
TR32WO	TR42WO

III	II	I
ON	-	ON
ON	OFF	ON
MOM	OFF	MOM
ON	OFF	MOM
ON	-	MOM





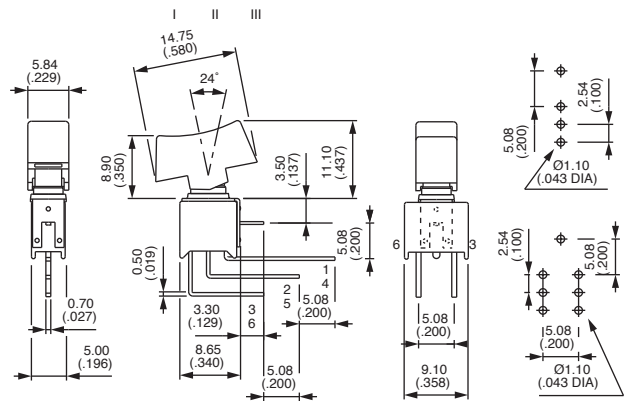
TR series

Tiny washable rocker switches

Right angle terminals - vertical mounting : TR..WW



	Single pole	Double pole	III	II	I
TR36WW	ON	-	ON		
TR39WW	ON	OFF	ON		
TR37WW	MOM	OFF	MOM		
TR38WW*	ON	OFF	MOM		
TR32WW*	ON	-	MOM		
TR46WW					
TR49WW					
TR47WW					
TR48WW*					
TR42WW*					

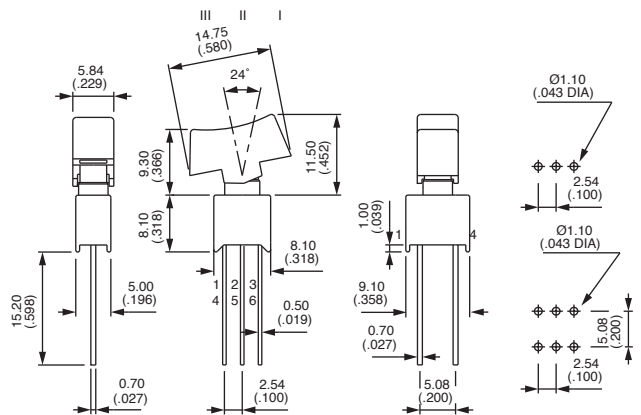


* Functions 2 and 8 : reversed connection available . Consult factory.

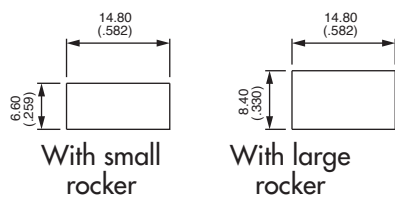
Wire-wrap terminals : TR..MW



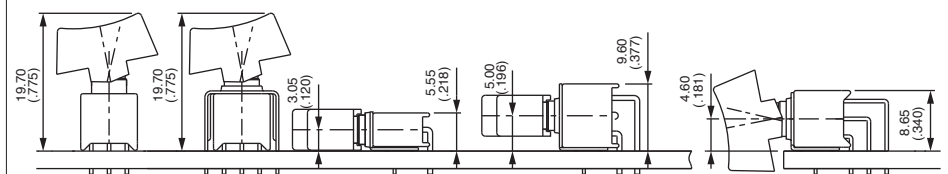
	Single pole	Double pole	III	II	I
TR36MW	ON	-	ON		
TR39MW	ON	OFF	ON		
TR37MW	MOM	OFF	MOM		
TR38MW	ON	OFF	MOM		
TR32MW	ON	-	MOM		
TR46MW					
TR49MW					
TR47MW					
TR48MW					
TR42MW					



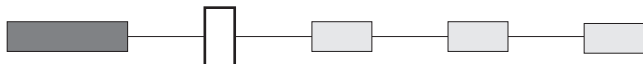
PANEL CUT-OUT



PCB MOUNTING

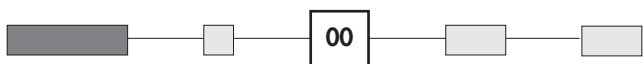


CONTACT AND TERMINAL MATERIALS



- 0 Brass, gold plated
- 1 Brass, silver plated
- 3 Brass, gold plated (1,27 micron gold)
- 8 Contact brass, gold plated + tin plated terminals
- 9 Contact brass, gold plated (1,27 micron gold) + tin plated terminals (single pole only)

CASE COLOUR



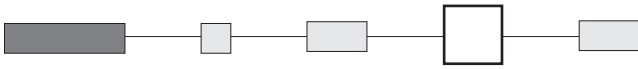
- 00 Blue

TR series

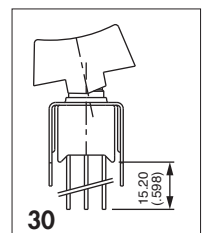
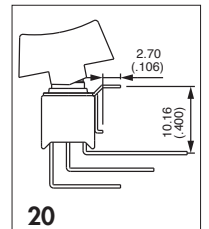
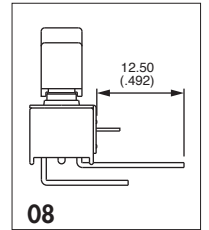
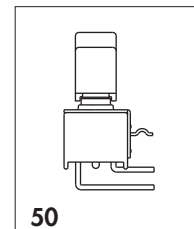
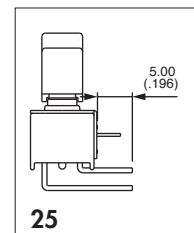
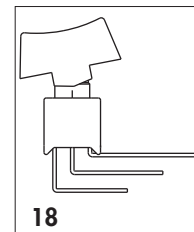
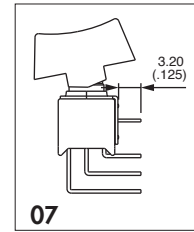
Tiny washable rocker switches



SPECIAL OPTIONS

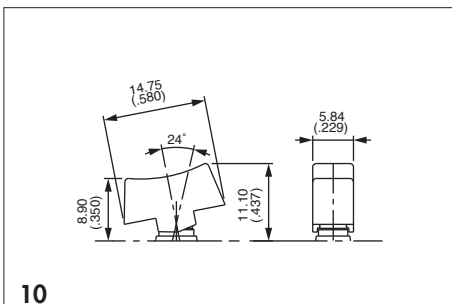
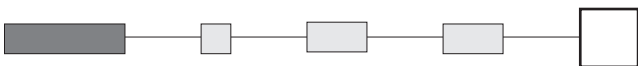


- 00** No special requirement
- 07** **Trimmed terminals** - length 3,2 mm (.125) for TR..WW models only
- 08** **Extended terminals** for TR..WO models only
- 18** Switch **without ground plate** for TR..WW models only
- 20** **Ground plate with 2 pins** for TR..WW models only
- 25** **Trimmed terminals** - length 5 mm (.196) for all models, except TR..WW
- 30** **Wire-wrap terminals** on models with mounting **bracket**
- 50** **Crimping of ground plate pins.**
Retains switch on PCB during handling and wave soldering.
For models TR..WO, TR..WW and TR..YO single and double pole.

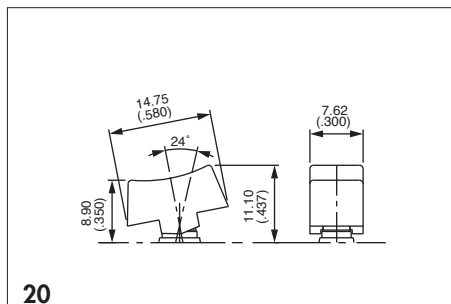


Marking on rocker : consult factory.

ROCKERS



10
Small



20
Large

Rocker colours	
Replace "0" by number	
1	blue
1/4	dark blue
2	black
3	green
4	grey
5	yellow
6	red
7	ivory
7/1	white
9	orange

Mouser Electronics

Authorized Distributor

Click to View Pricing, Inventory, Delivery & Lifecycle Information:

[Apem:](#)

[TR32W00000012](#) [TR36W00000012](#) [TR39W00000012](#) [TR36P00000012](#) [TR37P00000012](#) [TR39P00000012](#)
[TR46P00000012](#)