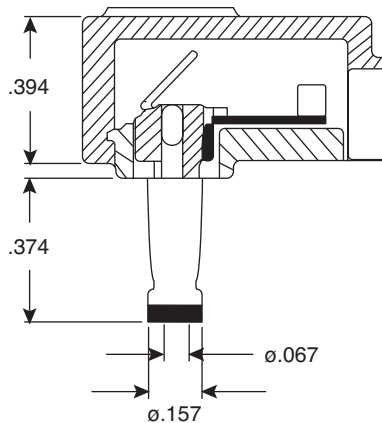
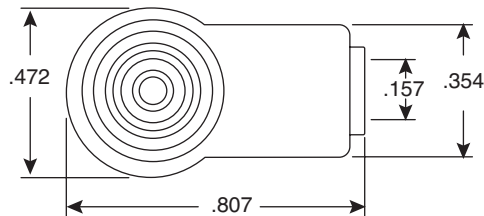
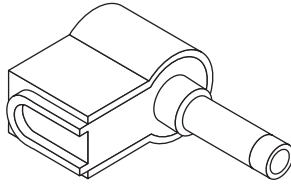


1.7mm DC Power Plug

171-3221-EX



1.7mm DC Power Plug



Dimensions: In.

SPECIFICATIONS	
Rated Current:	DC 2A @ each voltage section
Color:	black
RoHS Compliant by Exemption	

Date Last Revised: 12-9-05

Available from Mouser Electronics
1-800-346-6873
www.mouser.com

KC-300911

171-3221-EX

Mouser Electronics

Authorized Distributor

Click to View Pricing, Inventory, Delivery & Lifecycle Information:

[Kobiconn:](#)

[171-3221-EX](#)