

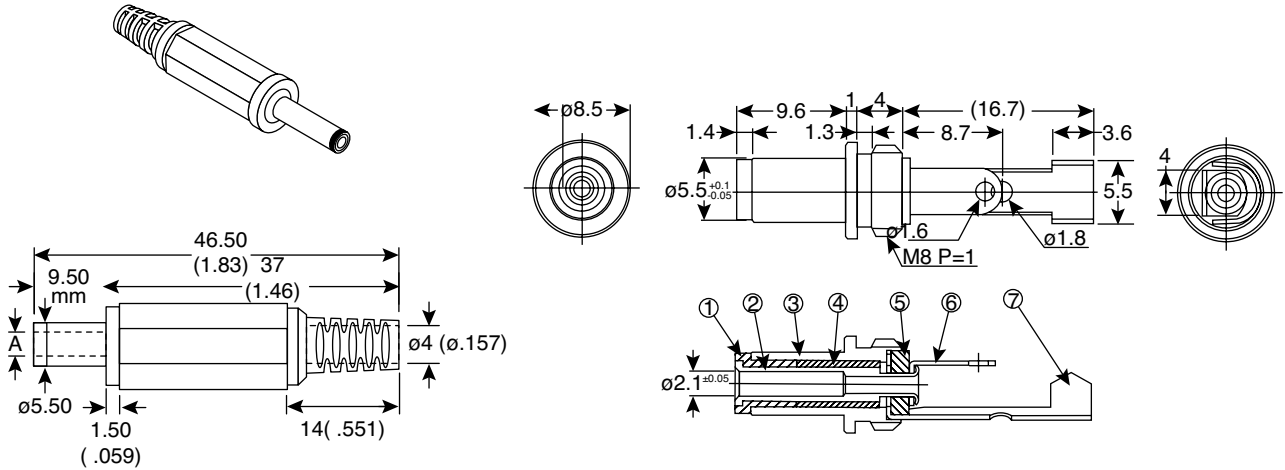
Plugs

171-3217-EX, 171-0702-EX



Plugs

171-3217-EX, 171-0702-EX



OD (flat to flat): .413 In.
OD (ridge to ridge): .443 In.

LET	PART NAME	MATERIAL	QTY	FINISH
1	Insulator A	POM	1	
2	Center Contact	BSBM	1	Ni
3	Sleeve Metal	BSBM	1	Ni
4	Insulator B	PVC	1	
5	Insulator C	PF	1	
6	Center Terminal	Steel t=0.4	1	Ni
7	Sleeve Terminal	Steel t=0.4	1	Ni

Dimensions: mm (in.)
(except where noted)

SPECIFICATIONS	
Type:	DC power w/strain relief
Rating:	12VDC .5A (171-3217-EX), 12VDC 1A (171-0702-EX)
Contact Resistance:	50mΩ max.
Insulator Resistance:	100MΩ min. @ 500VDC
Dielectric Strength:	500VAC for 1 minute
A:	ø2.1 + .05 - .03 x 9.5mm (171-3217-EX) ø2.5 + .05 x 9.5mm (171-0702-EX)
Sleeve, Contacts, Terminals:	nickel plated brass
Tip Insulator:	ebonite
Terminal Insulator:	bakelite
Cap:	polyethylene
Max Wire:	22 AWG
RoHS Compliant by Exemption	

Date Last Revised: 7-21-11

Available from Mouser Electronics
1-800-346-6873 / www.mouser.com

KC-300896

Specifications are subject to change without notice. No liability or warranty implied by this information. Environmental compliance based on producer documentation.

Mouser Electronics

Authorized Distributor

Click to View Pricing, Inventory, Delivery & Lifecycle Information:

[Kobiconn:](#)

[171-3217-EX](#) [171-0702-EX](#)