



Mallory Sonalert Products, Inc.

Part #: **ZA048SAMP1**

Sales Outline Drawing

Revision: **H**

Specifications:

Sound Level Category	Soft
Mode of Operation	Medium Pulse @ 5 PPS
Voltage Rating	28 to 48 VAC/DC
Frequency	3900 ± 500 Hz
Loudness @ 2 FT	65 to 75 dB(A) Typ.
Current Draw	40mA MAX
Housing Material	6/6 Nylon, Color: Black
Storage Temperature	-40° to +80° C
Operating Temperature	-30° to +65° C
Panel Mounting	Recommended hole size is 22.5 mm. Thread front will fit standard 22.5mm hole.
Knurled Nut	Used to attach part to panel. The max recommended torque is 10 in-lbs.
Weight (Typical)	28 g
NEMA 3R, 4X, & 12	Approved with use of included gasket.
Note	Supply voltage shall employ Transient Voltage Surge Suppression.
Options	Please contact factory.

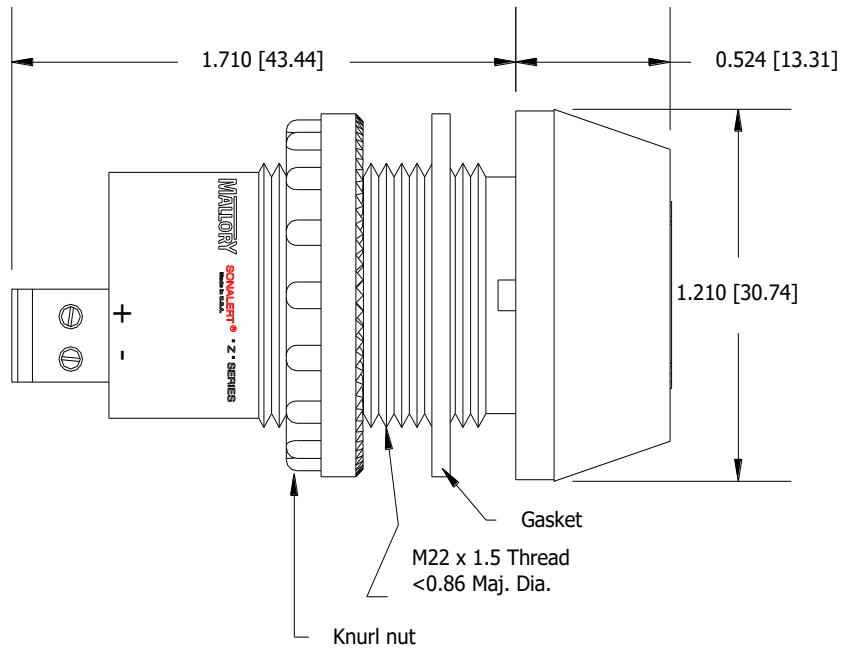
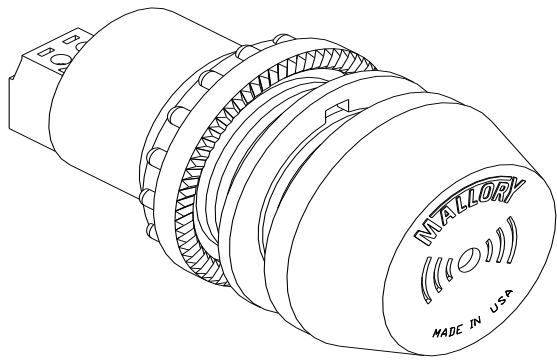
Dimensions:

Inches (mm)

cUL Recognized

ROHS Compliant

PATENT NUMBER 9576442



Mouser Electronics

Authorized Distributor

Click to View Pricing, Inventory, Delivery & Lifecycle Information:

[Mallory Sonalert:](#)

[ZA048SAMP1](#)