



**Mallory Sonalert Products, Inc.**

Part #: **ZA028LADT7**

**Sales Outline Drawing**

Revision: **E**

**Specifications:**

Sound Level Category	Loud
Mode of Operation	Dual Tone 3.8 - 3.7 kHz @ 7 WPS
Voltage Rating	16 to 28 VAC/DC
Frequency	3900 ± 500 Hz
Loudness @ 2 FT	85 to 95 dB(A) Typ.
Current Draw	40mA MAX
Housing Material	6/6 Nylon, Color: Black
Storage Temperature	-40° to +80° C
Operating Temperature	-30° to +65° C
Panel Mounting	Recommended hole size is 22.5 mm. Thread front will fit standard 22.5mm hole.
Knurled Nut	Used to attach part to panel. The max recommended torque is 10 in-lbs.
Weight (Typical)	28 g
NEMA 3R, 4X, & 12	Approved with use of included gasket.
cUL Recognition	cUL Recognized
Options	Please contact factory.

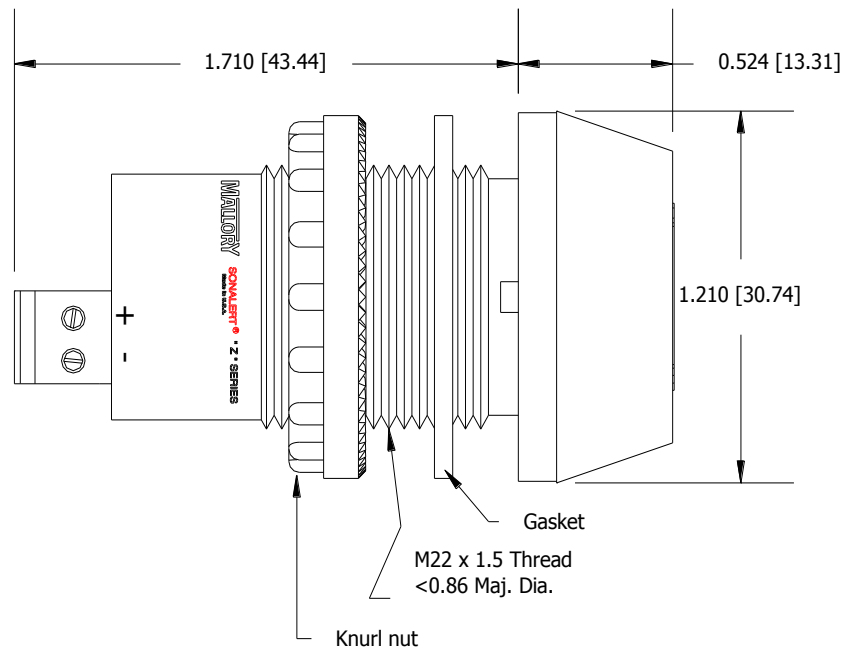
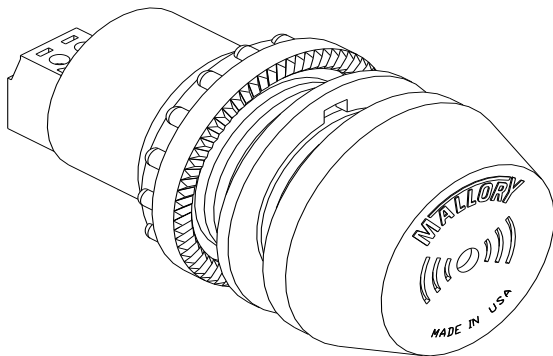
**Dimensions:** Inches (mm)

**cUL Recognized**

**ROHS Compliant**

PATENT NUMBER

9576442



# Mouser Electronics

Authorized Distributor

Click to View Pricing, Inventory, Delivery & Lifecycle Information:

[Mallory Sonalert:](#)

[ZA028LADT7](#)