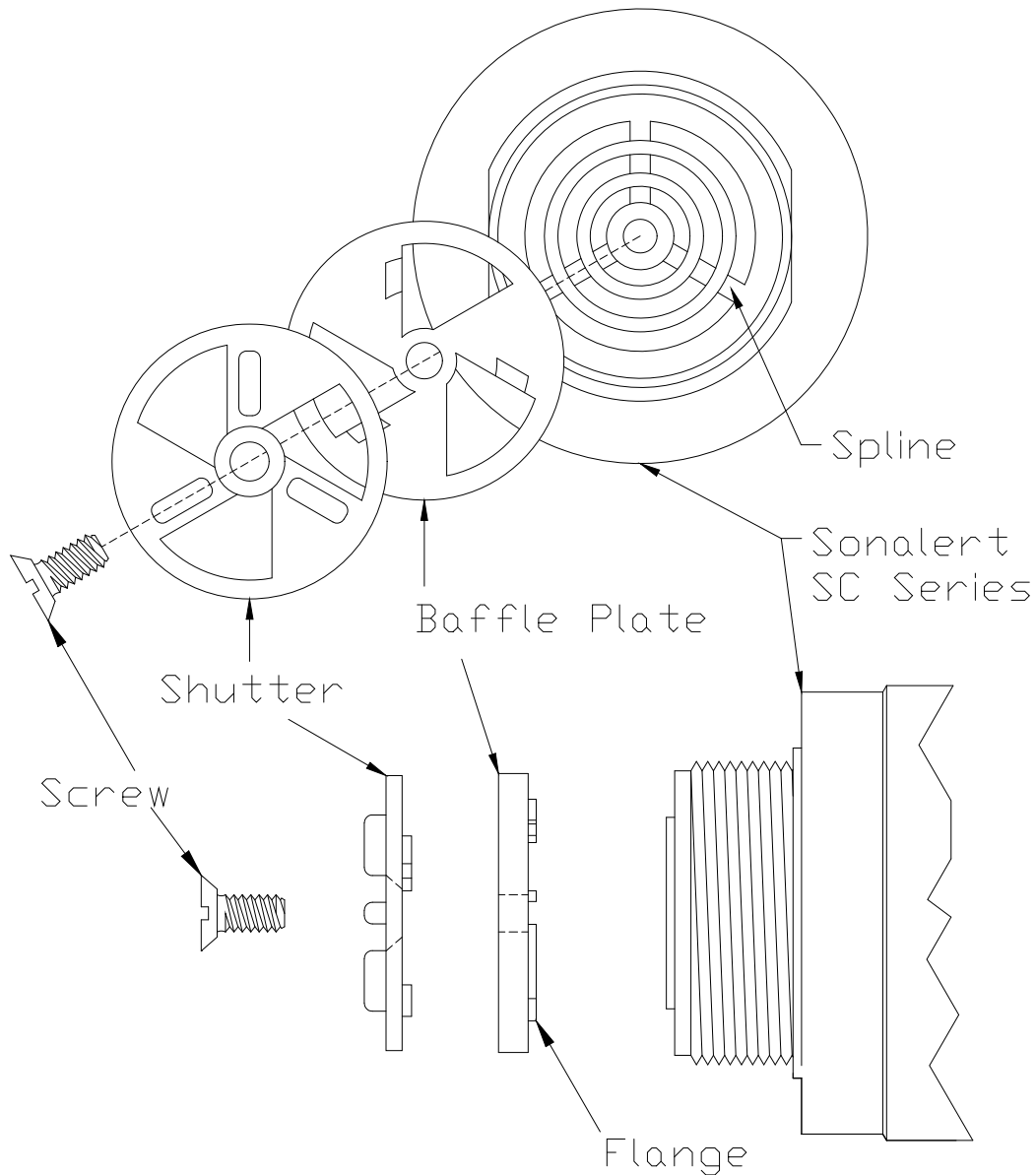


Manual Volume Control _ - ROHS Compliant

Produces approximately -10dB to -15db attenuation



Instructions for Assembly:

1. Place flange on the baffle plate over the spline in the grill of the Sonalert.
2. Attach shutter to the baffle plate.
3. Insert Snap Rivet or Screw through the center hole of the shutter and baffle plate.
Snap Rivet: Push the Snap Rivet into the front center hole until it snaps tightly into place.
Screw: Secure the screw into the front center hole of the Sonalert. Do not over tighten.
4. Adjust volume by rotating the shutter

Mouser Electronics

Authorized Distributor

Click to View Pricing, Inventory, Delivery & Lifecycle Information:

[Mallory Sonalert:](#)

[SCVC](#)