

Mallory Sonalert Products, Inc.

Part #:

SC616NR

Sales Outline Drawing

Revision:

F

Specifications:

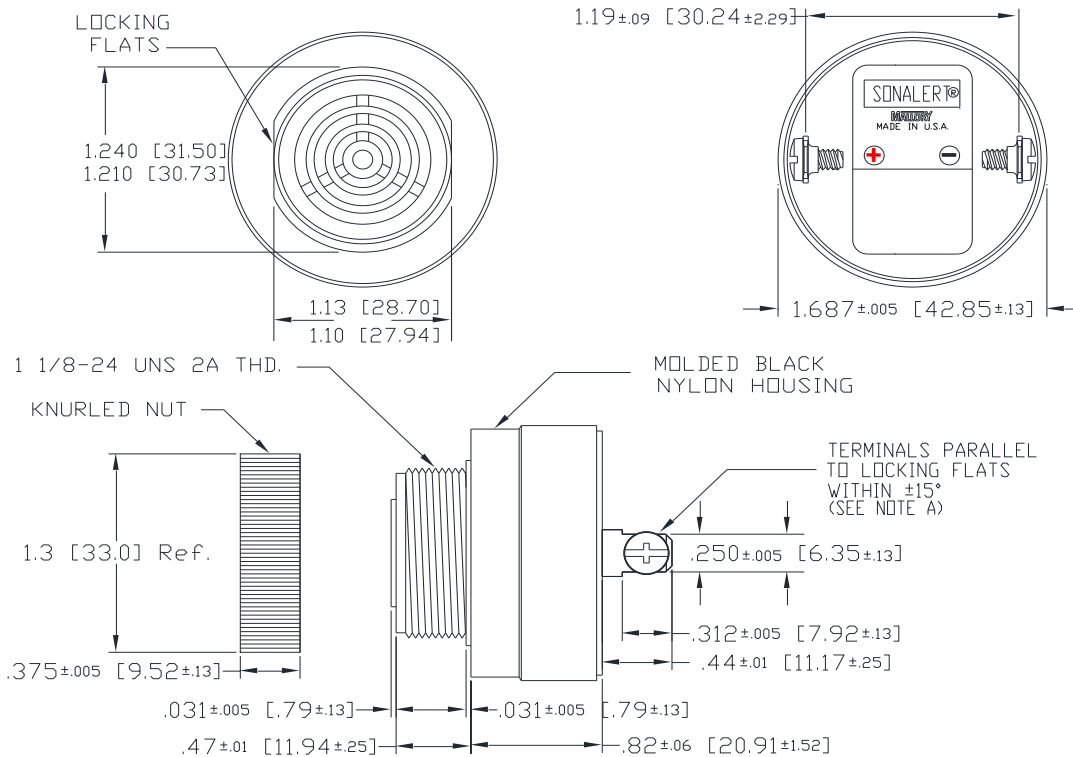
| | |
|-----------------------|--|
| Sound Level Category | Loud |
| Mode of Operation | Continuous |
| Voltage Rating | 6 to 16 VDC |
| Frequency | 2900 ± 500 Hz |
| Loudness @ 2 FT | 95 to 105 dB(A) Typ. |
| Loudness @ Min Vdc | 80 dB(A) @ 2 Feet and 6 Vdc |
| Loudness @ Max Vdc | 95 dB(A) @ 2 Feet and 16 Vdc |
| Current Draw | 6-22mA |
| Housing Material | 6/6 Nylon, Color: Black |
| Storage Temperature | -40° to +85° C |
| Operating Temperature | -30° to +65° C |
| Panel Mounting | Recommended hole size is 1.25"(31.75mm). Thread front will fit standard 30mm(1.181") hole. |
| Knurled Nut | Used to attach part to panel. The max recommended torque is 10 in-lbs. |
| Weight (Typical) | 1.6 oz (45g) |
| NEMA 3R,4X, & 12 | Approved with use of ACC03. |
| Options | Please contact factory. |

Dimensions:

Inches (mm)

cUL Recognized

ROHS Compliant



NOTE A: TERMINALS-.032 BRASS TIN PLATED, TAPPED FOR #6-32 SCREW. TWO #6-32 NICKEL PLATED BRASS SCREWS INCLUDED. WILL ACCEPT 1/4" QUICK CONNECT.

NOTE B: MOUNTING- REMOVE BLACK PLASTIC NUT AND INSERT THREADED FRONT THROUGH 1.25" HOLE PUNCHED IN PANEL, IF ORIENTATION IS NEEDED, NOTE LOCKING FLATS ON DRAWING. SCREW NUT BACK ON. DO NOT OVERTIGHTEN.

Mouser Electronics

Authorized Distributor

Click to View Pricing, Inventory, Delivery & Lifecycle Information:

[Mallory Sonalert:](#)

[SC616NR](#)