

May not be suitable for all medical and aerospace applications.

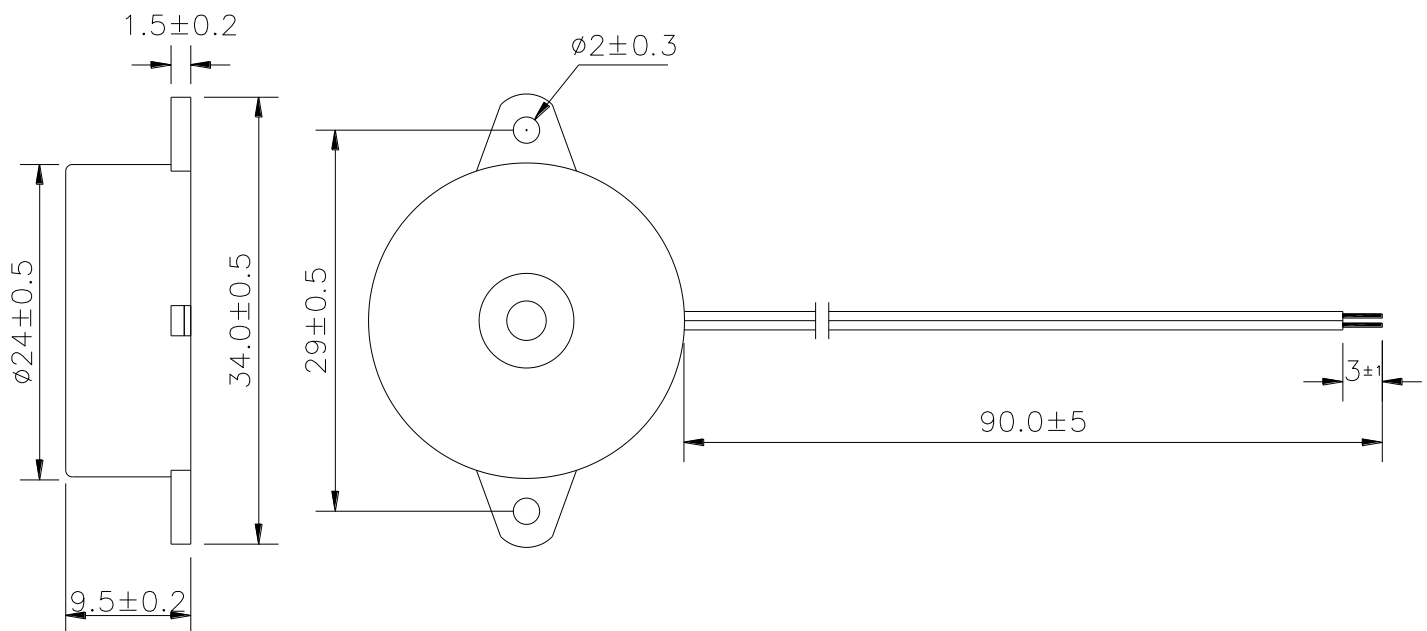
Specifications: Contact Mallory Sonalert to discuss your application.

Resonant Frequency (Hz)	3000 ± 500
Operating Voltage Max (Vp-p)	30
Rated Voltage (Vp-p)	5.0
Current Consumption Max. (mA)	3.0 at Rated Voltage
Sound Pressure Level Min. (dB)	90 at 10cm at Rated Voltage
Capacitance (pF)	20,000 ±30% @ 120Hz
Operating Temperature (°C)	-20 ~ +90
Storage Temperature (°C)	-30 ~ +100
Housing	ABS 777D UL94HB plastic resin (Color: Black)
Leading Wire	32 AWG
Weight (Grams)	2
Options	For other options contact factory

NO CIRCUITRY

Dimensions: (units: mm)

ROHS Compliant



Mouser Electronics

Authorized Distributor

Click to View Pricing, Inventory, Delivery & Lifecycle Information:

[Mallory Sonalert:](#)

[PT-2130WQ](#)