

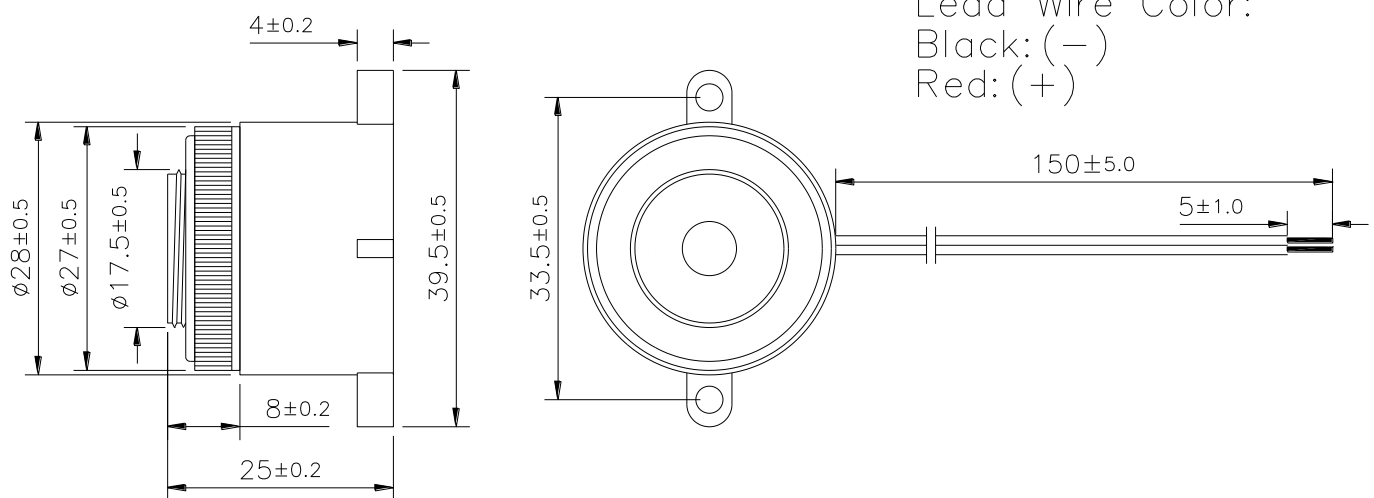
May not be suitable for all medical and aerospace applications.

Specifications: Contact Mallory Sonalert to discuss your application.

Resonant Frequency (Hz)	3500 ± 500
Operating Voltage (Vdc)	5 ~ 24
Rated Voltage (Vdc)	12
Current Consumption Max. (mA)	10 at Rated Voltage
Sound Pressure Level Min. (dB)	95 at 30cm at Rated Voltage
Tone/Pulse Rate (Hz)	Slow Pulse 1.2 ±20%
Operating Temperature (°C)	-20 ~ +70
Storage Temperature (°C)	-30 ~ +80
Housing	ABS 757 UL94HB plastic resin (Color: Black)
Leading Wire	28 AWG
Weight (Grams)	9.4
Mounting - Panel	Use 20-22 mm hole.
Mounting - Flange	Use 33.5 mm spaced 1/8" max hole.
Options	For other options contact factory

Dimensions: (units: mm)

ROHS Compliant



Mouser Electronics

Authorized Distributor

Click to View Pricing, Inventory, Delivery & Lifecycle Information:

[Mallory Sonalert:](#)

[PL-20A35EWQ](#)