



Mallory Sonalert Products, Inc.

Part #:

MSR414NR

Sales Outline Drawing

Revision:

E

Not for use in New Designs

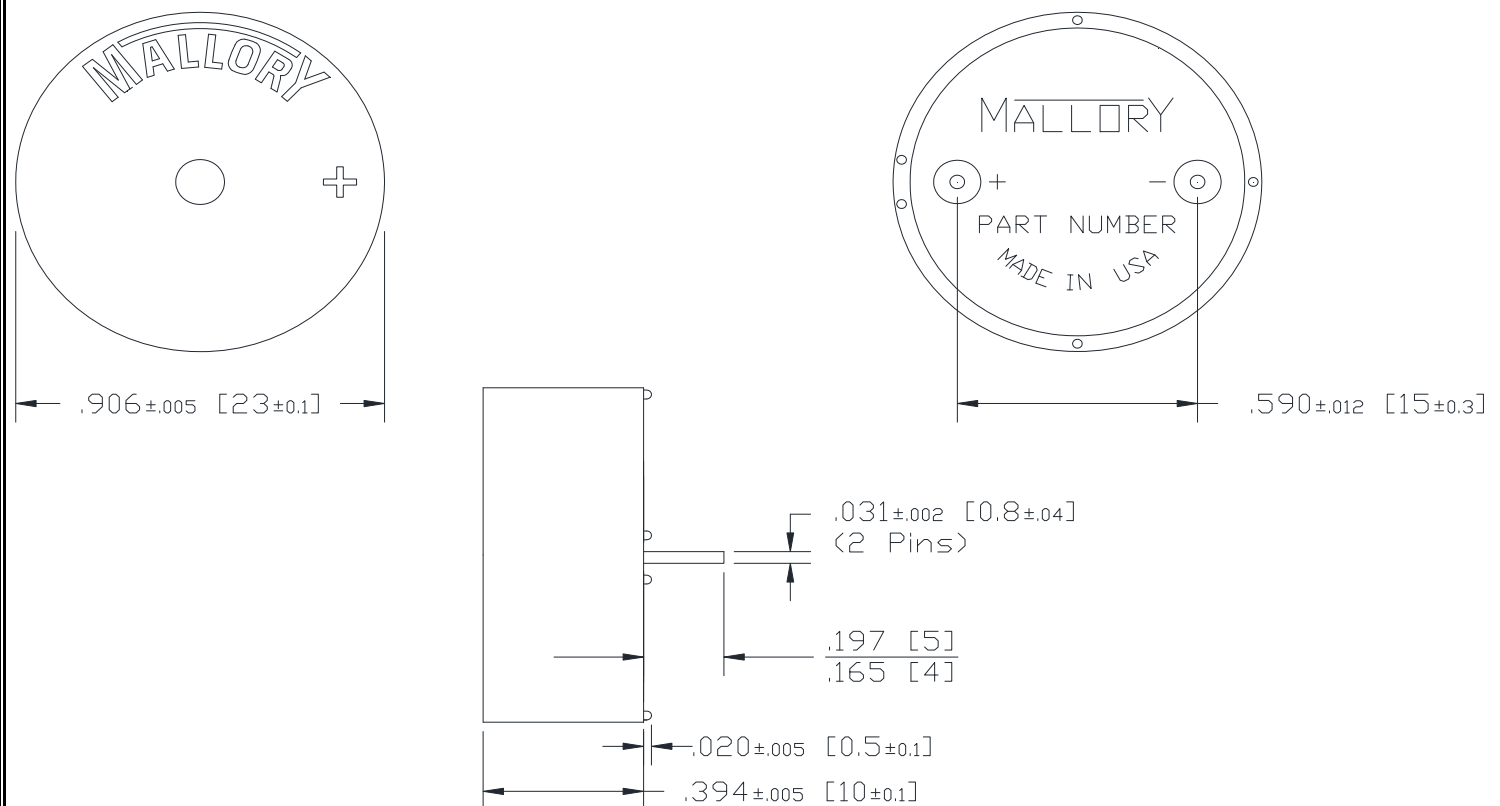
Use P/N MSR205NR or MSR516NR.

Specifications:

Sound Level Category	Loud
Mode of Operation	Continuous
Voltage Rating	4 to 10 VDC
Frequency	3900 ± 500 Hz
Loudness @ 1 FT	85 to 96 dB(A) Typ.
Current Draw	3-12mA
Housing Material	Valox (UL94V-0), Color Blue
Storage Temperature	-40° to +80° C
Operating Temperature	-40° to +65° C
Weight (Typical)	3.5g
Options	Please contact factory.

Dimensions: Inches (mm)

ROHS Compliant



NOTE A:
TERMINALS - .031" DIA. NICKEL/TIN COATED BRASS.

NOTE B:
MOUNTING- INSERT INTO PRINTED CIRCUIT BOARD AND HAND OR MACHINE SOLDER. UNITS ARE SUITABLE FOR WAVE SOLDERING. RECOMMENDED MAXIMUM TEMPERATURE AND TIME DURATION FOR WAVE SOLDERING IS +270°C AND 3 SECONDS RESPECTIVELY.

Mouser Electronics

Authorized Distributor

Click to View Pricing, Inventory, Delivery & Lifecycle Information:

[Mallory Sonalert:](#)

[MSR414NR](#)