



**Mallory Sonalert Products, Inc.**

Part #: **MSO206NR**

**Sales Outline Drawing**

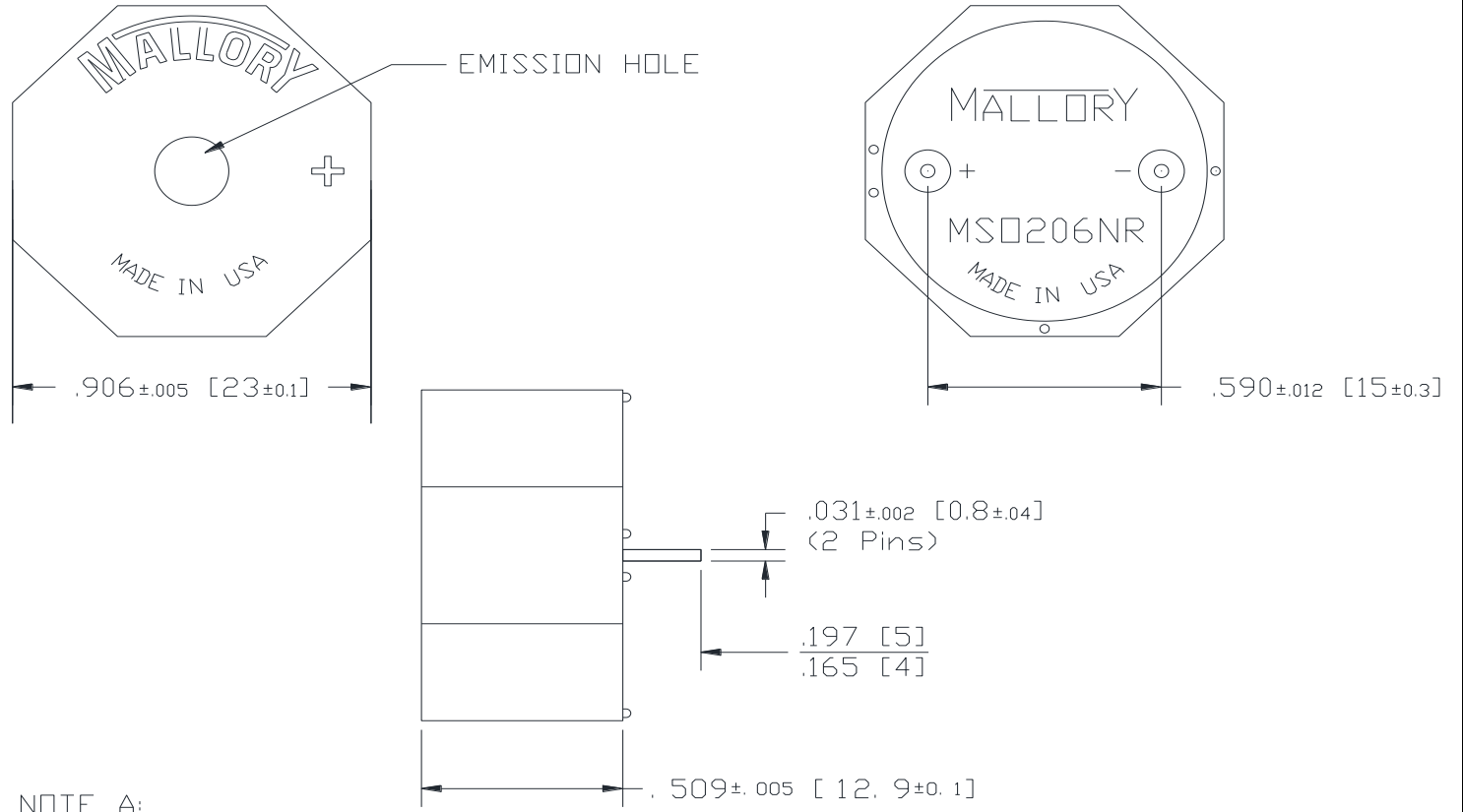
Revision: **J**

**Specifications:**

Sound Level Category	Loud
Mode of Operation	Continuous
Voltage Range	2 to 6 VDC
Frequency	3900 ± 500 Hz
Loudness @ 1 FT	90 to 99 dB(A) Typ.
Current Draw	20mA MAX
Housing Material	Valox (UL94V-0), Color Black
Storage Temperature	-30° to +70° C
Operating Temperature	-20° to +65° C
Weight (Typical)	3.5g
Options	Please contact factory.

**Dimensions:** Inches (mm)

**ROHS Compliant**



NOTE A:  
TERMINALS - .031" DIA. NICKEL/TIN COATED BRASS.

NOTE B:  
MOUNTING- INSERT INTO PRINTED CIRCUIT BOARD AND HAND OR MACHINE SOLDER.  
UNITS ARE SUITABLE FOR WAVE SOLDERING. RECOMMENDED MAXIMUM TEMPERATURE  
AND TIME DURATION FOR WAVE SOLDERING IS +270°C AND 3 SECONDS RESPECTIVELY.

# Mouser Electronics

Authorized Distributor

Click to View Pricing, Inventory, Delivery & Lifecycle Information:

[Mallory Sonalert:](#)

[MSO206NR](#)