

# Mallory Sonalert Products, Inc.

Part #:

**LSC110NR**

## Sales Outline Drawing

Revision:

**D**

### Specifications:

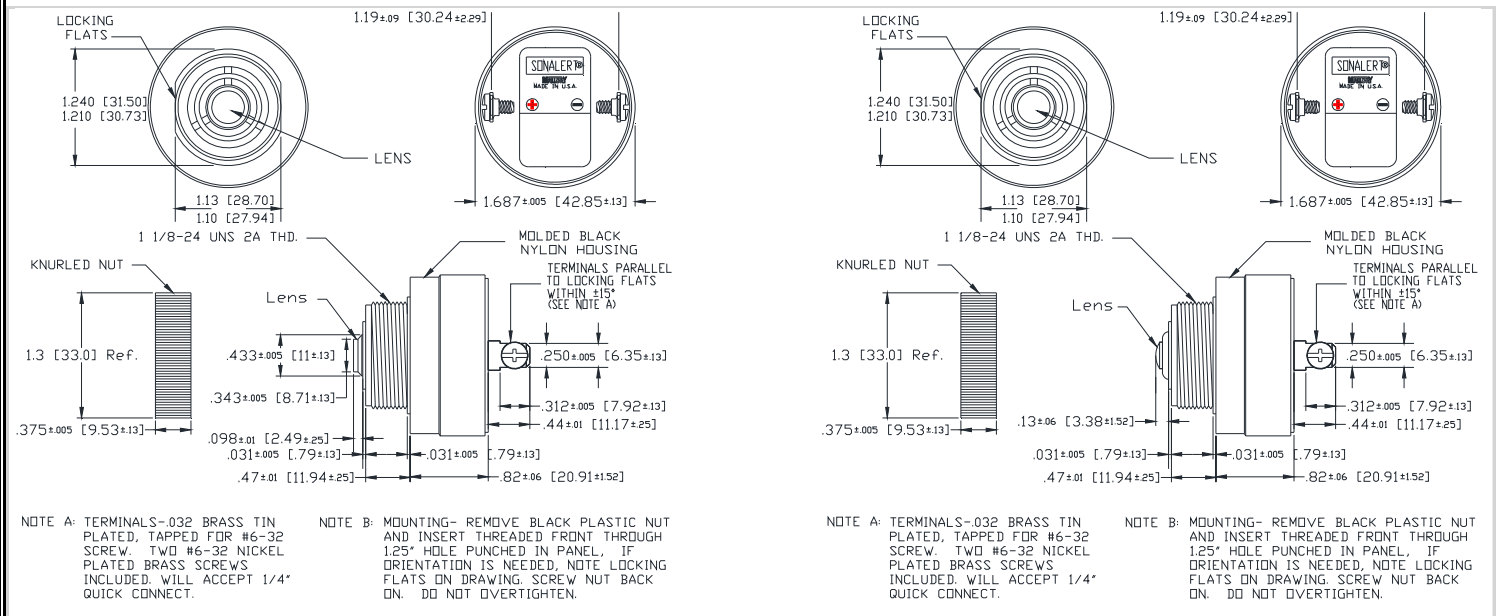
Sound Level Category	Loud
Mode of Operation	Continuous - LED Blinking @ $2 \pm 1.5$ PPS
Voltage Rating	30 to 120 VAC/DC
Frequency	$2900 \pm 500$ Hz
Loudness @ 2 FT	90 to 102 dB(A) Typ.
Loudness @ Min Vdc	80 dB(A) @ 2 Feet and 30 Vdc
Loudness @ Max Vdc	95 dB(A) @ 2 Feet and 120 Vdc
Current Draw	43-63mA
Duty Cycle (%)	50
Housing Material	6/6 Nylon, Color: Black
Storage Temperature	$-40^{\circ}$ to $+85^{\circ}$ C
Operating Temperature	$-30^{\circ}$ to $+65^{\circ}$ C
Panel Mounting	Recommended hole size is 1.25"(31.75mm). Thread front will fit standard 30mm(1.181") hole.
Knurled Nut	Used to attach part to panel. The max recommended torque is 10 in-lbs.
Weight (Typical)	1.6 oz (45g)
NEMA 3R,4X, & 12	Approved with use of ACC03.
Options	Please contact factory.

### Dimensions: Inches (mm)

Before Code Date: 2018 5

After Code Date: 2019 1

### ROHS Compliant



# Mouser Electronics

Authorized Distributor

Click to View Pricing, Inventory, Delivery & Lifecycle Information:

[Mallory Sonalert:](#)

[LSC110NR](#)