

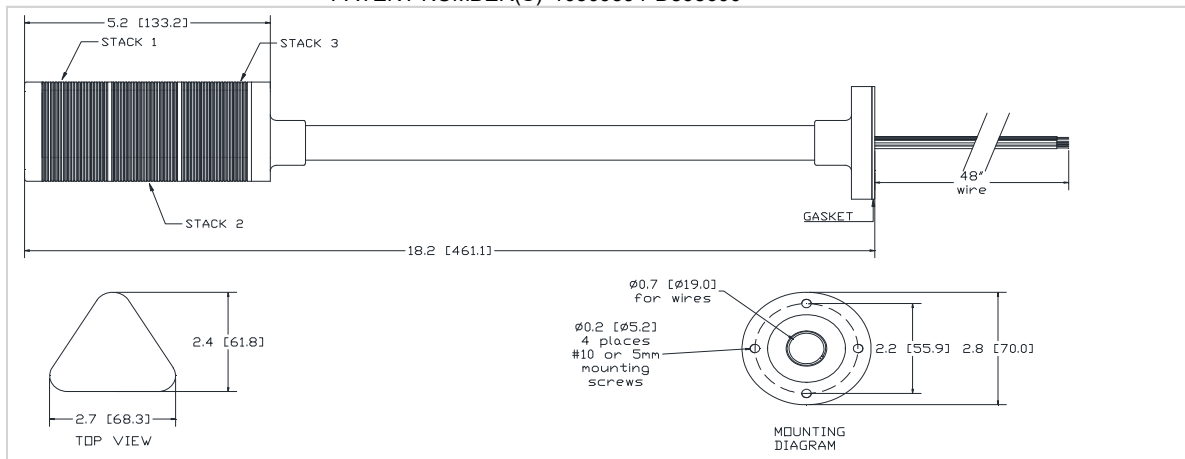
Sales Outline Drawing

Specifications:

Stack Number:	1	2	3		
LED Color:	RED	YELLOW	GREEN		
LED Operation:	Continuous	Continuous	Continuous		
Connection Wires:	Red and Brown	Yellow and Brown	Green and Brown		
LED Current Draw:	<50 mA	<60 mA	<40 mA		
Rated Voltage:	24 VAC/DC				
Operating Voltage:	20-28 VAC/DC				
Total Max Current:	<150mA				
Operating Temperature:	-25° ~ +60°C				
Lens Color:	Transparent - matching LED stack color				
Material:	Lexan CFR7431				
Mounting Method:	Stainless Steel Pole				
Weight Typical (g):	625				
NEMA 12:	Approved				
Options:	Please contact factory.				

Dimensions: Inches (mm) **cUL Recognized CE Certified** **ROHS Compliant**

PATENT NUMBER(S) 10309594 D898600



LED OPERATION: CONNECT STACK COLOR WIRE TO POWER AND BROWN WIRE TO POWER.

Mouser Electronics

Authorized Distributor

Click to View Pricing, Inventory, Delivery & Lifecycle Information:

[Mallory Sonalert:](#)

[JTC028-RYG-CS](#)