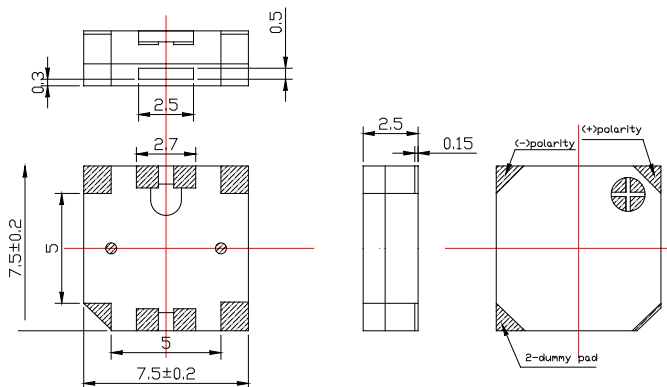


Sales Outline DrawingRevision **F**

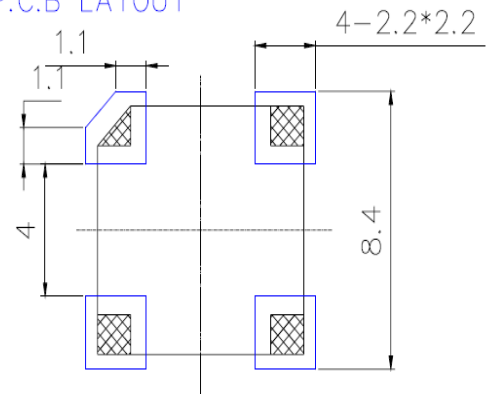
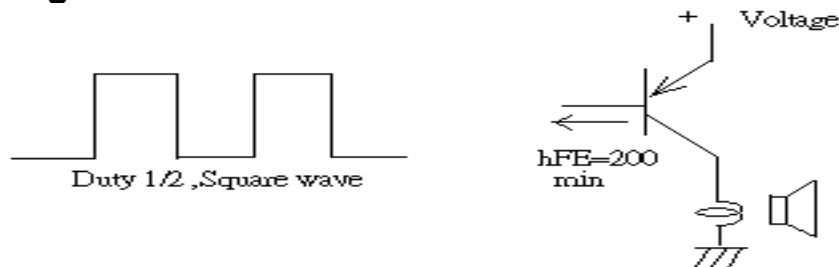
**May not be suitable for all Medical and Aerospace applications.
Contact Mallory Sonalert to discuss your application.**

NO CIRCUITRY

Oscillation Frequency (Hz)	2700
Operating Voltage (Vp-p)	2.5 ~ 4.5
Rated Voltage (Vp-p)	3.6
Current Consumption Max. (mA)	100 at Rated Voltage
Sound Pressure Level (dB/min)	85 at 10cm at Rated Voltage
Coil Resistance (Ω)	15 ± 3
Operating Temperature ($^{\circ}\text{C}$)	$-30 \sim +70$
Storage Temperature ($^{\circ}\text{C}$)	$-40 \sim +80$
Type of Connection Terminal	SMD
Housing	LCP plastic resin (Color : Black)
Weight (Grams)	2.0
Condition by reflow soldering ($^{\circ}\text{C}$)	$245 \pm 5 / 1 \text{ min}$
Condition by hand soldering ($^{\circ}\text{C}$)	$350 \pm 20 / \text{within } 5 \text{ sec}$
Options	For other options contact factory

Dimensions: (units: mm)**PS: Vp-p=1/2duty, square wave****RoHS Compliant**

RECOMMENDED P.C.B LAYOUT

**Recommend Driving Circuit****Packaging:**

Parts are supplied on reels (1000 pcs per tape and reel).

Units do not come with wash label and are not appropriate for aqueous wash.

Mouser Electronics

Authorized Distributor

Click to View Pricing, Inventory, Delivery & Lifecycle Information:

[Mallory Sonalert:](#)

[AST7525MATRQ](#)