

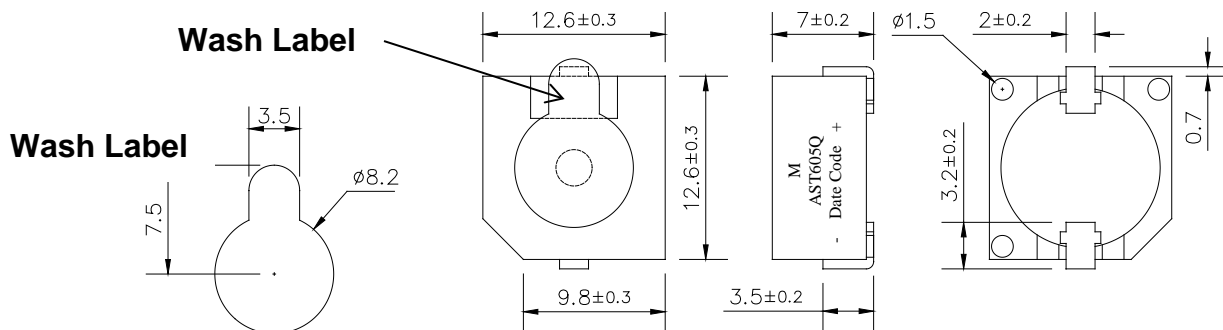
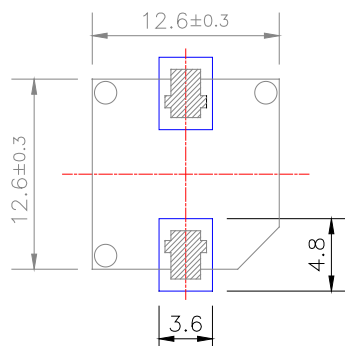
**May not be suitable for all Medical and Aerospace applications.
Contact Mallory Sonalert to discuss your application.**

NO CIRCUITRY

Oscillation Frequency (Hz)	2400 ± 400
Operating Voltage (Vp-p/max)	4.0 ~ 7.0
Rated Voltage (Vp-p)	5.0
Current Consumption Max. (mA)	50 at Rated Voltage
Sound Pressure Level Min. (dB/min)	87 at 10cm at Rated Voltage
Coil Resistance (Ω)	45 ± 8
Operating Temperature (°C)	-40 ~ +85
Storage Temperature (°C)	-40 ~ +85
Housing	PP0 plastic resin (Color: Gray)
Type of Connection	SMD
Weight (Grams)	2.2
Condition by reflow soldering (°C)	250 ±5 / within 5 sec
Condition by hand soldering (°C)	350 ±20 / within 5 sec
Options	For other options contact factory

Dimensions: (units: mm)

Vp-p = 1/2duty, square wave

ROHS Compliant**Recommended PCB Layout:****Packaging:**

Parts are supplied in tubes of 35 pieces.

Units come with wash label and are appropriate for aqueous wash.

Mouser Electronics

Authorized Distributor

Click to View Pricing, Inventory, Delivery & Lifecycle Information:

[Mallory Sonalert:](#)

[AST605Q](#)