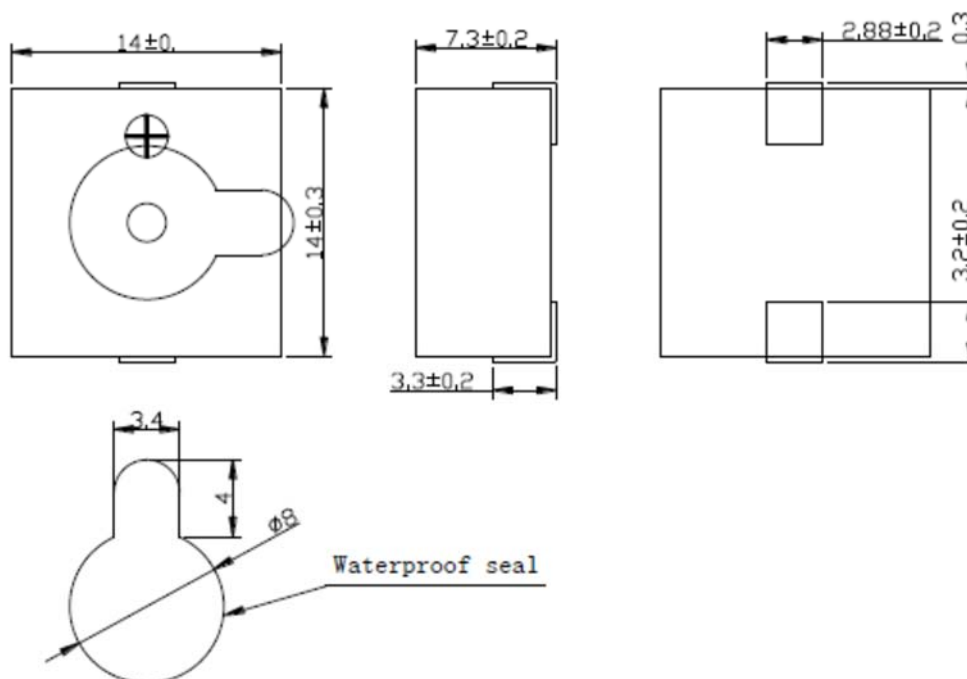


**May not be suitable for all Medical and Aerospace applications.
Contact Mallory Sonalert to discuss your application.**

Oscillation Frequency (Hz)	3500 ± 500
Operating Voltage (Vdc)	3.0 ~ 15
Rated Voltage (Vdc)	12
Current Consumption Max. (mA)	10 at Rated Voltage
Sound Pressure Level Min. (dB)	83 at 10cm at Rated Voltage
Tone/Pulse Rate	Constant
Operating Temperature (°C)	-20 ~ +100
Storage Temperature (°C)	-30 ~ +110
Housing	PPS (Black)
Type of Connection	SMD
Weight (Grams)	1.4
Condition by reflow soldering (°C)	250 ±5 / within 5 sec
Condition by hand soldering (°C)	350 ±20 / within 5 sec
Options	For other options contact factory

Dimensions: (units: mm)**ROHS Compliant****Packaging:**

Parts are supplied on Cut-Tape.

Units come with wash label and are appropriate for aqueous wash.

Mouser Electronics

Authorized Distributor

Click to View Pricing, Inventory, Delivery & Lifecycle Information:

[Mallory Sonalert:](#)

[ASI12N35MTRQ](#) [ASI12N35MQ](#) [ASI400](#) [ASI300](#)