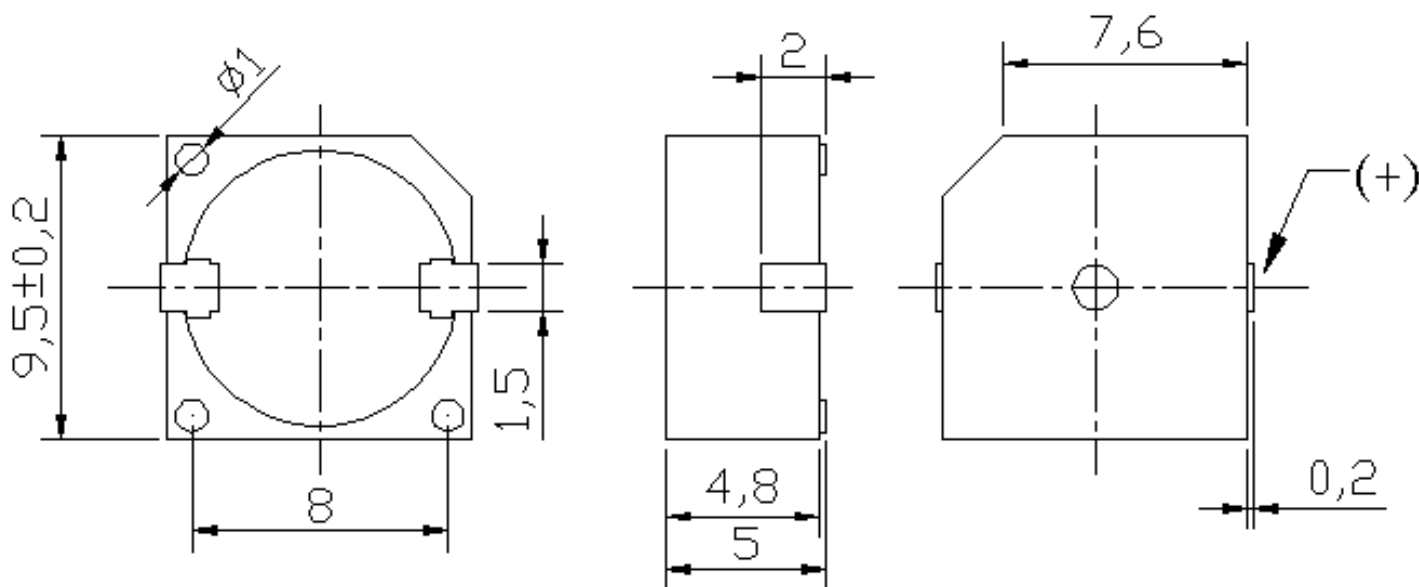


Sales Outline Drawing

**May not be suitable for all Medical and Aerospace applications.
Contact Mallory Sonalert to discuss your application.**

Oscillation Frequency (Hz)	2700 ± 300
Operating Voltage (Vdc)	3.0 ~ 7.0
Rated Voltage (Vdc)	5.0
Current Consumption Max. (mA)	30 at Rated Voltage
Sound Pressure Level (dB/min)	80 at 10cm at Rated Voltage
Tone/Pulse Rate	Constant
Operating Temperature (°C)	-20 ~ +70
Storage Temperature (°C)	-30 ~ +80
Lead Pin	SMD
Housing	PPS Plastic Resin (Black)
Condition by reflow soldering (°C)	250 ±5 / within 5 sec
Condition by hand soldering (°C)	350 ±20 / within 5 sec
Weight (Grams)	2.5
Options	For other options contact factory

Dimensions: (units: mm)**ROHS Compliant****Packaging:**

Parts are supplied on Cut-Tape.

Units do not come with wash label and are not appropriate for aqueous wash.

Mouser Electronics

Authorized Distributor

Click to View Pricing, Inventory, Delivery & Lifecycle Information:

[Mallory Sonalert:](#)

[ASI09N27M-05Q](#)