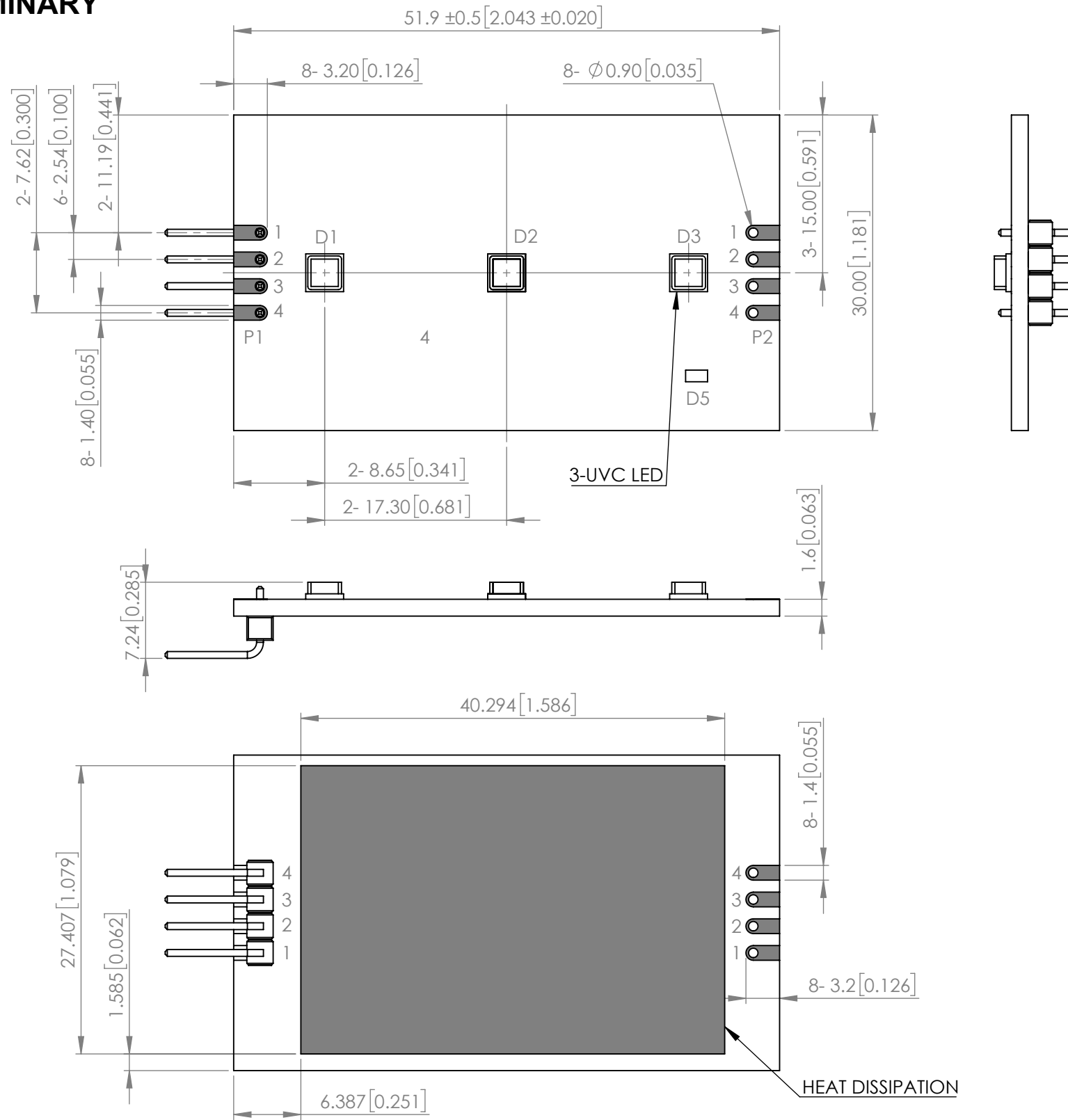


PRELIMINARY



ELECTRO-OPTICAL CHARACTERISTIC TA=25°C

| PARAMETER | MIN | TYP | MAX | UNITS |
|------------------------------|-------|-----|-----|-------|
| PEAK WAVELENGTH (SINGLE LED) | 265 | - | 285 | nm |
| FORWARD VOLTAGE (SINGLE LED) | 5 | - | 7 | Vf |
| RADIANT FLUX (SINGLE LED) | - | 10 | - | mW |
| EMITTED COLOR | UV | | | |
| LENS MATERIAL | GLASS | | | |

ABSOLUTE MAXIMUM RATINGS TA=25°C

| PARAMETER | MAX | UNITS |
|-------------------------|----------|-------|
| MAXIMUM FORWARD CURRENT | 450 | mA |
| FORWARD CURRENT | 300 | mA |
| POWER DISSIPATION | 2.97 | W |
| STORAGE TEMPERATURE | -40~+100 | °C |
| OPERATING TEMPERATURE | -40~+60 | °C |

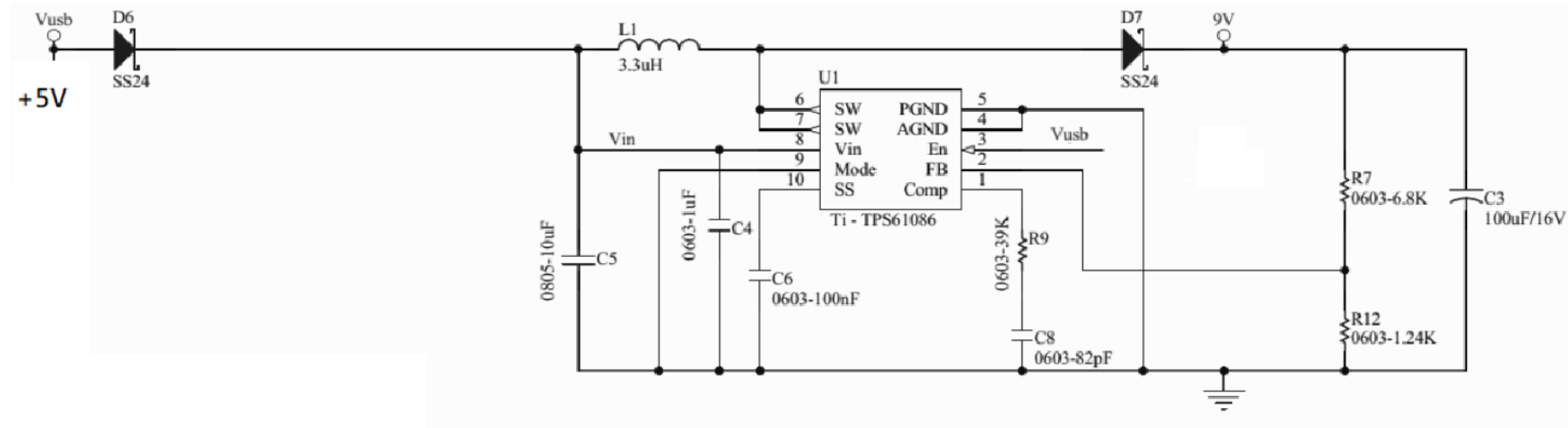
PIN ASSIGNMENT

| P1 | | P2 | |
|-----|--------|-----|--------|
| NO. | SYMBOL | NO. | SYMBOL |
| 1 | SENSE | 1 | NC |
| 2 | +9V | 2 | +9V |
| 3 | SWPWMX | 3 | NC |
| 4 | GND | 4 | GND |

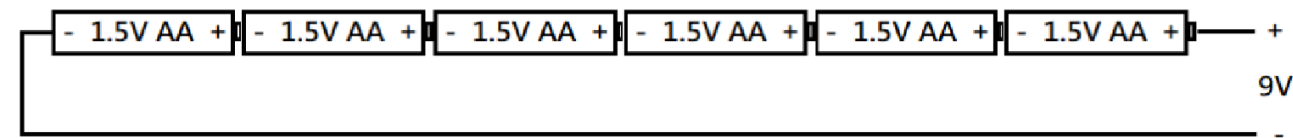
*UNLESS OTHERWISE SPECIFIED TOLERANCES PER DECIMAL PRECISION ARE: X=±1 (±0.039), X.X=±0.5 (±0.020), X.XX=±0.25 (±0.010), X.XXX=±0.127 (±0.005). LEAD SIZE=±0.05 (±0.002), LEAD LENGTH=±0.75 (±0.030). MIN= ^{+DECIMAL PRECISION}/_{-0.00} MAX.= ^{+0.00}/_{-DECIMAL PRECISION}

POWER SUPPLY RECOMMAND

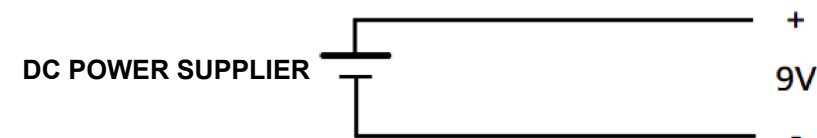
TYPE1 :




TYPE2 :



TYPE3 :



*UNLESS OTHERWISE SPECIFIED TOLERANCES PER DECIMAL PRECISION ARE: X=±1 (±0.039), X.X=±0.5 (±0.020), X.XX=±0.25 (±0.010), X.XXX=±0.127 (±0.005). LEAD SIZE=±0.05 (±0.002), LEAD LENGTH=±0.75 (±0.030). MIN= ^{+DECIMAL PRECISION}/_{-0.00} MAX.= ^{+0.00}/_{-DECIMAL PRECISION}

| | | | | |
|---|--|-------------------|-----------------|------|
|  <p>425 N. GARY AVE. CAROL STREAM, IL 60188 PHONE : 800-278-5666 FAX : 630-315-2150 WEB : WWW.LUMEX.COM</p> | 3.6(L)*3.6(W)mm, THREE UVC LED MODULE, DC 8V~9V INPUT | DATE : 2020.04.10 | DRAWN BY : C.C. | |
| | **THE SPECIFICATIONS MAY CHANGE AT ANY TIME WITHOUT NOTICE.** | PAGE : 2 OF 2 | CHKD BY : E.C. | |
| | CONFIDENTIAL INFORMATION | SCALE : NTF | APRVD BY : -- | |
| | THE INFORMATION CONTAINED IN THIS DOCUMENT IS THE PROPERTY OF LUMEX INC. EXCEPT AS SPECIFICALLY AUTHORIZED IN WRITING BY LUMEX INC., THE HOLDER OF THIS DOCUMENT SHALL KEEP ALL INFORMATION CONTAINED HEREIN CONFIDENTIAL AND SHALL PROTECT SAME IN WHOLE OR IN PART FROM DISCLOSURE AND DISSEMINATION TO ALL THIRD PARTIES. | UNIT : mm [INCH] | | (Pb) |

Mouser Electronics

Authorized Distributor

Click to View Pricing, Inventory, Delivery & Lifecycle Information:

[Lumex:](#)

[LDM-LXD3052030UVC](#)