

LUMEX *digi-lites* INC.

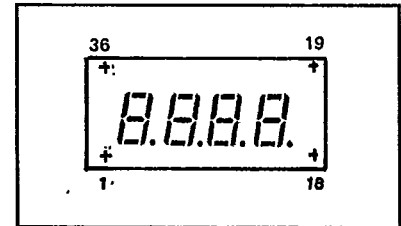
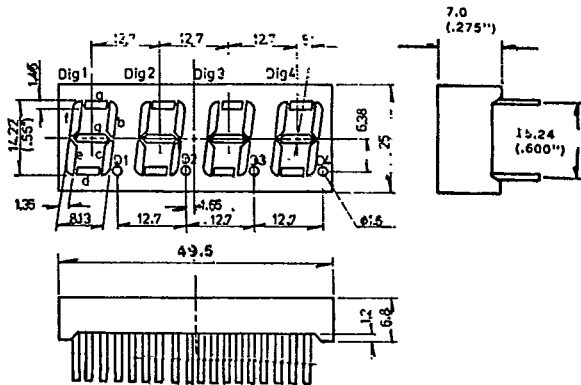
NUMERIC DISPLAYS QUAD DIGIT SERIES DIRECT DRIVE

0.56"

LDQ-

Line Item	Lumex Part Number		Colors		Ta = 25°C Absolute Maximum Ratings					Ta = 25°C Electrical-Optical Characteristics					
			Emitted		VR	IF	IFP	PD	TOPR	IF	VF typ.	VF max.	IV typ.	IR max.	IP
	Com. Anode	Com. Cathode	Font	Segment	V	mA	mA	mw	°C	mA	V	V	μcd	μA	nm
1	LDQ-A511RI	LDQ-C511RI	Red		5	25	55	400	-25 ~ +80°	20	1.7	2.0	400	100	655
			Gray	White											
2	LDQ-A512RI	LDQ-C512RI	Green		5	20	50	416	-25 ~ +80°	10	2.2	2.6	1400	100	568
			Gray	White											
3	LDQ-A513RI	LDQ-C513RI	Yellow		5	20	50	416	-25 ~ +80°	10	2.1	2.6	1200	100	585
			Gray	White											
4	LDQ-A514RI	LDQ-C514RI	Orange/Red		5	20	50	416	-25 ~ +80°	10	2.1	2.6	1400	100	635
			Gray	White											
5	LDQ-A515RI	LDQ-C515RI	Hi-Red		5	20	50	416	-25 ~ +80°	10	2.1	2.6	600	100	700
			Gray	White											
6	LDQ-A516RI	LDQ-C516RI	Super-Red		5	25	55	400	-25 ~ +80°	20	1.8	2.1	2800	100	660
			Gray	White											

PACKAGE DIMENSIONS & PIN FUNCTIONS



NOTE:
 1. ALL DIMENSIONS ARE IN MILLIMETERS AND INCHES TOLERANCE IS 0.25(0.01") UNLESS OTHERWISE IS SPECIFIED.
 2. IV TESTED CONDITION IF = 10mA AND THE LISTED IV IS THE AVERAGE INTENSITY FOR EVERY SEGMENT LISTED.

- Com. Cathode
- | | | | |
|--------------|---------------|---------------------|---------------------|
| 1. Anode E1 | 10. Anode E3 | 19. Anode B4 | 28. Anode B2 |
| 2. Anode D1 | 11. Anode D3 | 20. Anode A4 | 29. Anode A2 |
| 3. Anode C1 | 12. Anode C3 | 21. Anode F4 | 30. Anode F2 |
| 4. Anode DP1 | 13. Anode DP3 | 22. D4 Com. Cathode | 31. D2 Com. Cathode |
| 5. Anode E2 | 14. Anode E4 | 23. D3 Com. Cathode | 32. D1 Com. Cathode |
| 6. Anode D2 | 15. Anode D4 | 24. Anode B3 | 33. Anode B1 |
| 7. Anode G2 | 16. Anode G4 | 25. Anode A3 | 34. Anode A1 |
| 8. Anode C2 | 17. Anode C4 | 26. Anode G3 | 35. Anode G1 |
| 9. Anode DP2 | 18. Anode DP4 | 27. Anode F3 | 36. Anode F1 |

Mouser Electronics

Authorized Distributor

Click to View Pricing, Inventory, Delivery & Lifecycle Information:

[Lumex:](#)

[LDQ-A515RI](#)