

ROTARY SWITCH



GCK ROTARY SWITCH

ELECTRICAL & MECHANICAL SPECIFICATION

| | | | |
|-------------------------------|------------------------------|------------------------------------|------------------------|
| Switch Rating: | 150mA @ 24V ac/dc | Life: | >10,000 Cycles |
| Proof Voltage: | 250V ac (Initial) | Operating Temperature: | -30°C to +85°C |
| Insulation Resistance: | >999 MΩ at 500V dc (Initial) | Operating Torque (nominal): | Standard 4.7 ± 0.5 cNm |
| Contact Resistance | <50 mΩ (Initial) | End Stop Torque (nominal): | 0.8 Nm |
| Terminal Material: | Brass, CZ108 Sn Plated | Housing/Bush Material | Polyamide 6.6 G.F |

FEATURES

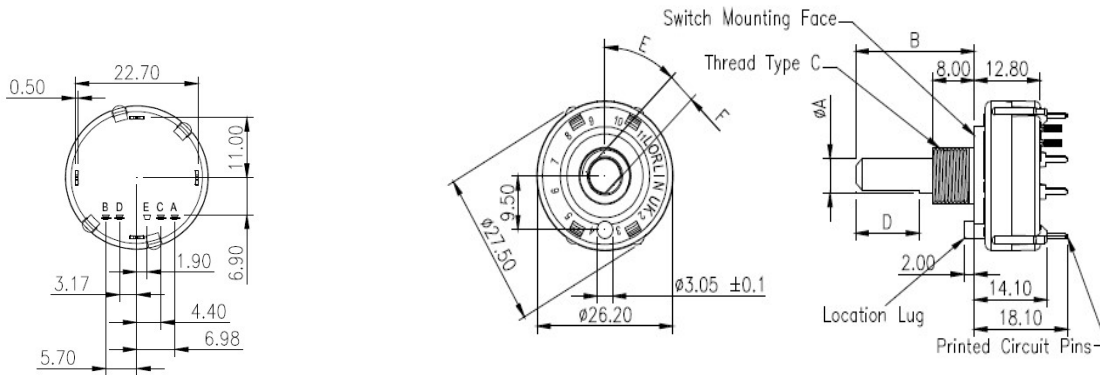
Gray coded, standard and complimentary versions

Standard 22.5° indexing 4-Bit PCB Terminals
Standard 45° indexing 3-Bit + extra stabilising terminals

Adjustable stops to restrict number of positions

Moulded 27.5mm diameter Standard silver contacts, gold flashed or gold plated also available
UL-V0 rated material option

Spindles with special flats, slots or knurls Made in the UK



STANDARD PART NUMBERS

| BASIC TYPES | SPINDLE DIAMETER | SPINDLE LENGTH FROM MOUNTING FACE | 8mm LONG BUSH | SPINDLE FLAT LENGTH | ANGLE OF SPINDLE FLAT | SPINDLE FLAT THICKNESS |
|-------------|------------------|-----------------------------------|---------------|---------------------|-----------------------|------------------------|
| IMPERIAL | 6.35mm | 38mm | 9.52 x 32TPI | 30mm | 90° | 5.5mm |
| METRIC | 6.00mm | 50mm | M10 x 0.75 | No Flat | --- | --- |

| | STANDARD METRIC | | STANDARD IMPERIAL | |
|------------------------------------|-----------------|----------|-------------------|---------|
| | Stop | No Stop | Stop | No Stop |
| 4-Bit Gray – Standard Spindle | GCK 1016 | GCK 1017 | GCK1018 | GCK1019 |
| 4-Bit Gray Comp – Standard Spindle | GCK 1020 | GCK1021 | GCK1022 | GCK1023 |
| 3-Bit Gray – Standard Spindle | GCK 1024 | GCK1025 | GCK1026 | GCK1027 |
| 3-Bit Gray Comp – Standard Spindle | GCK 1028 | GCK1029 | GCK1030 | GCK1031 |

| COMMON E Connection to Terminals | | | | |
|----------------------------------|---|---|---|---|
| Position | A | B | C | D |
| 0 | | | | * |
| 1 | | | | * |
| 2 | | | * | * |
| 3 | | | * | |
| 4 | | * | * | |
| 5 | | * | * | * |
| 6 | | * | | * |
| 7 | | * | | |
| 8 | * | * | | |
| 9 | * | * | | * |
| A | * | * | * | * |
| B | * | * | * | * |
| C | * | * | * | * |
| D | * | * | * | * |
| E | * | * | * | * |
| F | * | * | * | * |

LORLIN GRAY CODED COMMON -4-BIT

| COMMON E Connection | | | |
|---------------------|---|---|---|
| Position | A | B | C |
| 0 | | | |
| 1 | | | * |
| 2 | | * | * |
| 3 | | * | * |
| 4 | * | * | * |
| 5 | * | * | * |
| 6 | * | * | * |
| 7 | * | * | * |

LORLIN GRAY CODED COMMON -3-BIT

STD - COUNT UP MIN - MAX
 COMP - COUNT DOWN - MAX - MIN
 AS ROTATED CLOCKWISE

SPINDLE DIMENSIONS

| | A | B | C | D | E | F |
|-------------|------------------|-----------------------------------|---------------|---------------------|-----------------------|--------------------|
| BASIC TYPES | SPINDLE DIAMETER | SPINDLE LENGTH FROM MOUNTING FACE | 8mm LONG BUSH | SPINDLE FLAT LENGTH | ANGLE OF SPINDLE FLAT | SPINDLE FLAT DEPTH |
| IMPERIAL | 6.35mm | 38mm | 9.52 x 32TPI | 30mm | 90° | 5.5mm |
| METRIC | 6.00mm | 50mm | M10 x 0.75 | No Flat | --- | --- |

STANDARD SCREWDRIVER SLOT ANGLES

Standard screwdriver slots are 1.2mm wide and 1.5mm deep.



TYPICAL SPINDLE DETAILS



Orientation with location lug in position shown.



EXAMPLE

Screwdriver slot level with top of threaded fixing bush 1.2mm wide x 1.5mm deep (standard) at 90° (standard)

GCK ORDERING: DETAILS NEEDED

1. Switching Code
2. Imperial or Metric Spindle Diameter
3. Dimension (B) Spindle length from Mounting Face
4. Thread Required (C)
5. Spindle Flat length if required (D)
6. Angle of Flat (E)
7. Spindle Flat Depth (F)
8. 8 Position or No Stop Version
9. Contact Plating: Silver/Gold Flash/2.5 microns Gold Plate
10. Location Lug if required

Mouser Electronics

Authorized Distributor

Click to View Pricing, Inventory, Delivery & Lifecycle Information:

[Lorlin:](#)

[GCK1022](#) [GCK1023](#) [GCK1026](#) [GCK1027](#)