

ROTARY SWITCH

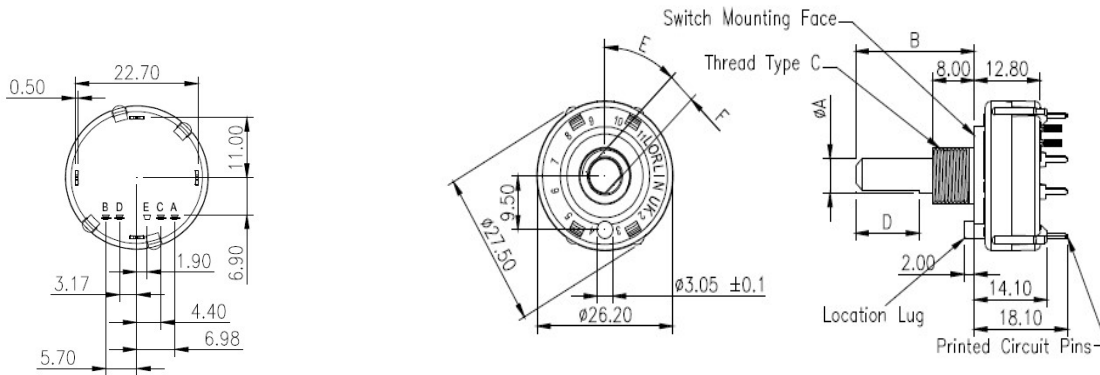
BCK ROTARY SWITCH

ELECTRICAL & MECHANICAL SPECIFICATION

Switch Rating:	150mA @ 24V ac/dc	Life:	>10,000 Cycles
Proof Voltage:	250V ac (Initial)	Operating Temperature:	-30°C to +85°C
Insulation Resistance:	>999 MΩ at 500V dc (Initial)	Operating Torque (nominal):	Standard 4.7 ± 0.5 cNm
Contact Resistance	<50 mΩ (Initial)	End Stop Torque (nominal):	0.8 Nm
Terminal Material:	Brass, CZ108 Sn Plated	Housing/Bush Material	Polyamide 6.6 G.F

FEATURES

Binary coded Hexadecimal and complimentary versions	Standard 22.5° indexing	PCB Terminals + extra stabilising terminals
Adjustable stops to restrict number of positions	Moulded 27.5mm diameter	Standard silver contacts, gold flashed or gold plated also available
Spindles with special flats, slots or knurls	Made in the UK	UL-V0 rated material option



STANDARD PART NUMBERS

BASIC TYPES	SPINDLE DIAMETER	SPINDLE LENGTH FROM MOUNTING FACE	8mm LONG BUSH		SPINDLE FLAT LENGTH	ANGLE OF SPINDLE FLAT	SPINDLE FLAT THICKNESS
			9.52 x 32TPI	M10 x 0.75			
IMPERIAL	6.35mm	38mm	9.52 x 32TPI	M10 x 0.75	30mm	90°	5.5mm
METRIC	6.00mm	50mm	M10 x 0.75	No Flat	No Flat	---	---

	STANDARD METRIC		STANDARD IMPERIAL	
	Stop	No Stop	Stop	No Stop
Hex (Code 033) – Standard Spindle	BCK1002 (no lug)	BCK1001 (no lug)	BCK1006 (lug)	BCK1005 (lug)
Comp (Code 043) – Standard Spindle	BCK1004 (no lug)	BCK1003 (no lug)	BCK1008 (lug)	BCK1007 (no lug)
Hex (Code 033) – Flush Slot	-	BCK1009 (lug)	BCK1014 (lug)	-
Comp (Code 042) – Flush Slot	-	-	BCK1019 (lug)	BCK1020 (lug)

(Please see drawing detail for lug reference)

COMMON E Connection to Terminals				
Position	A	B	C	D
1	*			
2		*		
3	*	*		
4			*	
5	*		*	
6		*	*	
7	*	*	*	
8				*
9	*			*
A		*		*
B	*	*		*
C			*	*
D	*		*	*
E		*	*	*
F	*	*	*	*
0				

LORLIN BINARY CODED HEXADECIMAL
START AT POSITION 1 - 16 POSITIONS

CODE 033

COMMON E Connection to Terminals				
Position	A	B	C	D
0				
1				*
2			*	
3			*	*
4		*		
5		*		*
6		*	*	
7		*	*	*
8	*			
9	*			*
A	*		*	
B	*	*	*	*
C	*	*		
D	*	*		*
E	*	*	*	
F	*	*	*	*

LORLIN BINARY CODED HEXADECIMAL
START AT POSITION 0 - 16 POSITIONS

CODE 042

COMMON E Connection to Terminals				
Position	A	B	C	D
F	*	*	*	*
E	*	*	*	
D	*	*		*
C	*	*		
B	*		*	*
A	*		*	
9	*			*
8	*			
7		*	*	*
6		*	*	
5		*		*
4		*		
3			*	*
2			*	
1				*
0				

LORLIN BINARY CODED HEXADECIMAL
START AT POSITION F - 16 POSITIONS

CODE 043

SPINDLE DIMENSIONS

	A	B	C	D	E	F
BASIC TYPES	SPINDLE DIAMETER	SPINDLE LENGTH FROM MOUNTING FACE	8mm LONG BUSH	SPINDLE FLAT LENGTH	ANGLE OF SPINDLE FLAT	SPINDLE FLAT DEPTH
IMPERIAL	6.35mm	38mm	9.52 x 32TPI	30mm	90°	5.5mm
METRIC	6.00mm	50mm	M10 x 0.75	No Flat	---	---

STANDARD SCREWDRIVER SLOT ANGLES

Standard screwdriver slots are
1.2mm wide and 1.5mm deep.



TYPICAL SPINDLE DETAILS



Orientation with location
lug in position shown.



EXAMPLE

Screwdriver slot level with top of threaded fixing
bush 1.2mm wide x 1.5mm deep (standard) at 90°
(standard)

BCK ORDERING: DETAILS NEEDED

1. Switching Code
2. Imperial or Metric Spindle Diameter
3. Dimension (B) Spindle length from Mounting Face
4. Thread Required (C)
5. Spindle Flat length if required (D)
6. Angle of Flat (E)
7. Spindle Flat Depth (F)
8. 16 Position or No Stop Version
9. Contact Plating: Silver/Gold Flash/2.5 microns
Gold Plate
10. Location Lug if required

Mouser Electronics

Authorized Distributor

Click to View Pricing, Inventory, Delivery & Lifecycle Information:

[Lorlin:](#)

[BCK1020](#) [BCK1007](#) [BCK1008](#) [BCK1019](#) [BCK1006](#)