

08010100 BATTERY DISCONNECT SWITCHES

300A • SPST • IP65 • M10 Studs • 360° rotation



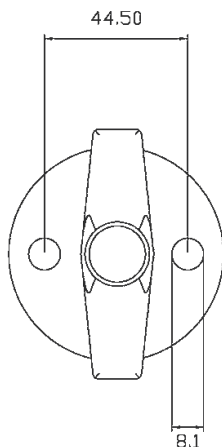
Description

Battery switch with a metal body, interchangeable with other products currently available on the market that share a similar footprint. The metal body of this battery switch is particularly robust and designed for use on agricultural machinery, construction equipment and commercial vehicles.

Features/Benefits

- 300A continuous current rating
- Fixed handle.
- Highly visible bright red handle.
- The “V contacts” position reduces risk of arcing
- Waterproof IP65

Mounting Diagram



Specifications

Max Operating Voltage:	24V DC
Max Continuous Current:	300A
Intermittent Current:	1000A at 10 sec
Operating Temp:	-40 °C to +80 °C
Ingress Protection:	IP65
Contacts:	Copper
Terminals:	M10 (brass)

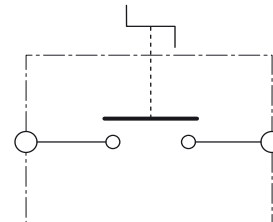
Applications

- Heavy trucks
- Commercial vehicles
- Buses
- Agricultural

Web Resources

Download 2D print and technical resources at:
littelfuse.com/ManualBatterySwitches

Electrical Diagram

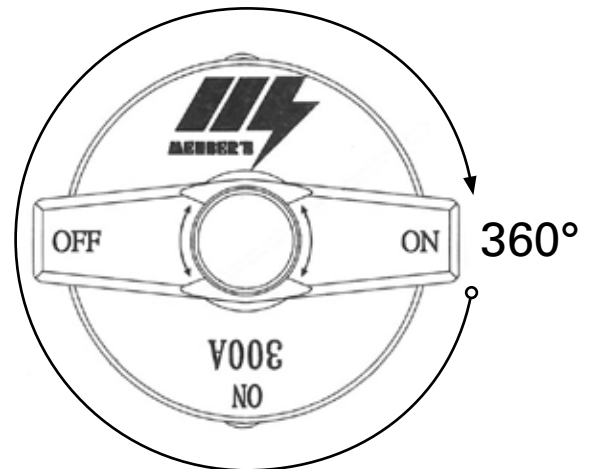
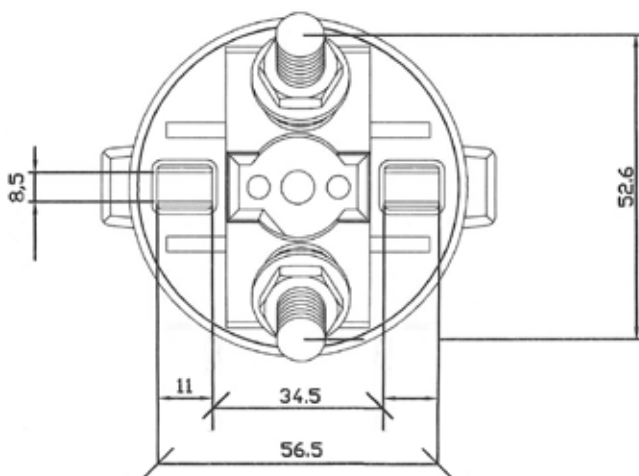
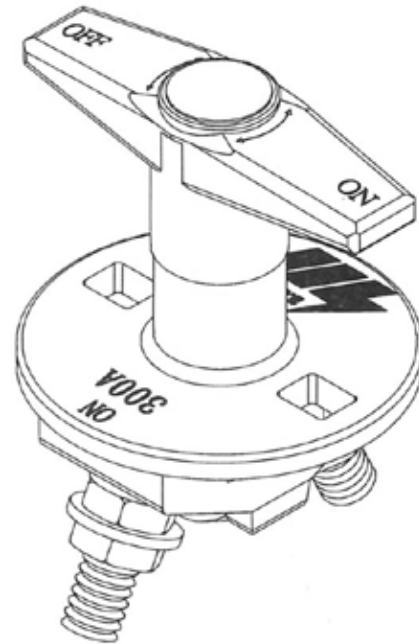
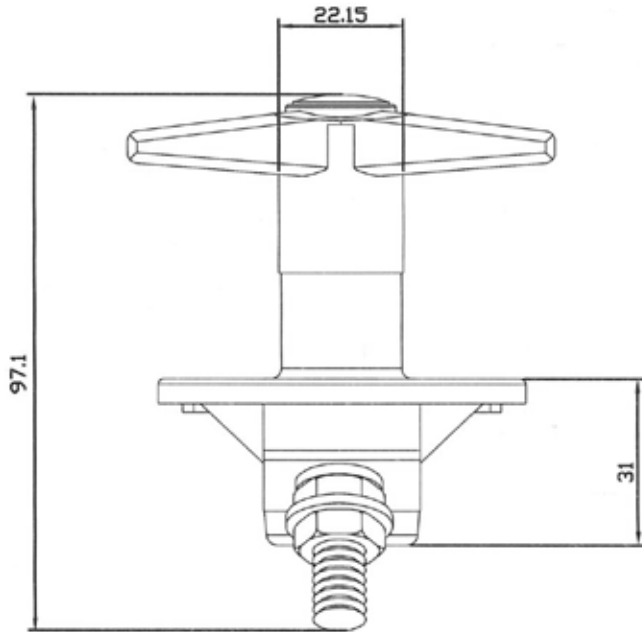


Ordering Information

PART NUMBER	VOLTAGE	AMPERAGE	CIRCUITRY	MOUNTING	INGRESS	TERMINAL NUTS	NOTES
08010100	12-24V DC	300A	SPST	Through-Hole	IP65	M10 brass	Fixed handle

08010100 BATTERY DISCONNECT SWITCHES

Dimensions in millimeters



Visit Littelfuse.com for the most up-to-date product information. Littelfuse reserves the right to make product changes, without notice. Material in this document is as accurate as known at the time of publication.

Mouser Electronics

Authorized Distributor

Click to View Pricing, Inventory, Delivery & Lifecycle Information:

[Littelfuse:](#)

[08010100](#)