

BMZF SERIES BATTERY MOUNT ZCASE® FORGED FUSE HOLDER

80A-600A • 32V DC • 1-3 Position • ZCASE®



Fuses sold separately

Description

The BMZF Series Battery Mount ZCASE Fuse Holder's forged brass design is more rugged and better suited for heavy duty applications than other solutions in the market place. The BMZF's integrated battery clamp allows for high current fusing to be mounted directly to a post style battery terminal without additional mounting hardware. The compact design of the BMZF optimizes system cost by eliminating additional cables, separate high current fuse holders and the required labor to assemble and install traditional fuse holders into crowded spaces.

The BMZF Series accepts Littelfuse proprietary M10 ZCASE fuses that are available in ratings from 80-600A and that have characteristics similar to those of the MEGA fuse. For fuses rated 80-250A, circuits are protected from damage due to prolonged overload current conditions. At ratings from 300-600A, the ZCASE acts as a short circuit protector, allowing high inrush currents but protecting from system faults.

¹The special insulated bolt has a metal bolt head which allows for proper torque application to make a reliable high current connection. Unlike with plastic insulators, the mineral isolating washer prevents long term torque reduction due to creep. The integrated isolation shell prevents current from bypassing the fuse element.

Ordering Information

PART NUMBERS			DESCRIPTION
BULK	BOXED	BLISTER PACK	
FHZ00855	FHZ00855-BX	FHZ00855-BP	Fuse Holder Battery Mount ZCASE 1 Position + M10 Insulated Bolt
FHZ00856	FHZ00856-BX	—	Fuse Holder Battery Mount ZCASE 3 Position + M10 Insulated Bolt
FHZ00857	FHZ00857-BX	—	Fuse Holder Battery Mount ZCASE 2 Position + Post + M10 Insulated Bolt
¹ 890010900	—	—	BMZF Replacement M10 Insulated Bolt Assembly - Required for system to operate

¹The special isolated bolt is required for system operation.

Features and Benefits

- Mounts directly to post style battery terminal
- Consolidates multiple fuse holders and reduces wiring
- Rugged forged brass design stands up to heavy cables and harsh battery box or underhood conditions
- ¹Special insulated bolt for higher quality, longer lasting electrical connection
- 2 position configuration features one unfused battery post to allow extra fused circuits to be added without modifying original battery cable (as modifying the battery cable can void the factory warranty)

Specifications

Max Voltage Rating:	32 V DC (ISO8820)
Max Total Continuous Current:	2 - 3 Position: 325A 1 Position: 250A
Available Fuse Rating:	80A-600A
Fuse Terminal Torque:	M10 Bolt: 16 ± 2 Nm
Mounting Torque:	12 ± 1 Nm
Operating Temp:	-40° to 105° C
Shock Resistance:	ISO 16750-3, 4.2.2
Vibration Resistance:	ISO 16750-3 (2012), 4.1.2.7

Applications

- High current starter circuit protection
- Pre-fuse short circuit protection
- Battery box / engine compartment fusing
- High current accessory circuit protection
- Work Truck Body Modifications to OEM Chassis

Related Products



ZCASE Series MEGA/
Starter Fuses

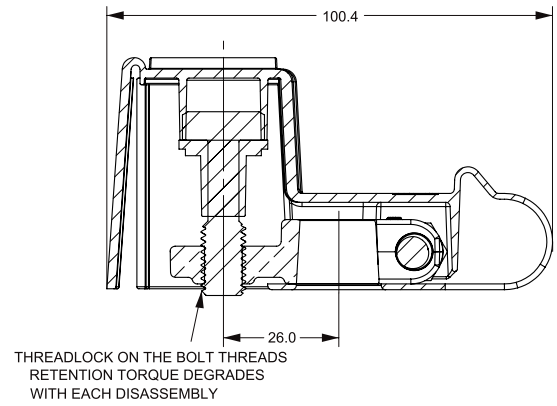
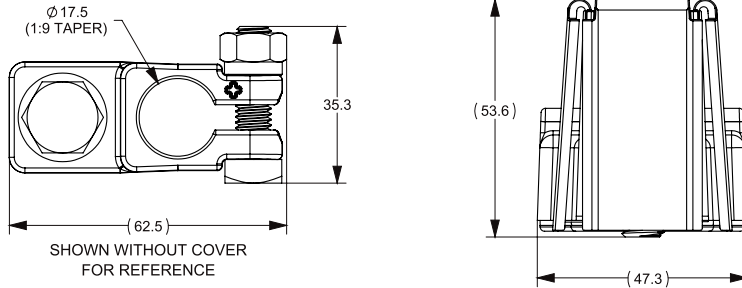
Web Resources

Download 2D print, 3D model and more at:
littelfuse.com/bmzf

BMZF SERIES BATTERY MOUNT ZCASE® FUSE HOLDER

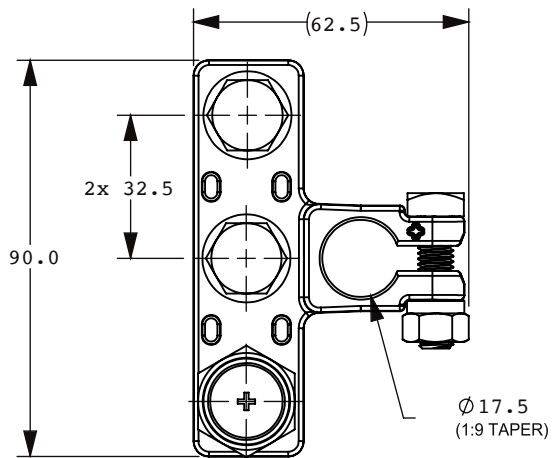
Dimensions in millimeters

1-Position



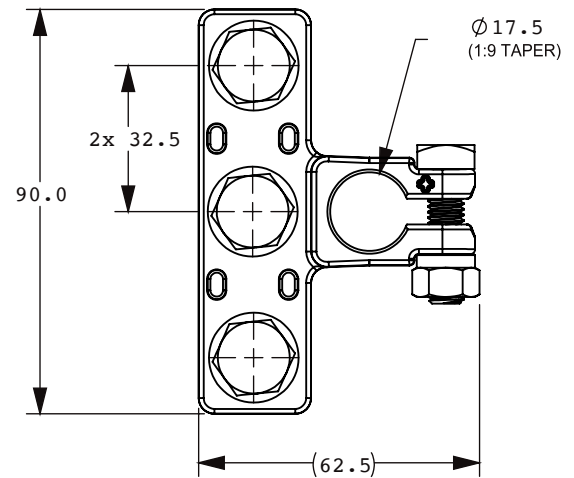
2 & 3 Position

2 Position

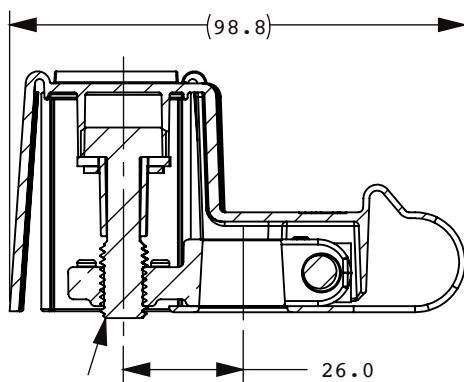


SHOWN WITHOUT COVER FOR REFERENCE

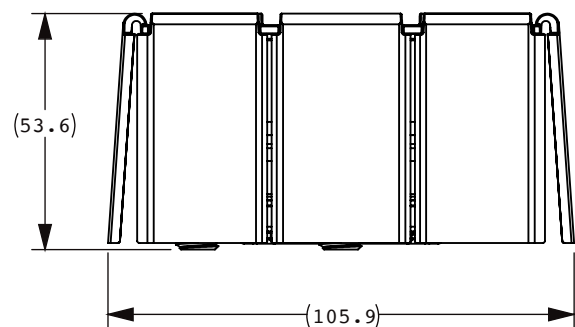
3 Position



SHOWN WITHOUT COVER FOR REFERENCE



THREADLOCK ON THE BOLT THREADS
RETENTION TORQUE DEGRADES
WITH EACH DISASSEMBLY



Visit Littelfuse.com for the most up-to-date product information. Littelfuse reserves the right to make product changes, without notice. Material in this document is as accurate as known at the time of publication.

Mouser Electronics

Authorized Distributor

Click to View Pricing, Inventory, Delivery & Lifecycle Information:

[Littelfuse:](#)

[FHZ00857-BX](#) [FHZ00855-BP](#) [FHZ00855](#) [FHZ00855-BX](#) [FHZ00856](#) [FHZ00856-BX](#) [FHZ00857](#)