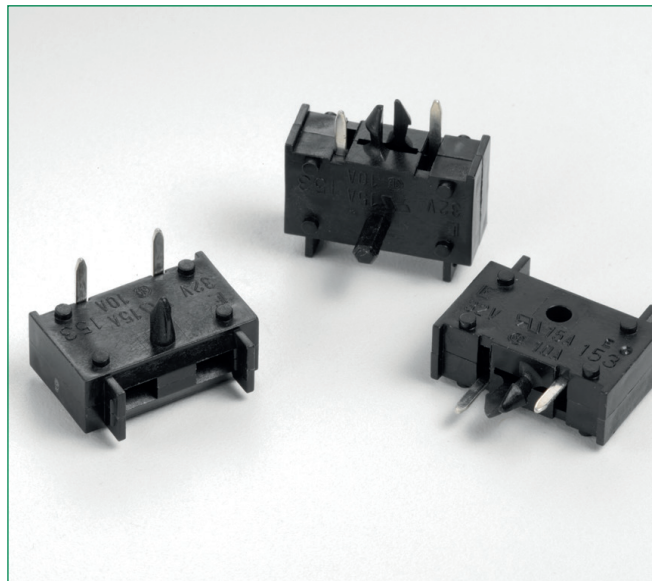


PCB MOUNT FUSE HOLDER FOR MINI® STYLE BLADE FUSE



Description

The MINI® Fuse PCB Fuse Holders bring the reliability and availability of the plug-in 32V MINI® Fuse to the circuit board. Vertical and horizontal mounting of units is offered. The Fuse Holder has “standoffs” to accommodate board washing and incorporates a unique “board lock” anchor to maintain a firm mechanical bond to the PCB.

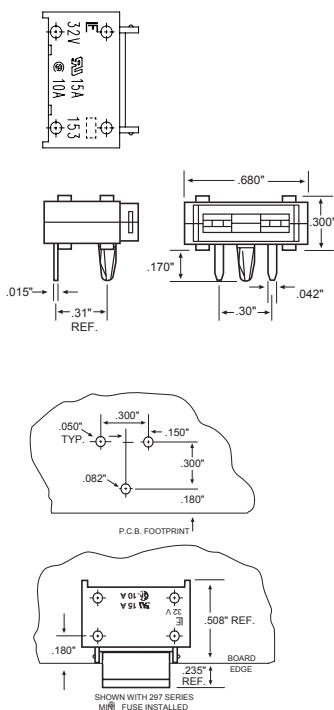
UL 15A CSA 10A (32V)

Part Number	Description	Fuse Rating
01530007_	Horizontal Mount	15 A
01530031_		20 A
01530008_	Single vertical Mount (or End Unit)	15 A
01530032_		20 A
01530009_	Stackable vertical Mount	15 A
01530033_		20 A

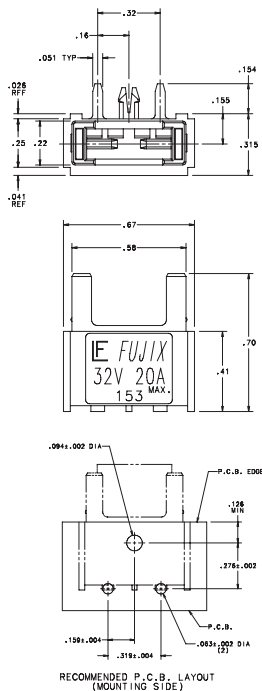
Ordering Information

Part Number	Package Size
015300xLXN	50
015300xZ	500
01530033xZ	5000

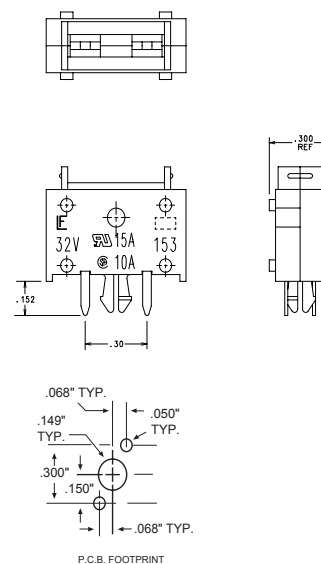
0153007_



0153031_



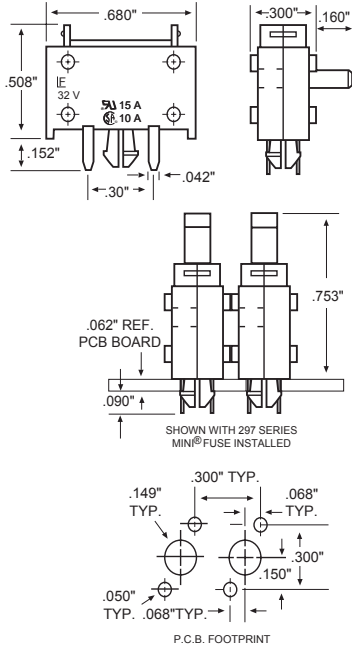
0153008_



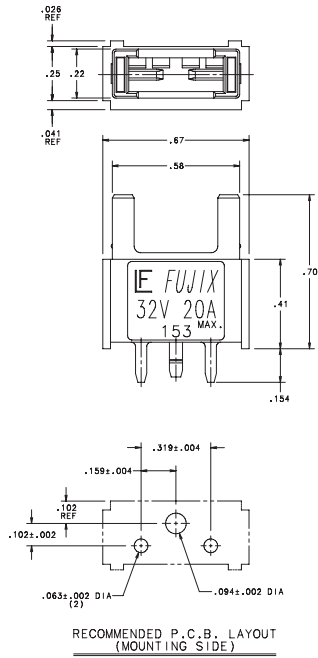
PCB MOUNT FUSE HOLDER FOR MINI® STYLE BLADE FUSE



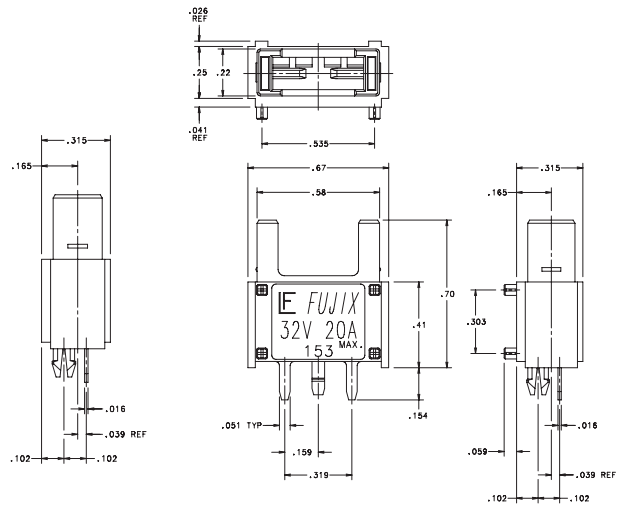
0153009_



0153032_



0153033_



Mouser Electronics

Authorized Distributor

Click to View Pricing, Inventory, Delivery & Lifecycle Information:

[Littelfuse:](#)

[01530008LXN](#)