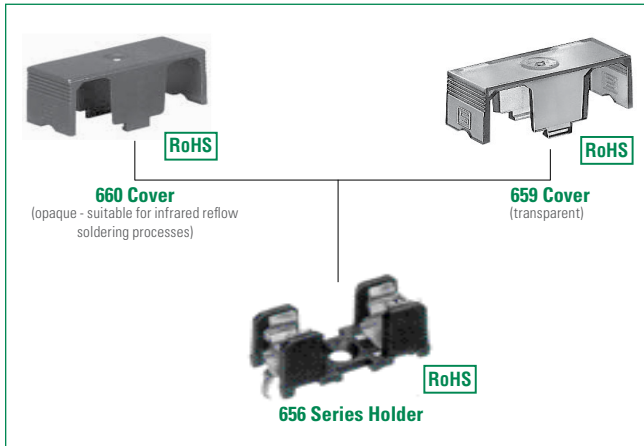


### 656 Series Molded Base PC Mount Fuse Block For 5x20mm Fuses



#### Agency Approval

Agency	Agency File Number
	40001499
	E70164

#### Additional Information



Datasheet

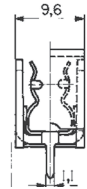
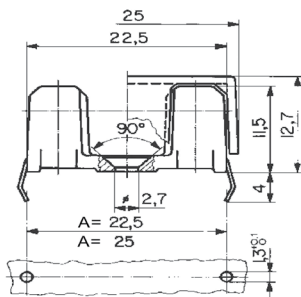


Resources



Samples

#### Dimensions



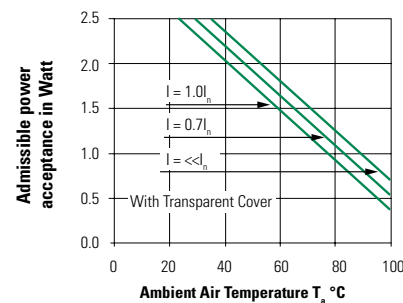
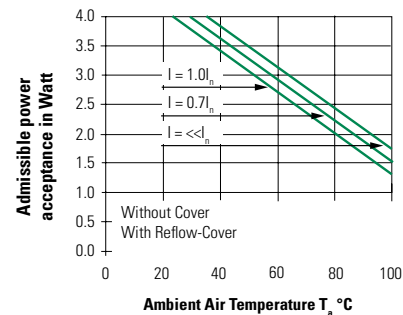
Max. dimension for removal of cover  
Dimensions in Millimeters

#### Product Characteristics

<b>Compatible Fuse Size</b>	<b>5x20mm</b>
<b>Materials</b>	<b>Holder:</b> Black Thermoplastic UL94 V-0 <b>Metal Parts:</b> Tin plated copper alloy
<b>Electrical Data</b>	<b>Rated Voltage:</b> VDE 250 VAC UL 500 VAC/DC <b>Rated Current:</b> 16 A (UL)/10 A (VDE) <b>Rated Power Acceptance</b> (at ambient air temp 23 °C): - 4 W without cover - 4 W with 660 cover - 2.5 W with 659 cover
<b>Mounting</b>	656: Solder pins 0.4mmx1.1mm Ø 2.7mm screw hole may be used optionally
<b>Operating Temperature</b>	-40 °C to +85 °C
<b>Climatic Category</b>	40/085/21 according to IEC 60068-1
<b>Stock Conditions</b>	0 °C to 60 °C, at max. 70% relative humidity
<b>Vibration Resistance</b>	According to IEC 60068-2-6, Test Fc
<b>Contact Resistance</b>	<5 mΩ
<b>Dielectric Strength</b>	> 3 kV, 50 Hz, 1 min.
<b>Impulse withstand Voltage</b>	> 4 kV between live parts
<b>Insulation Resistance</b>	(500 V DC/1 min): >10 MΩ between live parts of different potentials
<b>Solderability</b>	245 °C/3 sec. according to IEC 60068-2-20, Test Ta, method 1
<b>Soldering Heat Resistance</b>	260 °C/10 sec. according to IEC 60068-2-20, test Tb method 1
<b>Minimum Cross Section</b>	Conducting path - 0.2 mm <sup>2</sup>
<b>Torque/fixing screw</b>	Max. 0.3 Nm

Note: If used with covers, refer to [Fuseology](#) for information on proper fuse block re-rating.

#### Re-rating Curves

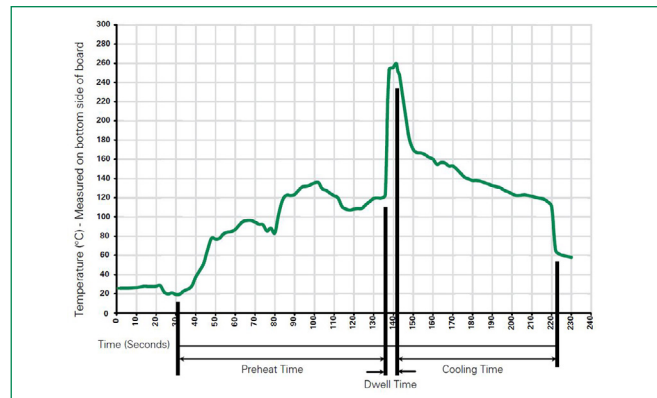


### Soldering Parameters—Wave Soldering

Wave Parameter	Lead-Free Recommendation
<b>Preheat:</b> (Depends on Flex Activation Temperature)	(Typical Industry Recommendation)
Temperature Minimum	100 °C
Temperature Maximum	150 °C
Preheat Time	60–180 seconds
<b>Solder Pot Temperature</b>	260 °C Maximum
<b>Solder Dwell Time</b>	2–5 seconds

**Recommended Hand-Solder Parameters:**

Solder Iron Temperature: 350 °C +/- 5 °C  
 Heating Time: 5 seconds max.



### Ordering Information

Part Number	Description	Packaging
<b>65600001009</b>	Fuse Block - "A" dimension 22.5mm	Bulk Pack (100 Pcs)
<b>65600001409</b>	Fuse Block - "A" dimension 25mm	Bulk Pack (100 Pcs)
<b>65900000009</b>	Fuse Holder Cover - Transparent plastic	Bulk Pack (100 Pcs)
<b>66000001009</b>	Fuse Holder Cover - Opaque plastic, suitable for infrared (IR) reflow soldering process	Bulk Pack (100 Pcs)

# Mouser Electronics

Authorized Distributor

Click to View Pricing, Inventory, Delivery & Lifecycle Information:

Littelfuse:

[65600001009](#) [65600001409](#) [65600001029](#)