

LRG-Series

Illuminated Double Pole Rocker & Paddle Switches

PRODUCT WEBPAGE

request sample, configure part



The double pole lighted version of the R-Series incorporates the same sleek lines as the original Corvette, in a double pole envelope. This illuminated version features silver-plated butt-action contacts with ratings to 20A/125, 15A 250VAC and withstand peak inrush currents up to 100 amps. Clear or translucent style rocker actuators and a choice of solder lug, .250 Tab and wire lead terminations enable this switch to adapt to high current applications.

| | | | |
|----------|--------------|----------------|-------------|
| 2 | 15-20 | 125-250 | 6-24 |
| Poles | Amps | VAC | VDC |

Typical Applications

- Power Supply
- Appliances
- Exercise Equipment
- Music Equipment

Tech Specs

Dielectric Strength

UL/CSA: 1000V - live to dead metal parts & opposite polarity

Electrical Life

100,000 cycles

Operating Temperature

-40°F to 185°F (-40°C to 85°C)

Ordering Scheme

Sample Part Number **LRGSC611 - R S - B - B / 250N**

Selection 1 2 3 4 5 6

1. SERIES

15A 250 VAC, 20A 125 VAC, 3/4 HP 125-250 VAC

| | Solder Lugs | .250 Tabs | Wire Leads |
|--|-------------|-----------|------------|
| Standard Base | | | |
| OFF-NONE-ON | LRGSC610 | LRGSC611 | LRGSC615 |
| European Base (22 x 30 mm cutout) | | | |
| OFF-NONE-ON (Single Pole) | LRGSE610 | LRGSE611 | LRGSE615 |
| 15A 6-24 V³ | | | |
| Standard Base | | | |
| OFF-NONE-ON | LRGSC510 | LRGSC511 | LRGSC515 |
| European Base (22 x 30 mm cutout) | | | |
| OFF-NONE-ON (Single Pole) | LRGSE510 | LRGSE511 | LRGSE515 |

2. ACTUATOR STYLE

R Rocker translucent C Rocker Clear

3. ACTUATOR COLOR

| | |
|----------------------------|---------------|
| A Amber | P Yellow |
| B ^{3,5} Blue | R Red (clear) |
| C ⁴ White/Clear | S Red |
| G ⁵ Green | W Pale Red |
| L ³ Lime Green | |

4. BEZEL COLOR

B Black W White

5. ROCKER LEGEND

| | |
|-----------------------------|-----------|
| NO LEGEND | hot stamp |
| OFF-ON vertical | O |
| OFF-ON horizontal | A |
| O-I horizontal | B |
| O-I vertical | D |
| Dual OFF-ON, O-I vertical | E |
| Dual OFF-ON, O-I horizontal | H |
| | J |

6. LAMP VOLTAGE

| | |
|------------------------------|------------------------------|
| 006V 6V incandescent | 024V 24V incandescent |
| 012V 12V incandescent | 125N 125V neon |
| 018V 18V incandescent | 250N 250V neon |

Notes:

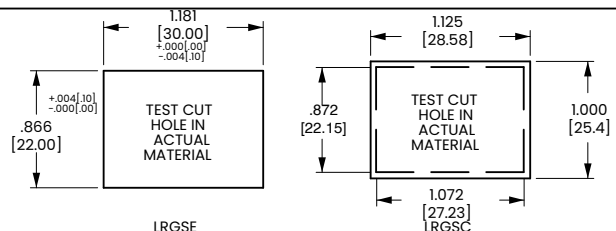
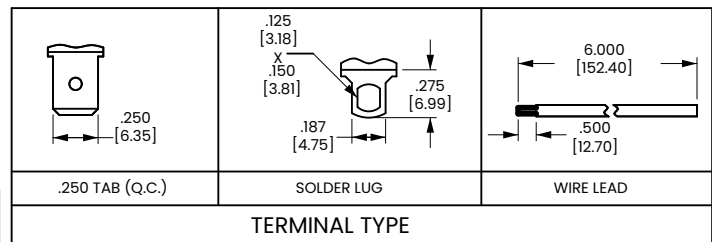
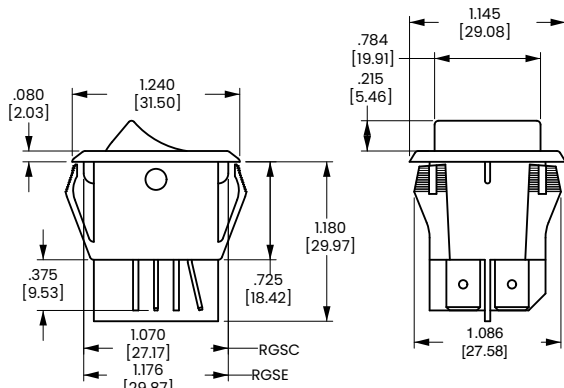
- Additional ratings, colors and clear style actuators are available. Consult factory.
- Incandescent lamps must specify 15A 24V rating only.
- Available with incandescent lamps only.
- Clear color provided where specified with clear style rocker.
- Available with clear style rocker only.

[Configure Complete Part Number >](#)

[Browse Standard Parts >](#)

Dimensional Specs

inches [millimeters]



MOUNTING HOLE
Panel Thickness: .025 min - .187 max.
Specific cutout dimension range dependent on panel thickness and material.

Authorized Sales Representatives and Distributors

Click on a region of the map below to find your local representatives and distributors or visit www.carlingtech.com/findarep.



About Carling

Founded in 1920, Carling Technologies is a leading manufacturer of electrical and electronic switches and assemblies, circuit breakers, electronic controls, power distribution units, and multiplexed power distribution systems. With six ISO9001 and IATF16949 registered manufacturing facilities and technical sales offices worldwide, Carling Technologies Sales, Service and Engineering teams do much more than manufacture electrical components, they engineer powerful solutions! To learn more about Carling please visit www.carlingtech.com/company-profile.

To view all of Carling's environmental, quality, health & safety certifications please visit www.carlingtech.com/environmental-certifications.

© Carling Technologies, Inc.

3. Carling, Curvette are registered trademarks of Carling Technologies, Inc. in the U.S. and other countries.

Mouser Electronics

Authorized Distributor

Click to View Pricing, Inventory, Delivery & Lifecycle Information:

Carling Technologies:

[LRGSCK611-C-G-B-0/125N](#) [LRGSCK611-RS-B-0/125N](#) [LRGSCK511-RS-B-0/012V](#) [LRGSCK511-RS-B-A/012V](#)
[LRGSCK511-RS-B-E/012V](#) [LRGSCK511-R-C-B-0/012V](#) [LRGSCK511-R-S-B-A/012V](#) [LRGSCK611-C-A-B-E/250N](#)
[LRGSCK611-C-G-B-0/250N](#) [LRGSCK611-R-S-B-0/250N](#) [LRGSCK611-RS-B-A/125N](#) [LRGSCK611-RS-B-E/125N](#)
[LRGSEK611CABE-250N](#) [LRGSCK611-C-G-B-A/125N](#) [LRGSCK611-R-L-B-A/125N](#) [LRGSCK611-RS-B-E/250N](#)
[LRGSCK611-RS-B-B/250N](#) [LRGSCK611-C-A-B-0/250N](#) [LRGSCK611-C-A-B-0/125N](#) [LRGSCK611-C-G-B-E/125N](#)
[LRGSCK611-C-R-B-0/125N](#) [LRGSCK611-R-S-B-0/125N-XG](#) [LRGSEK611-C-G-B-E/125N](#) [LRGSEK611-C-G-B-E/250N](#)
[LRGSEK611-R-C-B-E/250N](#) [LRGSEK511-R-C-B-0/012V](#) [LRGSCK611-R-A-B-E/250N](#) [LRGSCK511-R-S-B-F/012V](#)
[LRGSEK610-R-S-B-E/250N](#) [LRGSCK510-C-R-B-0/024V](#) [LRGSEK511-C-G-B-0/018V](#) [LRGSCK611-C-A-B-E/125N](#)
[LRGSCK611-R-S-B-A/250N-XJ](#) [LRGSCK611-R-C-B-0/125N](#) [LRGSCK511-R-L-B-0/012V](#) [LRGSCK615-R-S-B-E/250N-](#)
[XRX1](#) [LRGSEK611-C-R-B-0/125N](#) [LRGSCK615-R-C-B-0/125N](#) [LRGSCK511-R-S-W-0/012V](#) [LRGSEK611-R-A-B-](#)
[E/250N](#) [LRGSCK515-R-S-B-0/012V](#) [LRGSEK611-R-S-B-E/250N](#) [LRGSCK610-R-A-B-0/250N](#) [LRGSCK610-C-A-B-](#)
[A/125N](#) [LRGSCK511-C-B-B-E/012V](#) [LRGSCK615-R-S-B-F/250N](#) [LRGSCK611-C-A-B-O/250N-XPB1](#) [LRGSCK611-C-](#)
[G-B-E/250N](#) [LRGSCK511-R-L-B-0/048V-XNE1](#) [LRGSCK515-C-B-B-E/018V](#) [LRGSCK511-C-A-B-0/012V](#)
[LRGSCK611-C-R-B-E/250N](#) [LRGSCK611-C-R-B-B/125N](#) [LRGSEK611-C-R-B-E/125N](#) [LRGSCK611-R-C-B-E/250N](#)
[LRGSEK611-C-G-B-0/125N](#) [LRGSCK611-R-L-B-E/250N](#) [LRGSEK611-C-G-B-0/250N](#) [LRGSEK611-C-G-B-D/125N](#)
[LRGSCK511-C-G-B-0/006V](#) [LRGSCK511-C-R-B-E/012V](#) [LRGSCK511-C-B-B-0/012V](#) [LRGSCK611-C-G-B-H/125N](#)
[LRGSEK611-C-R-B-0-125N-XDV1](#) [LRGSEK611-R-S-B-0/125N](#) [LRGSCK511-C-G-B-0/012V](#) [LRGSCK615-R-S-B-](#)
[E/250N](#) [LRGSCK611-R-A-B-E/125N](#) [LRGSCK611-R-A-B-0/250N](#) [LRGSCK515-C-G-B-0/024V](#) [LRGSCK611-C-R-B-](#)
[A/125N](#) [LRGSCK511-C-G-B-E/012V](#) [LRGSCK611-C-B-B-E/250N](#) [LRGSCK610-R-A-B-A/250N](#) [LRGSCK611-C-G-W-](#)
[A/125N](#) [LRGSCK511-R-A-B-E/024V](#) [LRGSCK511-C-R-B-F/012V](#) [LRGSCK611-C-G-B-A/250N](#) [LRGSCK511-R-S-B-](#)
[0/018V](#) [LRGSCK611-R-L-B-0/250N](#) [LRGSCK611-R-A-B-A/250N](#) [LRGSEK511-C-B-B-0/024V](#) [LRGSEK610-R-S-B-](#)
[A/125N](#) [LRGSCK515-R-C-W-0/024V](#) [LRGSCK615-R-S-B-E/250N-XRO1](#) [LRGSCK511-C-G-B-0/024V](#) [LRGSCK511-C-](#)
[C-B-0/024V](#) [LRGSCK611-R-C-B-E/125N](#) [LRGSCK611-C-G-B-D/125N](#) [LRGSCK610-C-R-B-0/250N](#) [LRGSCK511-R-L-](#)
[B-0/018V](#) [LRGSCK611-R-L-B-D/125N](#) [LRGSCK611-R-C-B-0/250N](#) [LRGSCK511-C-B-W-0/012V](#) [LRGSCK510-R-S-B-](#)
[0/024V](#) [LRGSCK611-R-L-B-E/125N](#) [LRGSEK511-R-L-B-0/018V](#) [LRGSCK511-R-L-B-E/012V](#) [LRGSCK611-R-S-B-](#)
[A/250N](#) [LRGSCK511-R-S-B-0/024V](#)