

# ANT-MAG-Bxx-xxx

## Data Sheet

### Product Description

These magnetic bases are available in 50, 66, or 85mm diameters, and contain powerful magnets suitable for semi-permanent installation on metal surfaces. The base is covered with a thin protective layer to preserve finished surfaces, such as those on automobiles, and is fully weatherized to withstand long-term outdoor exposure. The base is fed by RG-174 or RG-58 coax featuring a molded strain relief at the point of entry. The threaded mounting post accepts a wide range of ELE Series elements (not included) in a variety of styles and frequency ranges.

### Features

- Powerful magnet for reliable attachment
- Rubber skin protects attachment surface
- Overmolded cable with strain relief
- Rugged weatherized metal construction
- Attractive and durable black finish
- SMA, RP-SMA, TNC or custom connector

### Electrical Specifications

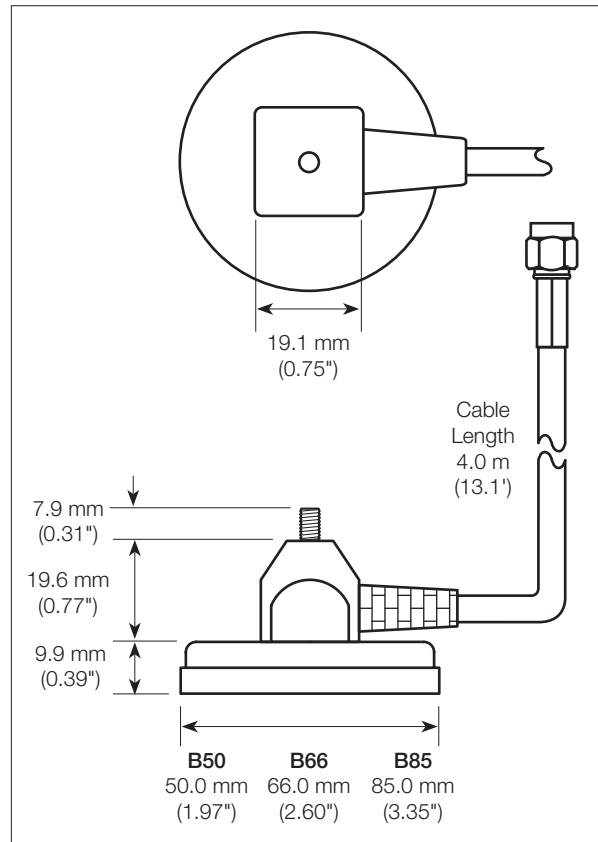
Cable: SMA: RG-174  
RP-SMA: RG-174  
TNC: RG-58

Impedance: 50-ohms

Oper. Temp. Range: -40°C to +80°C

### Ordering Information

ANT-MAG-B50-SMA (with SMA connector)  
ANT-MAG-B50-RPS (with RP-SMA connector)  
ANT-MAG-B50-TNC (with TNC connector)  
ANT-MAG-B66-SMA (with SMA connector)  
ANT-MAG-B66-RPS (with RP-SMA connector)  
ANT-MAG-B66-TNC (with TNC connector)  
ANT-MAG-B85-SMA (with SMA connector)  
ANT-MAG-B85-RPS (with RP-SMA connector)  
ANT-MAG-B85-TNC (with TNC connector)



# Mouser Electronics

Authorized Distributor

Click to View Pricing, Inventory, Delivery & Lifecycle Information:

## [Linx Technologies:](#)

[ANT-MAG-B50-RPS](#) [ANT-MAG-B50-TNC](#) [ANT-MAG-B66-RPS](#) [ANT-MAG-B66-TNC](#) [ANT-MAG-B85-RPS](#) [ANT-MAG-B85-TNC](#) [ANT-MAG-B50-SMA](#)