



LEOPARD IMAGING INC

LI-IMX490-GW5400-GMSL2-xxxH Data Sheet

Key Features

- Sony Diagonal 10.36mm (Type 1/1.55) 5.36MP CMOS Image Sensor IMX490
- Optical format: 1/1.55"
- Resolution: 2880H x 1860V
- Pixel size: 3.0 um x 3.0 um
- YUV output without compression
- Includes GEO Semi GW5400 ISP
- Support HDR
- Lens: FOV H 65°
- GMSL2 Serializer
- Connector: FAKRA Z TYPE
- Water proof: IP67
- Operation Temp: -40 ~ 85 °C
- Storage Temp: -40 ~ 105 °C
- Size: 30 x 30 x 37.8 mm
- Weight: 55 ~ 80g (based on lens)
- Part#:

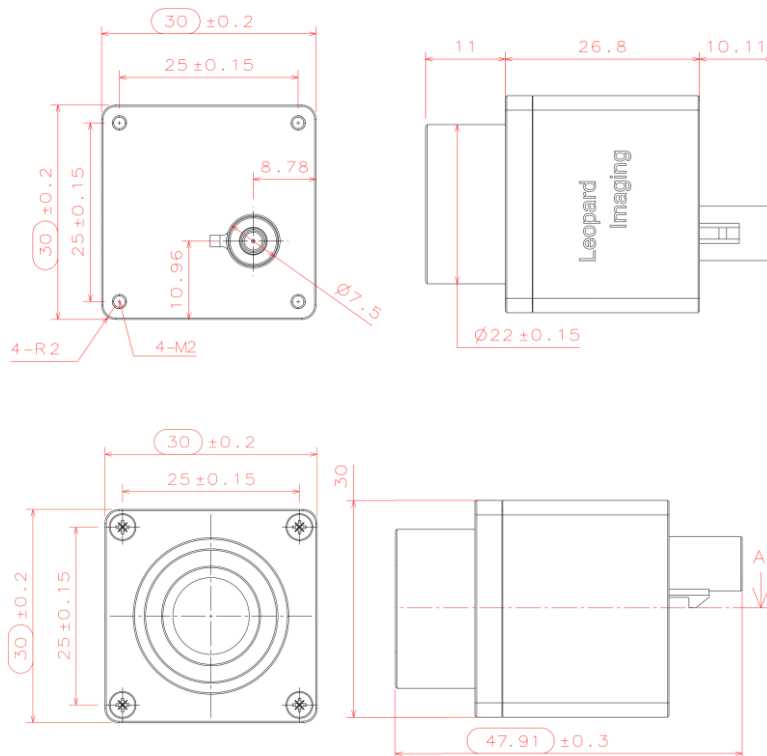
LI-IMX490-GW5400-GMSL2-xxxH



Application

- Automotive ADAS
- 5MP video applications
- ADAS + Viewing Fusion

Dimensions



USA Office
 48820 Kato Rd, Suite 100B, Fremont, CA 95035, USA
 Phone: +1-408-263-0988
 Fax: +1-408-217-1960
 Email: sales@leopardimaging.com
 Website: www.leopardimaging.com

Shanghai Office (China)

上海市闵行区宜山路 1618 号新意城 A 座 9 楼 A910, 201103
 Phone: + 86-139-1857-8492
 王斌(Robin Wang)
 Email: robinw@leopardimaging.com

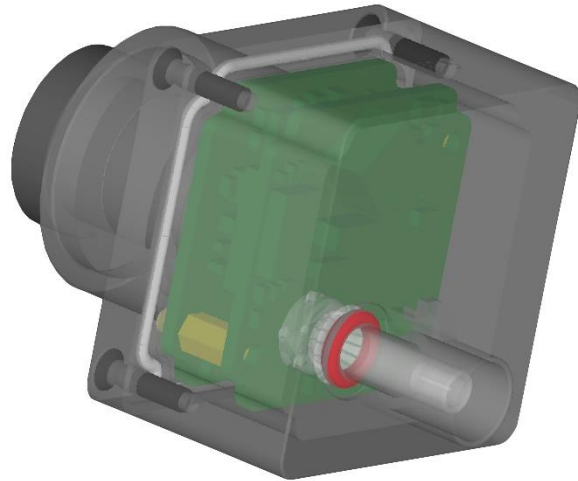


Water Proof

- Metal Housing
- Water-proof lens
- Sealed Gasket (White)
- Sealed O-ring (Red)

Note: The lens must be glued for water-proof.

Note: The lens must be glued for water proof.



Cable Connector

- Housing Connector- FAKRA Z Type
- Cable length: 3 meters
Support single Coax Cable transmit up to 12 meters
- Cable Part#: FAK-SMZSMZ-3M
- FAKRA type connectors



USA Office
48820 Kato Rd, Suite 100B, Fremont, CA 95035, USA
Phone: +1-408-263-0988
Fax: +1-408-217-1960
Email: sales@leopardimaging.com
Website: www.leopardimaging.com

Shanghai Office (China)

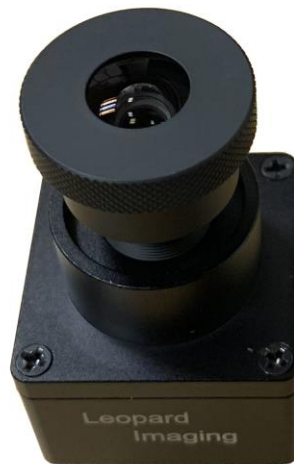
上海市闵行区宜山路 1618 号新意城 A 座 9 楼 A910, 201103
Phone: + 86-139-1857-8492
王斌(Robin Wang)
Email: robinw@leopardimaging.com

Ordering Information

Note:

xxxH - 065H: FOV H 65°

LI-IMX490-GW5400-GMSL2-065H



Lens EFL: 7.9 mm
F/#: 2.0
FOV(D): 74°
FOV(H): 65°
FOV(V): 37°
Mount: M12
Water proof: IP67



USA Office
48820 Kato Rd, Suite 100B, Fremont, CA 94538, USA
Phone: +1-408-263-0988
Fax: +1-408-217-1960
Email: sales@leopardimaging.com
Website: www.leopardimaging.com

Shanghai Office (China)

上海市闵行区宜山路 1618 号新意城 A 座 9 楼 A910, 201103
Phone: + 86-139-1857-8492
王斌(Robin Wang)
Email: robinw@leopardimaging.com

LI-USB30-DESER-GMSL2-FP



LI-IMX490-GW5400-GMSL2 can connect to LI-USB30-DESER-GMSL2-FP as a USB 3.0 camera. Part#: [LI-USB30-IMX490-GW5400-GMSL2-xxxH](#)

Key Features

- USB 3.0 Super Speed support
- YUV output without compression
- Support HDR
- UVC compliance
- Provide customization services
- 12VDC Power Supply (Comes with camera)
- Weight: 178 g
- Single Coax Cable transmit up to 12 meter PoC(Power over Cable)
- Support 2880x1860@25fps
- Power consumption: < 230mA at 12VDC
- Support Windows, Linux OS and other OS which include UVC drivers



SDK Supported

- Camera Tool Source Code in C#
- Capture & Display
- ISP Rom Update



USA Office
48820 Kato Rd, Suite 100B, Fremont, CA 95035, USA
Phone: +1-408-263-0988
Fax: +1-408-217-1960
Email: sales@leopardimaging.com
Website: www.leopardimaging.com

Shanghai Office (China)

上海市闵行区宜山路 1618 号新意城 A 座 9 楼 A910, 201103
Phone: + 86-139-1857-8492
王斌(Robin Wang)
Email: robinw@leopardimaging.com

Revision History

Revision	Description	Release Date
1.0	First Release	29. Aug. 2019
1.1	Add 030H lens and remove other lenses	27. Nov. 2019
1.2	Add 120H lens	13. Mar. 2020
1.3	1. Upgrade GW5200 to GW5400 2. Remove 030H and 120H lens 3. Add 065H lens	24. Dec. 2020
1.4	Change the USB 3.0 Tester to FP version	29. Jan. 2021



USA Office
48820 Kato Rd, Suite 100B, Fremont, CA 95035, USA
Phone: +1-408-263-0988
Fax: +1-408-217-1960
Email: sales@leopardimaging.com
Website: www.leopardimaging.com

Shanghai Office (China)

上海市闵行区宜山路 1618 号新意城 A 座 9 楼 A910, 201103
Phone: + 86-139-1857-8492
王斌(Robin Wang)
Email: robinw@leopardimaging.com

Mouser Electronics

Authorized Distributor

Click to View Pricing, Inventory, Delivery & Lifecycle Information:

[Leopard Imaging:](#)

[LI-USB30-IMX490-GW5400-GMSL2-065H](#)