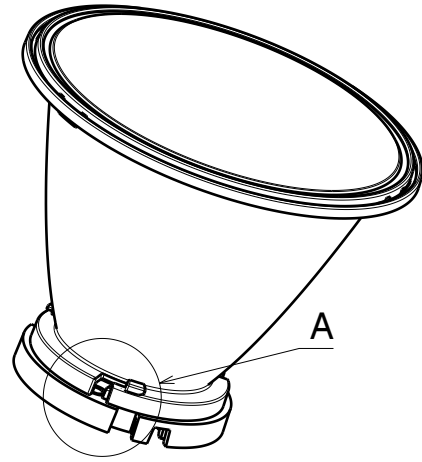
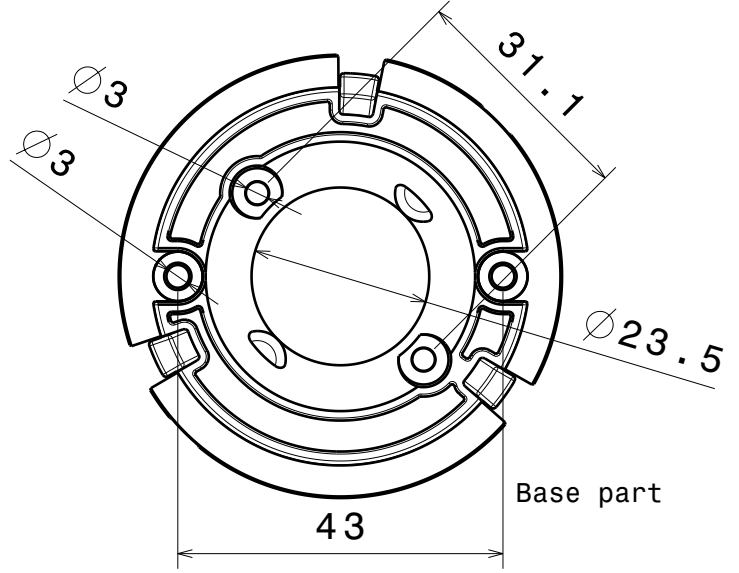


D C B A

4

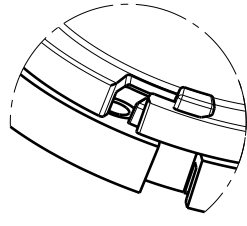


Isometric view



Base part

3

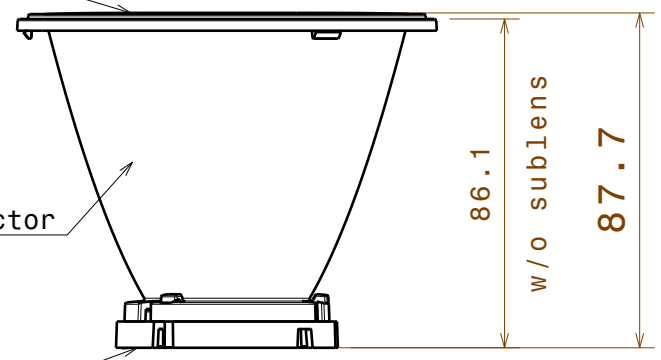


Detail A  
Scale: 1:1

Lena sublens

Lena\_reflector

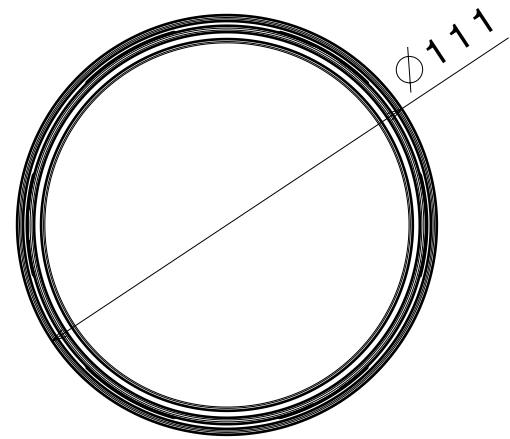
Lena-STD-base CL340



2

Material:

- subLens
  - PMMA
- Reflector
  - PC
  - Metal coating and clear lacquer
- Holder base
  - PC
  - Color white



4

3

2

This drawing is our property. It can't be reproduced or communicated without our written agreement.



DRAWING TITLE

Datasheet Lena-CL340 series Assy

1

DRAWN BY p	DATE 26.05.2011	DRAWING TITLE Datasheet Lena-CL340 series Assy			
CHECKED BY p	DATE 26.05.2011	SIZE A4	DRAWING NUMBER		REV 1
DESIGNED BY pl	DATE 11.02.2011	SCALE 1:2	WEIGHT (g)	SHEET 1/1	

D

A

# Mouser Electronics

Authorized Distributor

Click to View Pricing, Inventory, Delivery & Lifecycle Information:

Ledil:

[CN12367\\_LENA-FRESNEL](#)