



## DC POWER CONNECTORS: KPJX Series

### Snap and Lock PCB Mount Receptacle

#### Product Features

Laptop Computers, Power Supplies and Other Portable Digital Equipment Applications

Snap & Lock Feature Helps to Prevent Accidental Disconnects

3 or 4 Pins Transmit Power, or One Pin Can Be Used For Signal Transmission

For Signal and DC Power Applications

CSA/NRTL Certified File No. LR78160

UL File No. E140125

#### Performance Specifications

##### Materials and Finish

**Shield:** Copper Alloy, Tin Plated

**Body:** PBT, UL 94V-0 Rated

**HT Body:** High Temperature Thermoplastic, UL 94V-0 Rated

#### Electrical Characteristics

##### Contact Rating

**3 Position:** Pin 1 and 2, 48V DC at 7.5A Max.,

Pin 3, 48V DC 1.0A Max.

**4 Position:** 48V DC 7.5A Max. For All Pins.

**Insulation Resistance:** 50 Megohms Min. at 250V DC

**Dielectric Withstanding Voltage:** 500V AC for 1 Minute

**Contact Resistance:** 30 milliohms Max.

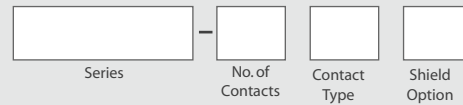
#### Mechanical Characteristics

**Durability:** 1000 Cycles

|                |                 |                  |                           |
|----------------|-----------------|------------------|---------------------------|
| 2D Drawing     | IGES            | STEP             | 3D PDF                    |
| Check Stock    | Solder Profile  | Request a Sample | Send Us An Email          |
| RoHS Compliant | REACH Compliant | UL Plastic       | Certificate of Compliance |

#### Generated Part Number

#### Part Number Builder



#### Series

KPJX - Right Angle Receptacle

KPJXHT - High Temperature, Right Angle Receptacle

#### Number of Contacts

3 Pin

4 Pin

#### Contact Type

S - Socket

#### Shield Option

Blank - Non-Shielded

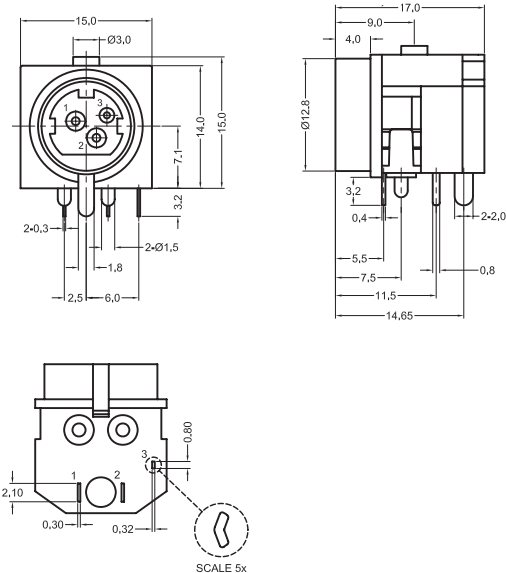
S - Shielded

**Mates with: KPPX Series Plugs**

Contact Kycon for Other Options

#### KPJX-3S Series

Dimensions in mm



# Mouser Electronics

Authorized Distributor

Click to View Pricing, Inventory, Delivery & Lifecycle Information:

[Kycon:](#)

[KPJX-4S-S](#)