

KLD-SMT Series Surface Mount Mini DC Power Jack

Features



- 1.0mm and 1.3mm
- Built in DC On/Off Switch
- Screw Machine Contact Center Pin for High Current Capability
- Laptop and Palmtop Computers, Portable Modems, Radar Detectors, and Other Portable Device Applications
- High Temperature Material For Reflow Compatibility
- Packaged in Tape & Reel for Automated Assembly
- CSA/NRTL Certified File No. LR78160

Performance Specifications

Materials and Finish

Plastic Housing:

LCP High Temperature Thermoplastic, UL94V-0 Rated, Black Color



Center Pin: Copper Alloy, Nickel Plated

Contact #1: Phosphor Bronze, Silver Plated

Contact #2 and #3: Brass, Silver Plated

Electrical Characteristics

Contact Resistance

Before Durability Test

Between Terminals: 30 Milliohms Max.

Plug to Contacts: 50 Milliohms Max.

After Durability Test

Between Terminals: 60 Milliohms Max.

Plug to Contacts: 100 Milliohms Max.

Rated Voltage: 24V DC

Rated Current: 2.5 Amps

Insulation Resistance: 100 Megohms Min.

Dielectric Withstanding Voltage: 500V AC for 1 Minute

DC POWER CONNECTORS

KLD-SMT Series

Mechanical Characteristics

Durability Test: 2500 Cycles

Insertion Force: 0.3kg - 2.0kg

Extraction Force: 0.3kg - 2.0kg

Operating Temperature: -25°C to +85°C

Max Reflow Soldering Temperature

230°C for 30 Seconds

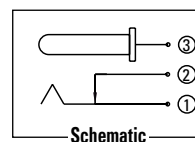
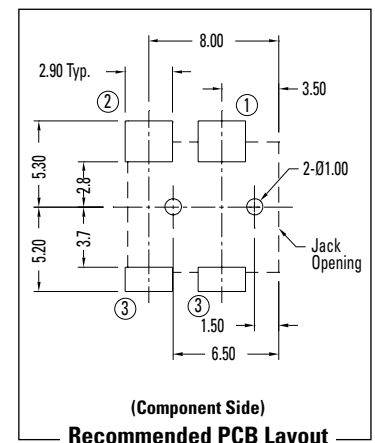
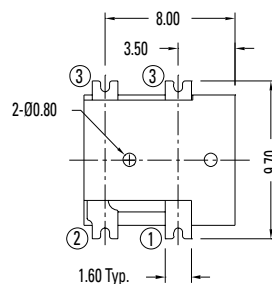
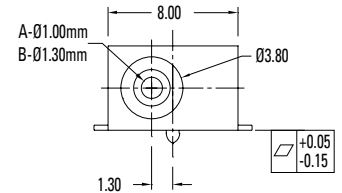
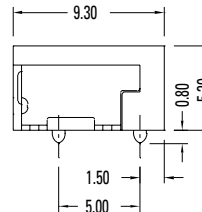
260°C for 10 Seconds

Part Number	Inner Pin Diameter	Packaging
KLD-SMT-0201L-A	1.0mm	Bulk
KLD-SMT-0201L-A-TR	1.0mm	Tape & Reel
KLD-SMT-0201L-B	1.3mm	Bulk
KLD-SMT-0201L-B-TR	1.3mm	Tape & Reel

KLD Series Dimensions

Dimensions in mm

KLD-SMT-0201L



Mouser Electronics

Authorized Distributor

Click to View Pricing, Inventory, Delivery & Lifecycle Information:

[Kycon:](#)

[KLD-SMT-0201L-A-TR](#) [KLD-SMT-0201L-B-TR](#)