

DC POWER CONNECTORS: KLDX-SMT Series

Hybrid DC Power Jack

Product Features

- 2.0mm and 2.5mm
- Built-In DC On/Off Switch
- Laptop and Palm Computer, Portable Modems, Radar Detectors, and Other Portable Device Applications
- High Temperature Material For Reflow Compatibility
- Packaged in Tubes for Automated Assembly
- Optional Center Peg Available
- CSA/NRTL Certified File No. LR78160
- UL File No. E140125

Performance Specifications

Materials and Finish

- Plastic Housing:** High Temperature Thermoplastic, UL 94V-0 Rated, Black Color
- Center Pin:** Copper Alloy, Nickel Plated
- Contact #1: and #3:** Brass, Silver Plated
- Contact #2:** Phosphor Bronze, Silver Plated

Electrical Characteristics

Contact Resistance

Before Durability Test

Between Terminals: 30 milliohms Max.

Plug to Contacts: 50 milliohms Max.

After Durability Test

Between Terminals: 60 milliohms Max.

Plug to Contacts: 100 milliohms Max.

Rated Voltage: 24V DC

Rated Current: 3.5A

Insulation Resistance: 100 Megohms Min. at 500V DC

Dielectric Withstanding Voltage:

500V AC RMS for 1 Minute

Mechanical Characteristics

Durability Test: 5000 Cycles

Insertion Force: 0.3kg - 2.0kg

Extraction Force: 0.3kg - 2.0kg

Operating Temperature: -25°C to +85°C

2D Drawing	IGES	STEP	3D PDF
Solder Profile	CofC RoHS Compliant	CofC REACH Compliant	UL Plastic File
Certificate of Origin	Check Stock	Request a Sample	Send Us An Email

Generated Part Number



Part Number Builder

<input type="text"/>	-	<input type="text"/>	<input type="text"/>	<input type="text"/>
Series		Diameter	Peg Option	Packaging Option

Series

KLDX-SMT-0202 - Hybrid Mount DC Power Jack

Diameter

- A - 2.0mm Center Pin Diameter
- B - 2.5mm Center Pin Diameter

Center Peg Option

- Blank - No Peg
- P - With Peg

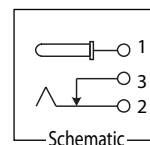
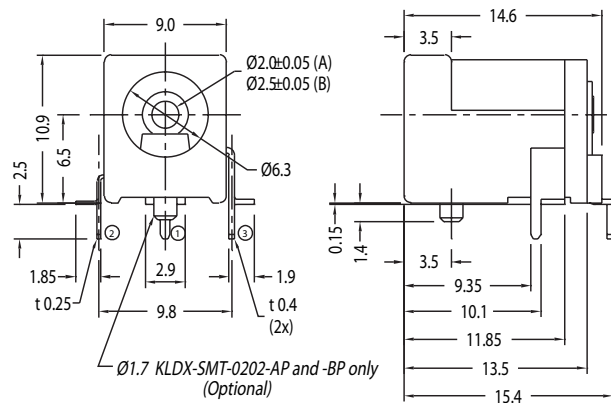
Packaging Option

- Blank - Bulk
- TR - Tape and Reel

Contact Kycon for Other Options

KLDX-SMT Series

Dimensions in mm



Mouser Electronics

Authorized Distributor

Click to View Pricing, Inventory, Delivery & Lifecycle Information:

[Kycon:](#)

[KLDX-SMT-0202-APTR](#) [KLDX-SMT-0202-ATR](#) [KLDX-SMT-0202-BTR](#) [KLDX-SMT-0202-BPTR](#) [KLDX-SMT-0202-B](#)
[KLDX-SMT-0202-A](#) [KLDX-SMT-0202-BP](#) [KLDX-SMT-0202-AP](#)