



## DC POWER CONNECTORS: KLDX Series

### Locking Type PCB Mount DC Power Jack

#### Product Features

- 2.0mm and 2.5mm
- Built-In DC On/Off Switch
- Locking Feature (Will Lock with Kycon Locking Plug)
- To Be Used with Locking/Non-Locking Tuning Fork Style Plug
- Laptop and Palm Computers, Portable Modems, Radar Detectors, and Other Portable Device Applications
- CSA/NRTL Certified File No. LR78160
- UL File No. E140125

#### Performance Specifications

##### Materials and Finish

- Body:** PBT Thermoplastic, UL94V-0 Rated, Color Black
- Center Pin:** Brass, Nickel Plated
- Contact #1:** Brass, Tin Plated
- Contact #2:** Phosphor Bronze, Tin Plated
- Contact #3:** Brass, Tin Plated

#### Electrical Characteristics

- Rated Current:** 3.5A
- Rated Voltage:** 24V DC
- Insulation Resistance:** 50 Megohms Min. at 100 or 200V DC for 1 Minute

#### Mechanical Characteristics

- Durability Test:** 5000 Cycles
- Insertion Force:** 0.3kg - 2.0kg
- Extraction Force:** 0.3kg - 2.0kg
- Operating Temperature:** -25°C to +85°C

2D Drawing	IGES	STEP	3D PDF
Solder Profile	CofC RoHS Compliant	CofC REACH Compliant	UL Plastic File
Certificate of Origin	Check Stock	Request a Sample	Send Us An Email

Generated Part Number

Part Number Builder

-     
 Series Diameter Peg Type

#### Series

KLDX-0202 - PCB Mount DC Power Jack Locking Type

#### Diameter

- A - 2.0mm Center Pin Diameter
- B - 2.5mm Center Pin Diameter

#### Peg

- Blank - without Peg
- P - with Peg

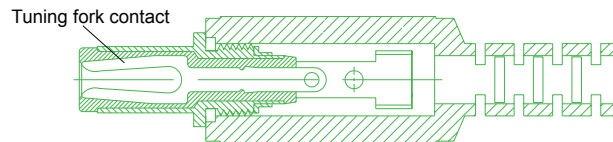
#### Type

- LT - Locking Type

Contact Kycon For Other Options

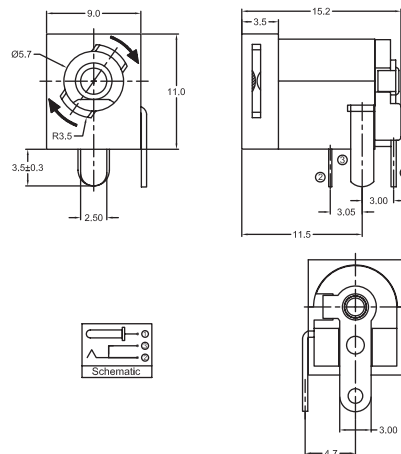
Recommended to be used with Kycon locking plug (tuning fork design):  
**KLDX-PA-0202-A-LT, KLDX-PA-0202-B-LT**

**If used with non-locking plug, tuning fork design is required. See picture.**



#### KLDX-0202 Series

Dimensions in mm  
**KLDX-0202-x-LT**



# Mouser Electronics

Authorized Distributor

Click to View Pricing, Inventory, Delivery & Lifecycle Information:

[Kycon:](#)

[KLDX-0202-A](#) [KLDX-0202-A-LT](#) [KLDX-0202-AP-LT](#) [KLDX-0202-B-LT](#) [KLDX-0202-BP-LT](#) [KLDX-0202-A-2P](#)