



## MINI/CIRCULAR DINs: KCDX Series Circular Din Panel Mount

### Product Features

Audio, Video, Computer and Digital Equipment Applications  
 Designed to Meet European DIN Standards  
 Nickel Shells for Good Conductivity, Grounding and EMI/RFI Shielding  
 Visual and Mechanical Polarization for Plug Insertion  
 CSA/NRTL Certified File No. LR78160  
 UL File No. E140125

### Performance Specifications

#### Materials and Finish

##### Body

PBT Thermoplastic, Black Color, UL 94V-0 Rated

##### Contact

Bronze, Matte Tin Plated

##### Shield

Phosphor Bronze, Nickel Plated

### Electrical Characteristics

#### Rated Current

2A

#### Rated Voltage

24V DC

#### Insulation Resistance

100 Megohm Min. at 500V DC

#### Contact Resistance

#### Pin to Contact Resistance

60 milliohms Max.

#### Plug Shield to Socket Resistance

100 milliohms Max.

#### Dielectric Withstanding Voltage

500V AC for 1 Minute

#### Operating Temperature

-25°C to + 85°C

|                       |                     |                      |                  |
|-----------------------|---------------------|----------------------|------------------|
| 2D Drawing            | IGES                | STEP                 | 3D PDF           |
| Solder Profile        | CofC RoHS Compliant | CofC REACH Compliant | UL Plastic File  |
| Certificate of Origin | Check Stock         | Request a Sample     | Send Us An Email |

### Generated Part Number

#### Part Number Builder

|                      |   |                      |                      |                      |
|----------------------|---|----------------------|----------------------|----------------------|
| <input type="text"/> | - | <input type="text"/> | <input type="text"/> | <input type="text"/> |
| Series               |   | Number of Contacts   | Contact Type         | Option               |

#### Series

**KCDX** - Circular DIN Connectors,  
Right Angle PCB Mount, Receptacle

#### Number of Contacts

5 Contacts

#### Contact Type

**S** - Receptacle

#### Option

**N** - Non-Shielded, 10mm Pitch

**N2** - Non-Shielded, 5mm Pitch

**S** - Shielded, 10mm Pitch

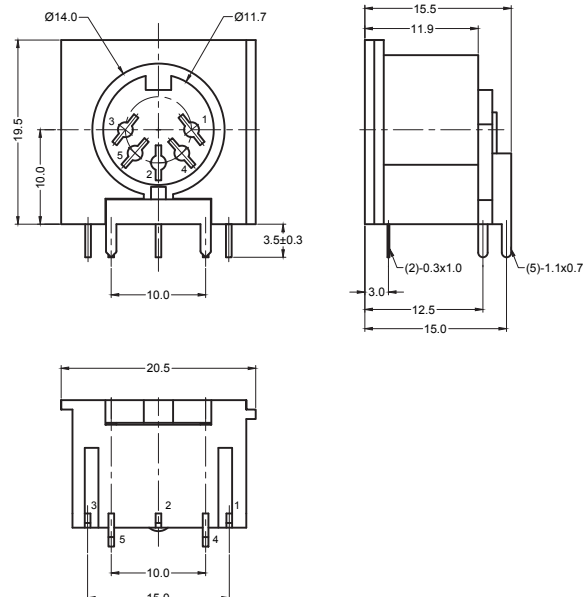
**S2** - Shielded, 5mm Pitch

Contact Kycon for Other Options

### KCDX

Dimensions in mm

#### KCDX-5S-N



# Mouser Electronics

Authorized Distributor

Click to View Pricing, Inventory, Delivery & Lifecycle Information:

[Kycon:](#)

[KCDX-7S-N2](#) [KCDX-7S-S2](#) [KCDX-4S-N2](#) [KCDX-4S-S2](#) [KCDX-7S-S](#) [KCDX-7S-N](#) [KCDX-6S-N](#) [KCDX-6S-S](#)  
[KCDX-8S-N](#) [KCDX-8S-S](#) [KCDX-5S-S](#) [KCDX-5S-N](#) [KCDX-3S-N](#) [KCDX-3S-S](#) [KCDX-6S-N2](#) [KCDX-6S-S2](#) [KCDX-](#)  
[7S-S2-PS](#) [KCDX-8S-S2-PS](#) [KCDX-8S-S2](#) [KCDX-8S-N2](#) [KCDX-3S-S2](#) [KCDX-3S-N2](#) [KCDX-4S-S](#) [KCDX-4S-N](#)  
[KCDX-5S-S2](#) [KCDX-5S-N2](#) [KCDX-5S-S-PS](#) [KCDX-5S-S2-PS](#) [KCDXHT-5S-N](#) [KCDXHT-5S-S2-PS](#) [KCDXHT-5S-N2](#)  
[KCDXHT-5S-S2](#)