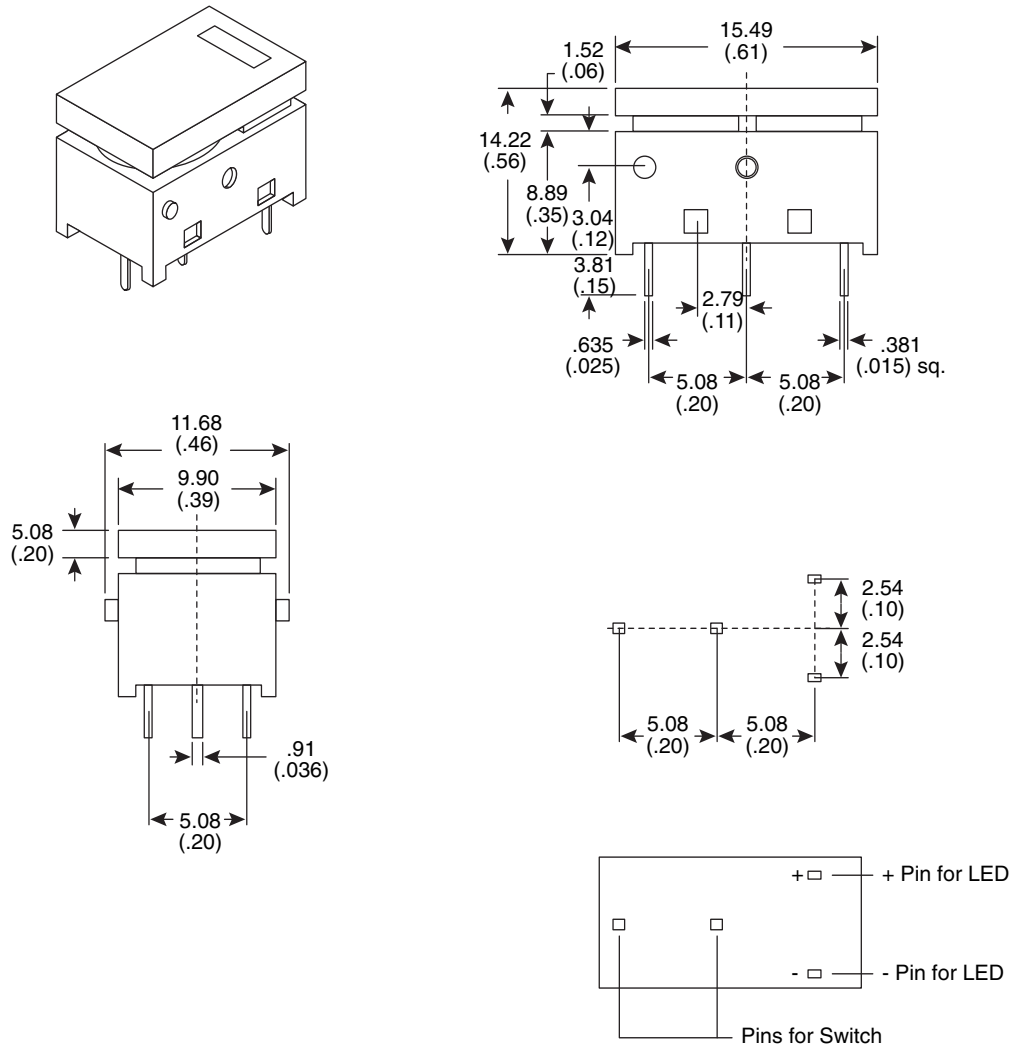


Dimensions: mm (In.)



Mouser Stock No.	Color	
	LED	Button
107-6610	Red	Black
107-6611	Red	Gray
107-6612	Green	Black
107-6613	Green	Gray
107-6614	Yellow	Black
107-6615	Yellow	Gray

Electrical Specifications:

- Rating: 1A/125VAC
- LED reverse voltage: 4V
- LED forward voltage (IF - 20mA): 2.1V
- LED forward current: 25mA

Mechanical Specifications:

- Circuit: 2P SPST off-(on)

Illuminated Pushbutton Switches

107-6610, 107-6611, 107-6612, 107-6613, 107-6614, 107-6615



Mouser Electronics

Authorized Distributor

Click to View Pricing, Inventory, Delivery & Lifecycle Information:

[Mountain Switch:](#)

[107-6615](#) [107-6611](#) [107-6612](#) [107-6610](#)