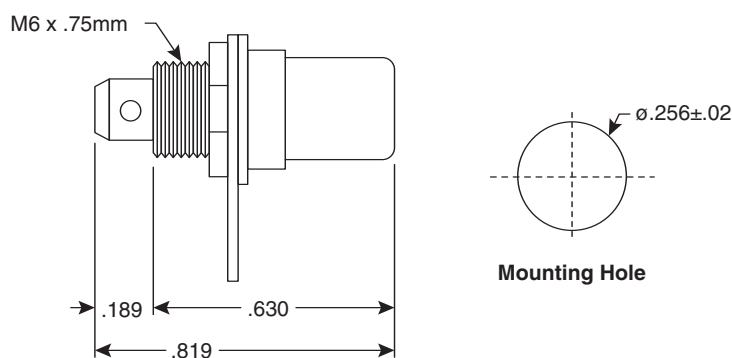
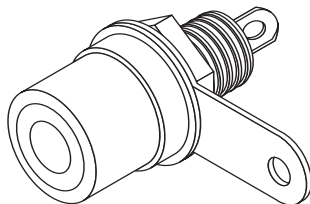


# Panel Mount Phono Jacks

16PJ052, 161-1002, 161-1004, 161-1005



Panel Mount Phono Jacks



**Dimensions: In.**  
(except where noted)

Specifications	
Type:	Panel Mount Phono
Contact Resistance:	10m $\Omega$
Withstand Voltage:	500VAC for 1 Minute
Insulation Resistance:	100M $\Omega$ min. @ 500VDC
Maximum Mounting Torque:	18 in./lbs.
Housing, Nut, Terminal:	Nickel Plated Brass
Washer, Lug Washer:	Nickel Plated Steel
Insulators:	Duracon
Insulator Colors:	16PJ052 - Black, 161-1002 - Red, 161-1004 - White, 161-1005 - Yellow

Date Last Revised: 4-19-05

Available from Mouser Electronics  
1-800-346-6873  
www.mouser.com

KC-300553

16PJ052, 161-1002, 161-1004, 161-1005

# Mouser Electronics

Authorized Distributor

Click to View Pricing, Inventory, Delivery & Lifecycle Information:

[Kobiconn:](#)

[161-1004](#) [161-1005](#) [161-1002](#) [16PJ052](#)