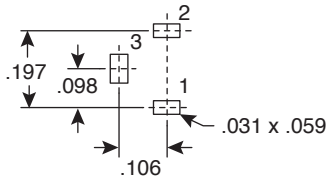
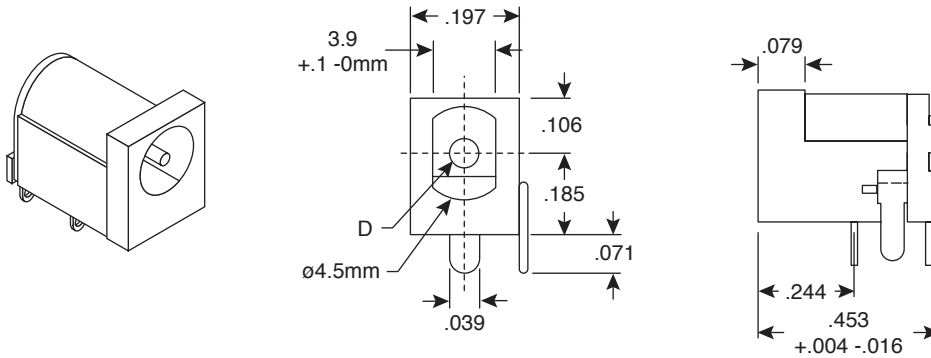


DC Power Jacks

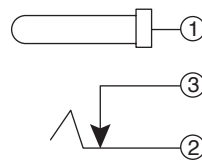
161-100, 161-201



DC Power Jacks



PCB Hole Layout



Circuit Diagram

DIMENSIONS: In.
(except where noted)

SPECIFICATIONS	
Insulation resistance:	50mΩ @ 500VDC
Contact resistance:	30mΩ max. @ 1A
Withstand voltage:	250VAC for 1 minute
Flammability:	230°C for 3 seconds
D:	ø1mm (161-100), ø1.3mm (161-201)
Mating plug O.D.:	3.0mm (161-100), 3.4mm (161-201)

Date Last Revised: 10-14-05

Available from Mouser Electronics
1-800-346-6873
www.mouser.com

KC-300380

161-100, 161-201

Mouser Electronics

Authorized Distributor

Click to View Pricing, Inventory, Delivery & Lifecycle Information:

[Kobiconn:](#)

[161-100](#) [161-201](#)