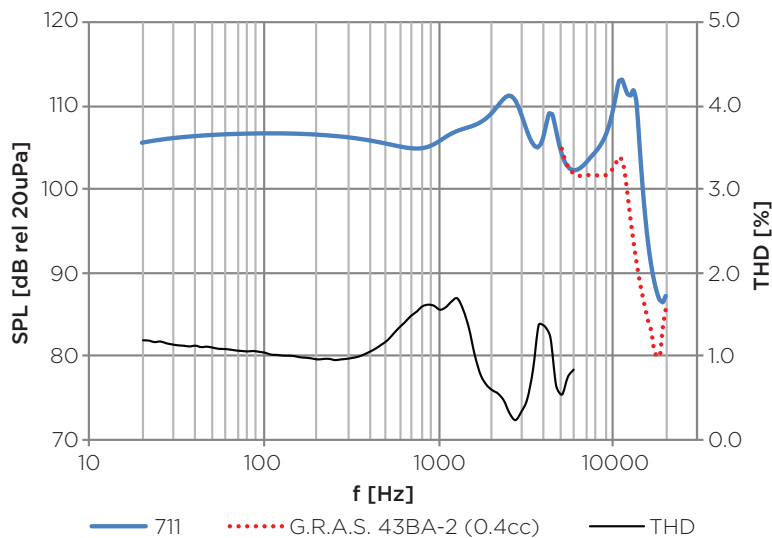


BALANCED ARMATURE DRIVER



FREQUENCY RESPONSE AND THD



PRODUCT FEATURES

- Best-in-class treble
- HD Audio to 40kHz
- Also midrange-tweeter in hybrids
- Small size
- RoHS compliant

TYPICAL PERFORMANCE AT 1KHZ

Impedance	43	Ohms
Sensitivity to 100mV	106	db SPL
Sensitivity to 1mW	112	db SPL
Max SPL ^a	117	dB SPL
THD at 94dB SPL	0.5	%
THD at 100dB SPL	0.6	%

a) SPL at 10% THD

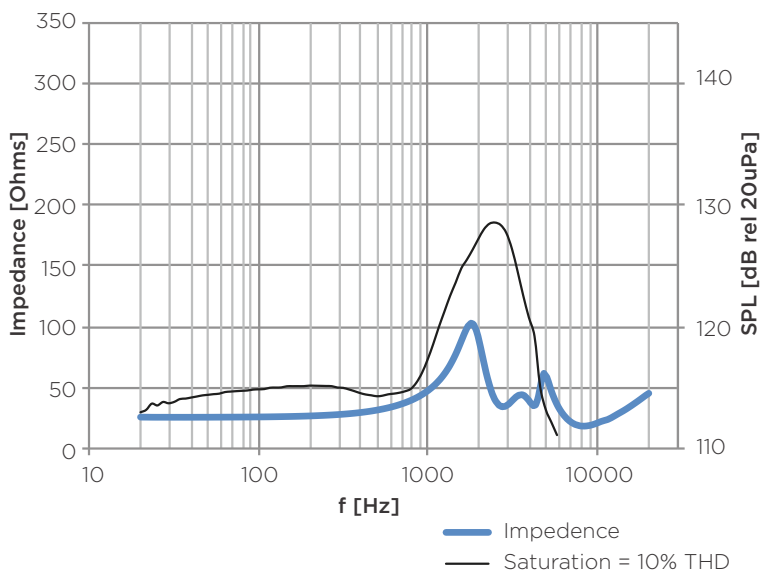
TESTING CONDITION

using 100mV rms drive signal

- IEC60318-4 (711) coupler
- G.R.A.S. 43BA-2 (0.4cc)
- THD

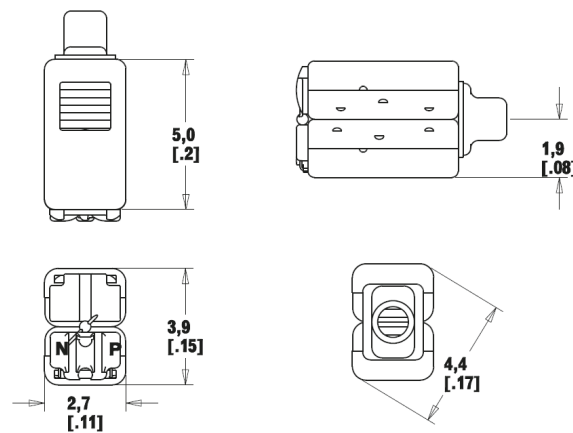


IMPEDANCE AND SATURATION SPL



OUTLINE DRAWING

mm (inches)



NOTES:

Ask about custom assembly options (lead wires, customer specified materials, etc.)

To prevent heat damage, follow soldering guidelines in application note AN13 (knowles.com)

Measurement data for reference only. Refer to model specification for full dimensions and performance.

REFERENCE DESIGN EARPHONE MODEL NUMBER

Straight rubber cable with inline mic - Standard	TC-32282-B100
Straight rubber cable without mic - Special order	TC-32211-B100



Mouser Electronics

Authorized Distributor

Click to View Pricing, Inventory, Delivery & Lifecycle Information:

[Knowles:](#)

[TWFK-30017-000](#)