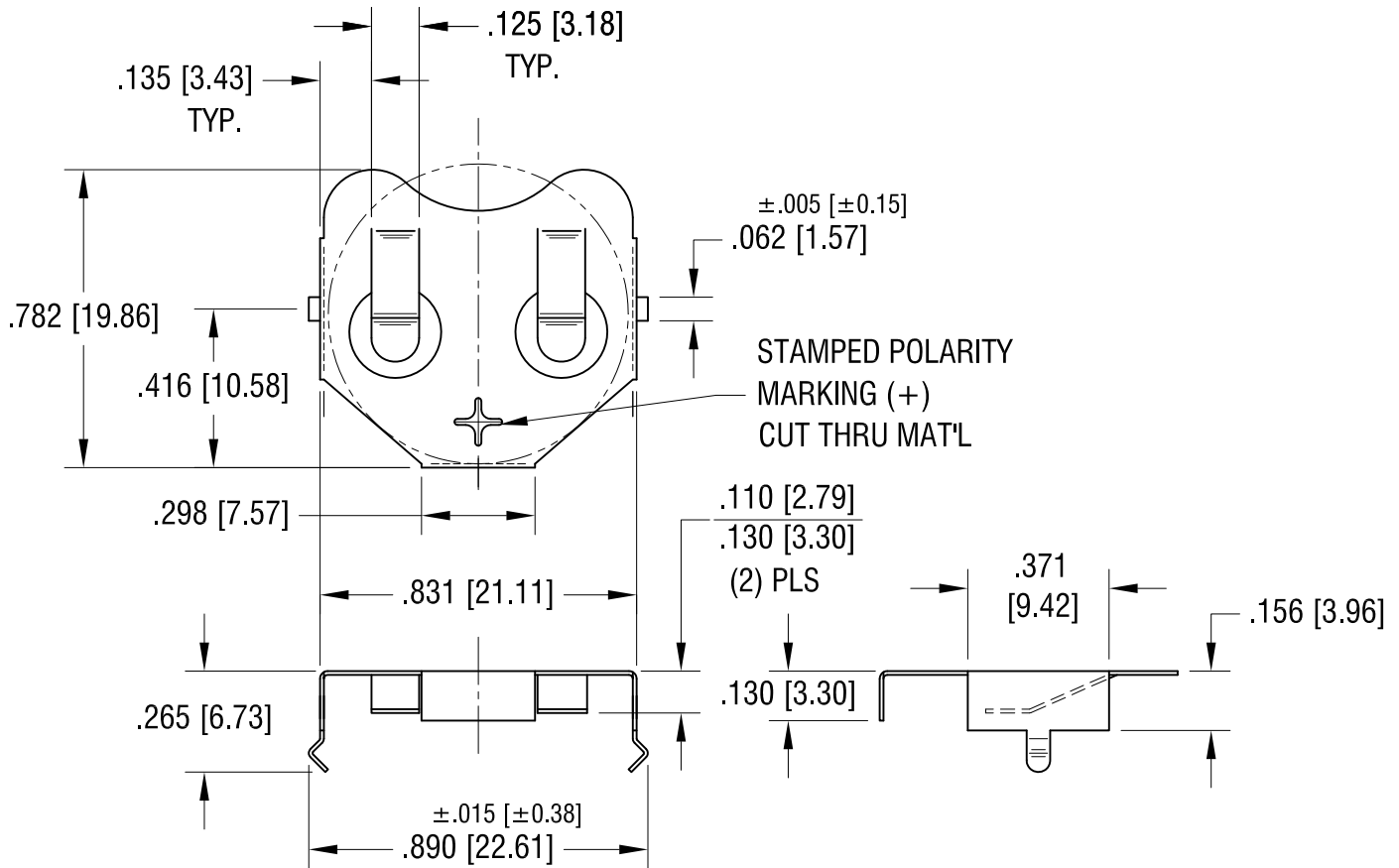
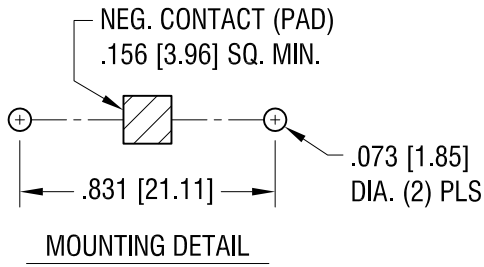
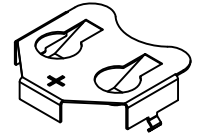


THIS DOCUMENT IS THE PROPERTY OF
KEYSTONE ELECTRONICS CORP. AND
SHALL NOT BE REPRODUCED, DISTRIBUTED
OR USED AS A BASIS FOR MANUFACTURE
WITHOUT PRIOR WRITTEN PERMISSION
FROM KEYSTONE ELECTRONICS CORP.

ACTUAL SIZE



| | | |
|---------|--------------------------|------|
| 5.04.16 | CHANGE AS PER ECN 16-051 | N |
| 1.28.08 | CHANGE AS PER ECN 08-055 | M |
| DATE | DESCRIPTION | REV. |

| | | | |
|---|---------------|--------|-------------|
| KEYSTONE ELECTRONICS CORP. | | | |
| www.keyelco.com • ASTORIA, N.Y. 11105-2017 • Tel (718) 956-8900 | | | |
| PART NAME | | | |
| 20mm PC COIN CELL CLIP | | | |
| MATERIAL | | | |
| .010 [0.25] TH'K PHOSPHOR BRONZE | | | |
| FINISH | | DRN BY | DATE |
| TIN NICKEL PLATE | | BOONE | 10.14.94 |
| | | APP'D | SCALE |
| | | LN | 2X |
| TOLERANCES | INCH [MM] | CODE | DWG NO. |
| DECIMAL | ±.010 [±0.25] | C | 3003 |
| ANGULAR | ± 1° | | |
| UNLESS OTHERWISE SPECIFIED | | | |

Mouser Electronics

Authorized Distributor

Click to View Pricing, Inventory, Delivery & Lifecycle Information:

[Keystone Electronics:](#)

[3003](#)