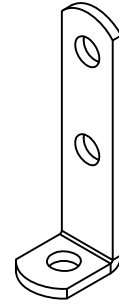
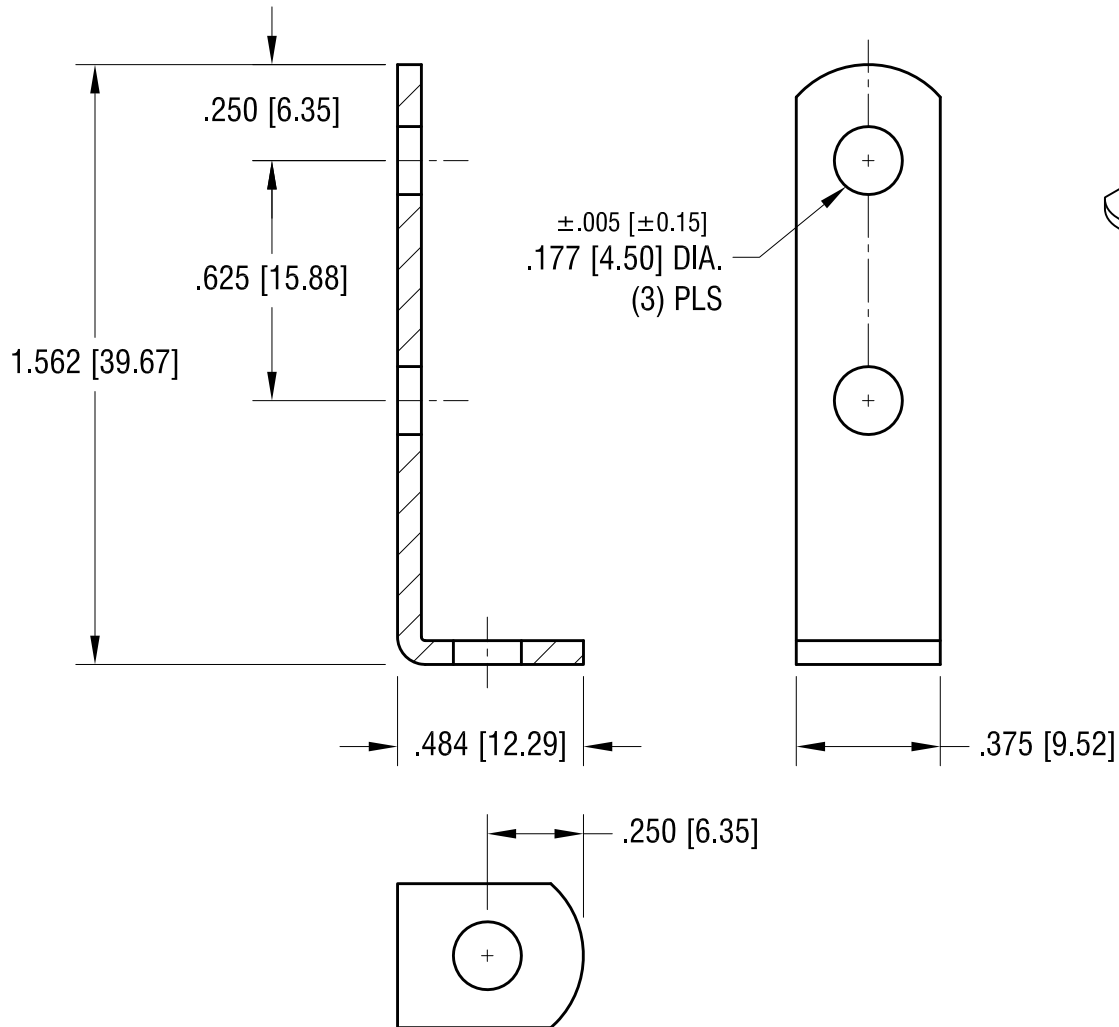


THIS DOCUMENT IS THE PROPERTY OF
KEYSTONE ELECTRONICS CORP. AND
SHALL NOT BE REPRODUCED, DISTRIBUTED
OR USED AS A BASIS FOR MANUFACTURE
WITHOUT PRIOR WRITTEN PERMISSION
FROM KEYSTONE ELECTRONICS CORP.

ACTUAL SIZE



| | | |
|---------|--------------------------|------|
| 2.29.16 | CHANGE AS PER ECR 16-010 | A |
| DATE | DESCRIPTION | REV. |

| | | | |
|---|-----------------|------------------------|-------------|
| KEYSTONE ELECTRONICS CORP. | | | |
| www.keyelco.com • ASTORIA, N.Y. 11105-2017 • Tel (718) 956-8900 | | | |
| PART NAME | | BOARD BRACKET | |
| MATERIAL | | .062 [1.57] TH'K STEEL | |
| FINISH | | DRN BY | DATE |
| NICKEL PLATE | | BOONE | 11.15.06 |
| | | APP'D | SCALE |
| | | LN | 2X |
| TOLERANCES | INCH [MM] | CODE | DWG NO. |
| DECIMAL | ± .015 [± 0.38] | C | 1564 |
| ANGULAR | ± 1° | | |
| UNLESS OTHERWISE SPECIFIED | | | |

Mouser Electronics

Authorized Distributor

Click to View Pricing, Inventory, Delivery & Lifecycle Information:

[Keystone Electronics:](#)

[1564](#)