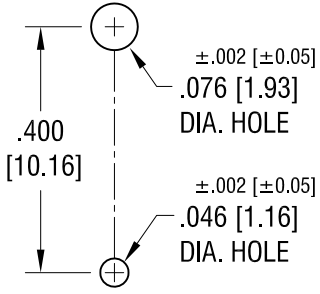
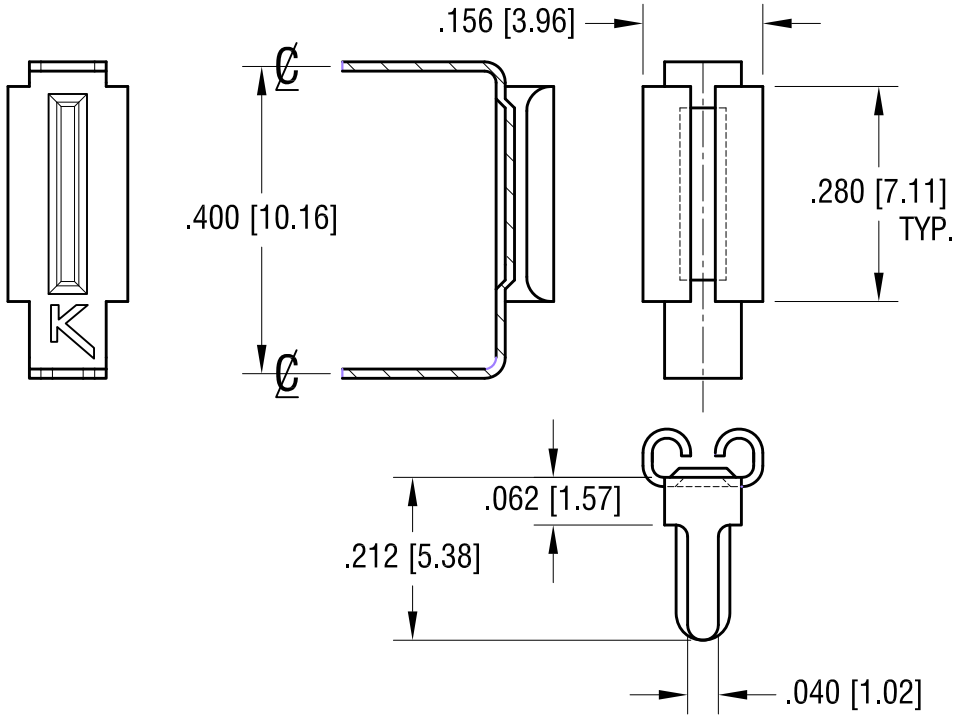
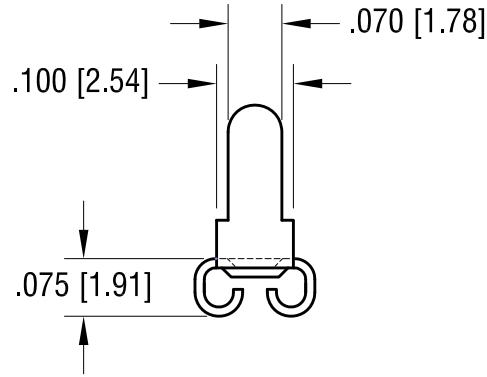


THIS DOCUMENT IS THE PROPERTY OF
KEYSTONE ELECTRONICS CORP. AND
SHALL NOT BE REPRODUCED, DISTRIBUTED
OR USED AS A BASIS FOR MANUFACTURE
WITHOUT PRIOR WRITTEN PERMISSION
FROM KEYSTONE ELECTRONICS CORP.

MOUNTING DETAIL



ACTUAL SIZE



KEYSTONE ELECTRONICS CORP.

www.keyelco.com • ASTORIA, N.Y. 11105-2017 • Tel (718) 956-8900

PART NAME
.110 x .020 HORIZONTAL QUICK CONNECT

MATERIAL
.012 [0.30] TH'K BRASS

FINISH TIN NICKEL PLATE	DRN BY BOONE	DATE 11.10.94
	APP'D LN	SCALE 4X

TOLERANCES DECIMAL ANGULAR $\pm 1^\circ$ UNLESS OTHERWISE SPECIFIED	INCH [MM] $\pm .005$ [± 0.15]	CODE C	DWG NO. 3545
--	--	-----------	------------------------

8.30.12	CHANGE AS PER ECN 12-121	D
6.26.09	CHANGE AS PER ECN 09-09-086	C
10.18.05	CHANGE AS PER ECN 05-074	B
DATE	DESCRIPTION	REV.

Mouser Electronics

Authorized Distributor

Click to View Pricing, Inventory, Delivery & Lifecycle Information:

[Keystone Electronics:](#)

[3545](#)