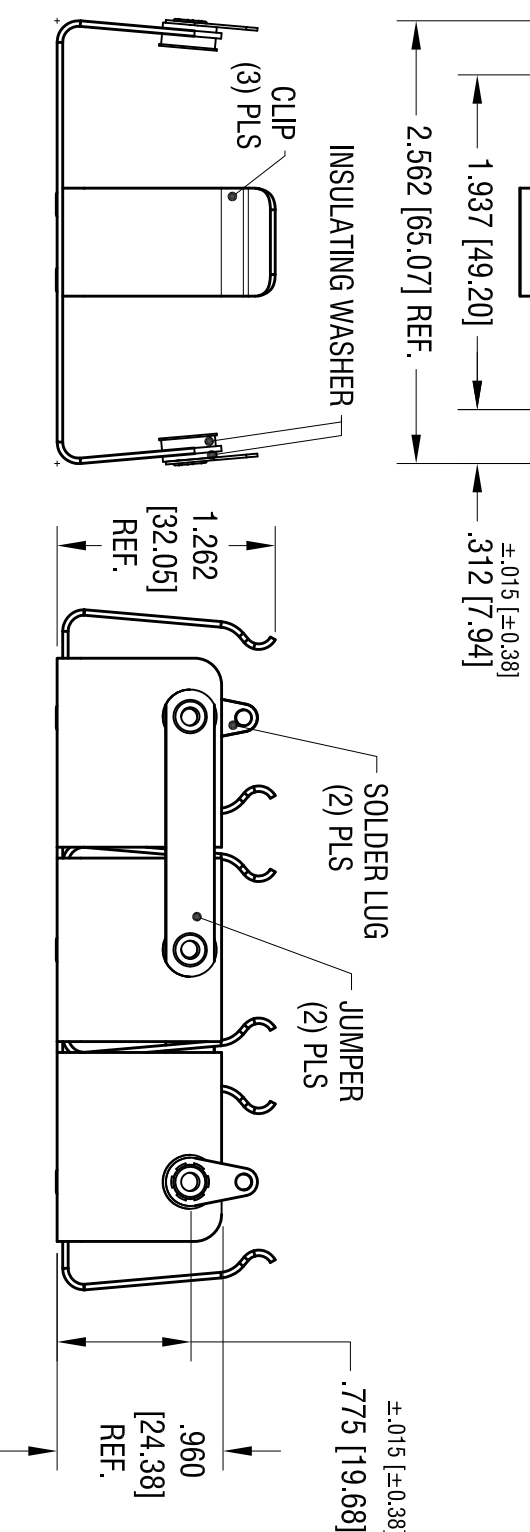
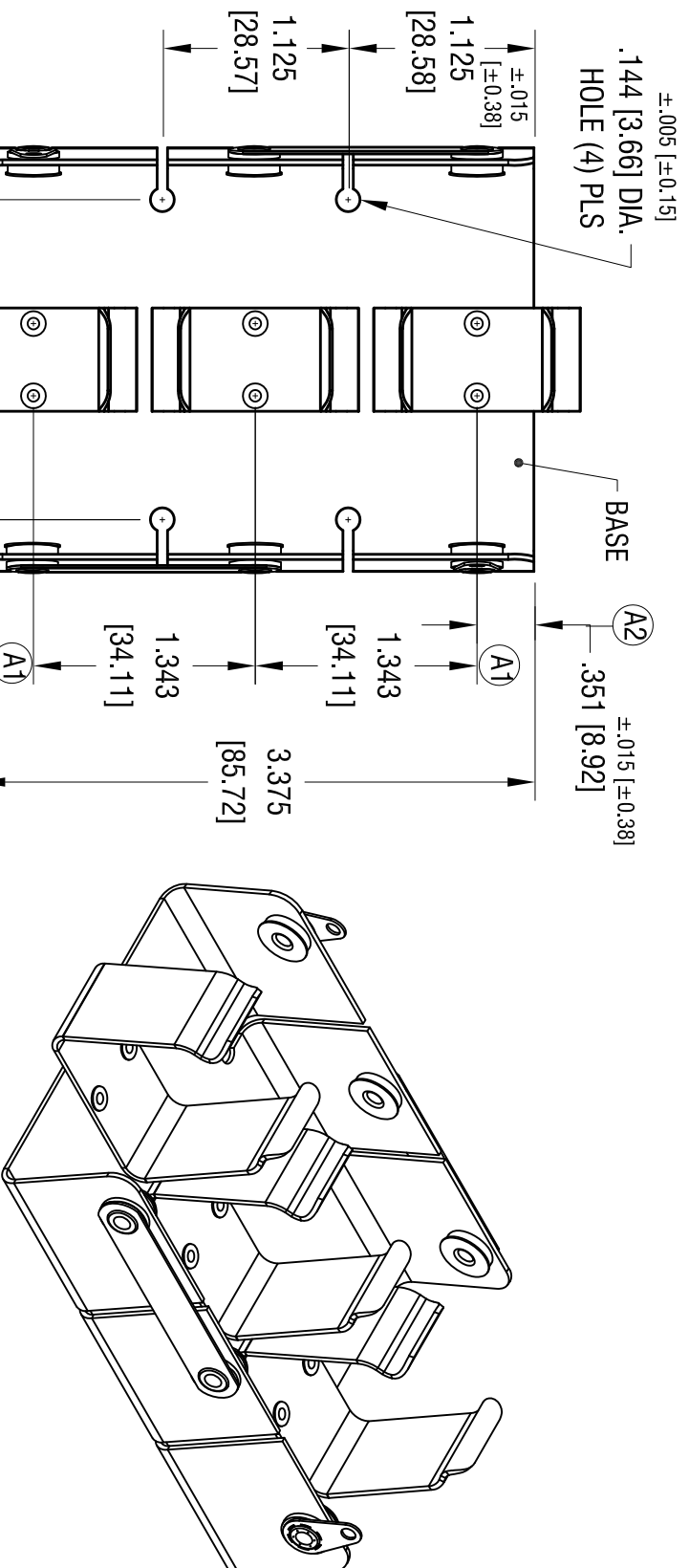


DATE	DESCRIPTION	REV.
5.11.16	CHANGE AS PER ECN 16-056	A
(A1)	WAS 1.350, (A2) WAS 337	



- NOTES:
1. BASE: MAT'L - .032 [.81] THK ALUMINUM
  2. CLIP: MAT'L - .032 [.81] THK ALUMINUM
  3. SOLDER LUG: MAT'L - BRASS  
FINISH - TIN PLATE
  4. JUMPER: MAT'L - BRASS  
FINISH - TIN PLATE

<p><b>KEYSTONE ELECTRONICS CORP.</b>  <a href="http://www.keyelco.com">www.keyelco.com</a> • ASTORIA, N.Y. 11105-2017 • Tel (718) 956-8900</p>			
PART NAME			
BATTERY HOLDER, (3) 'D' CELLS			
MATERIAL			
AS NOTED			
FINISH			
AS NOTED			
TOLERANCES	INCH	[MM]	CODE
DECIMAL	± .010	[± 0.25]	C
ANGULAR	± 1°		
UNLESS OTHERWISE SPECIFIED			
DRN BY	BOONE	DATE	7.16.07
APP'D	LN	SCALE	.9X
DWG NO.		153	

THIS DOCUMENT IS THE PROPERTY OF KEYSTONE ELECTRONICS CORP. AND SHALL NOT BE REPRODUCED, DISTRIBUTED OR USED AS A BASIS FOR MANUFACTURE WITHOUT PRIOR WRITTEN PERMISSION FROM KEYSTONE ELECTRONICS CORP.

# Mouser Electronics

Authorized Distributor

Click to View Pricing, Inventory, Delivery & Lifecycle Information:

[Keystone Electronics:](#)

[153](#)