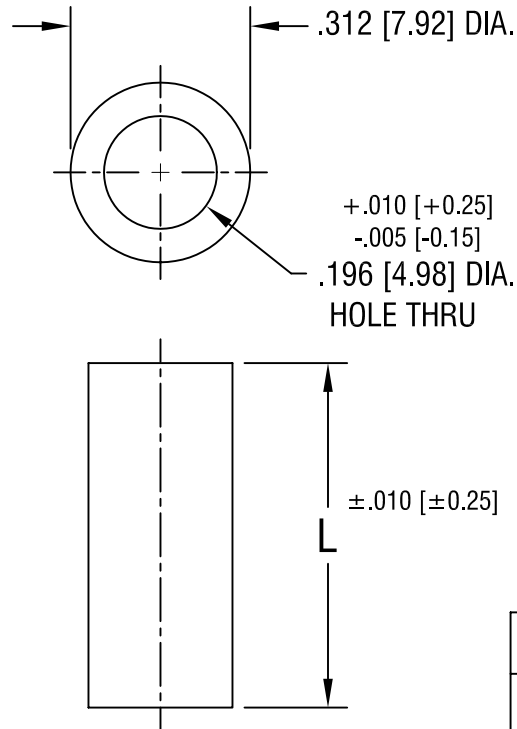


THIS DOCUMENT IS THE PROPERTY OF
KEYSTONE ELECTRONICS CORP. AND
SHALL NOT BE REPRODUCED, DISTRIBUTED
OR USED AS A BASIS FOR MANUFACTURE
WITHOUT PRIOR WRITTEN PERMISSION
FROM KEYSTONE ELECTRONICS CORP.



PART NO.	'L' DIM.
453	.250 [6.35]
454	.375 [9.52]
455	.500 [12.70]
456	.750 [19.05]
457	1.000 [25.4]
458	1.500 [30.48]
459	2.000 [50.80]

KEYSTONE ELECTRONICS CORP.			
ASTORIA, N.Y. 11105-2017			
PART NAME			
CLEAR THRU-HOLE SPACER			
MATERIAL			
PHENOLIC			
FINISH		DRN BY	DATE
-		BOONE	12.8.97
		APPD	SCALE
		LN	3X
TOLERANCES	INCH [MM]	CODE	DWG NO.
DECIMAL	± .005 [± 0.15]	C/M	453-459
ANGULAR	± 1°		
UNLESS OTHERWISE SPECIFIED			

12.27.01	CHANGE AS PER ECN 01-107	A
DATE	DESCRIPTION	REV.

Mouser Electronics

Authorized Distributor

Click to View Pricing, Inventory, Delivery & Lifecycle Information:

[Keystone Electronics:](#)

[455](#)