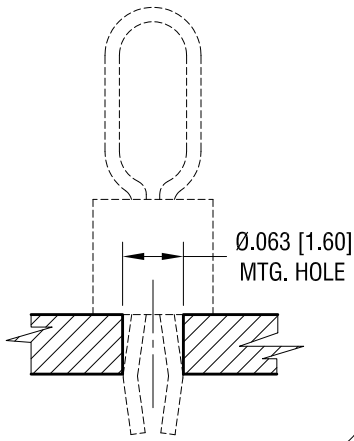
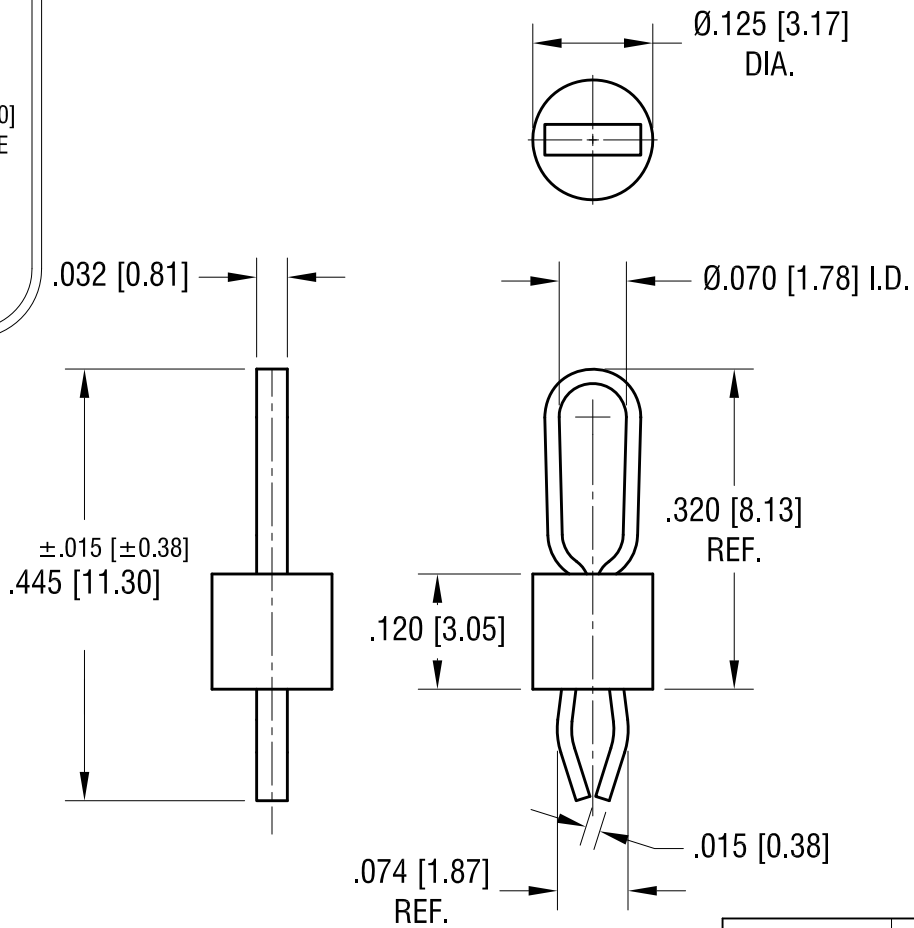


THIS DOCUMENT IS THE PROPERTY OF
KEYSTONE ELECTRONICS CORP. AND
SHALL NOT BE REPRODUCED, DISTRIBUTED
OR USED AS A BASIS FOR MANUFACTURE
WITHOUT PRIOR WRITTEN PERMISSION
FROM KEYSTONE ELECTRONICS CORP.

MTG. DETAIL



ACTUAL SIZE



NOTES:

- 1. TERMINAL:
MAT'L - PHOSPHOR BRONZE WIRE
- BASE:
MAT'L - HEAT RESISTANT NYLON 46

PART NO.	BASE COLOR
5285	BROWN
5286	GREEN
5287	BLUE
5288	GREY
5289	PURPLE

KEYSTONE ELECTRONICS CORP.
www.keyelco.com • NEW HYDE PARK, NY 11040 • Tel (516) 328-7500

PART NAME: **PC TEST POINT - MULTIPURPOSE**

MATERIAL: **AS NOTED**

FINISH: MATTE TIN PLATE	DRN BY: NT	DATE: 11.06.19
	APP'D: RH	SCALE: 5X

TOLERANCES INCH [MM]
DECIMAL ± .005 [± 0.13]
ANGULAR ± 1°
UNLESS OTHERWISE SPECIFIED

CODE: **C**

DWG NO.: **5285 - 5289**

DATE	DESCRIPTION	REV.

Mouser Electronics

Authorized Distributor

Click to View Pricing, Inventory, Delivery & Lifecycle Information:

[Keystone Electronics:](#)

[5285](#)