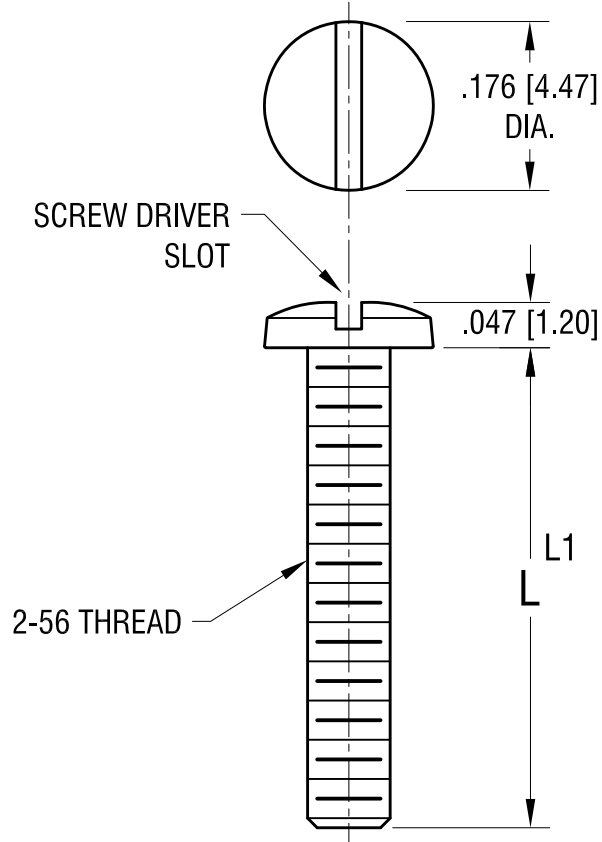


THIS DOCUMENT IS THE PROPERTY OF
KEYSTONE ELECTRONICS CORP. AND
SHALL NOT BE REPRODUCED, DISTRIBUTED
OR USED AS A BASIS FOR MANUFACTURE
WITHOUT PRIOR WRITTEN PERMISSION
FROM KEYSTONE ELECTRONICS CORP.



| PART NO. | 'L' DIM. | 'L1' TOL. +0.0 |
|----------|--------------|----------------|
| 9455 | .250 [6.25] | -.020 [-0.50] |
| 9456 | .500 [12.70] | |
| 9457 | .750 [19.05] | -.030 [-0.76] |

| | | | |
|--|-----------------|--------|--------------------|
| KEYSTONE ELECTRONICS CORP. | | | |
| www.keyelco.com • NEW HYDE PARK, NY 11040 • Tel (516) 328-7500 | | | |
| PART NAME | | | |
| 2-56 BINDING HEAD SCREW | | | |
| MATERIAL | | | |
| STELL | | | |
| FINISH | | DRN BY | DATE |
| ZINC PLATE | | BOONE | 3.01.04 |
| | | APP'D | SCALE |
| | | LN | 5X |
| TOLERANCES | INCH [MM] | CODE | DWG NO. |
| DECIMAL | ± .010 [± 0.25] | C | 9455 - 9457 |
| ANGULAR | ± 1° | | |
| UNLESS OTHERWISE SPECIFIED | | | |

| DATE | DESCRIPTION | REV. |
|------|-------------|------|
| | | |

Mouser Electronics

Authorized Distributor

Click to View Pricing, Inventory, Delivery & Lifecycle Information:

[Keystone Electronics:](#)

[9456](#)